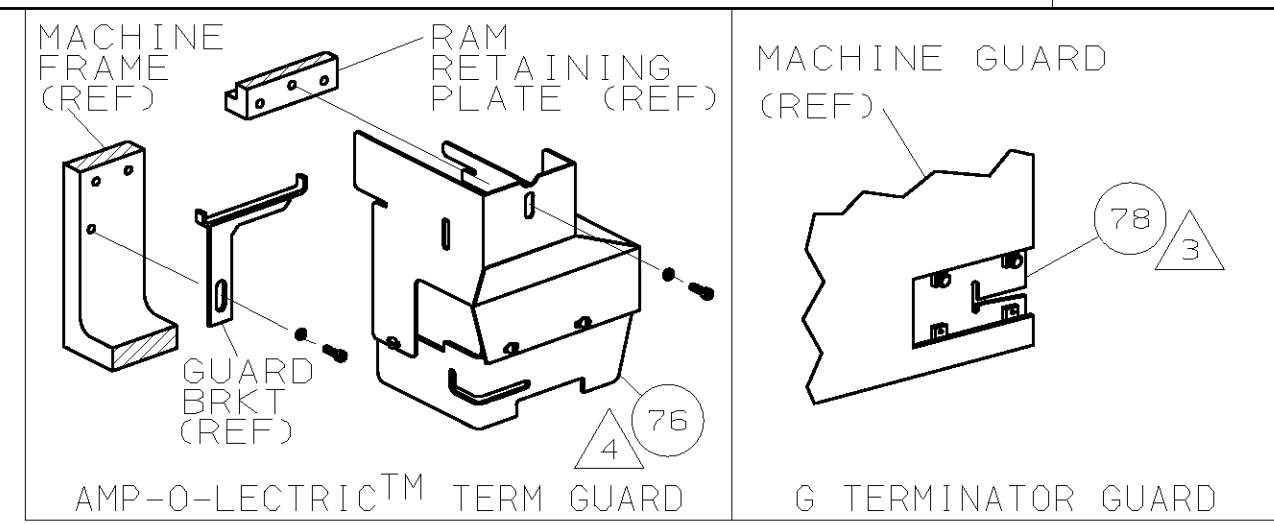


PART NUMBER	REV	FIRST USED
680129-2	F	565435-1

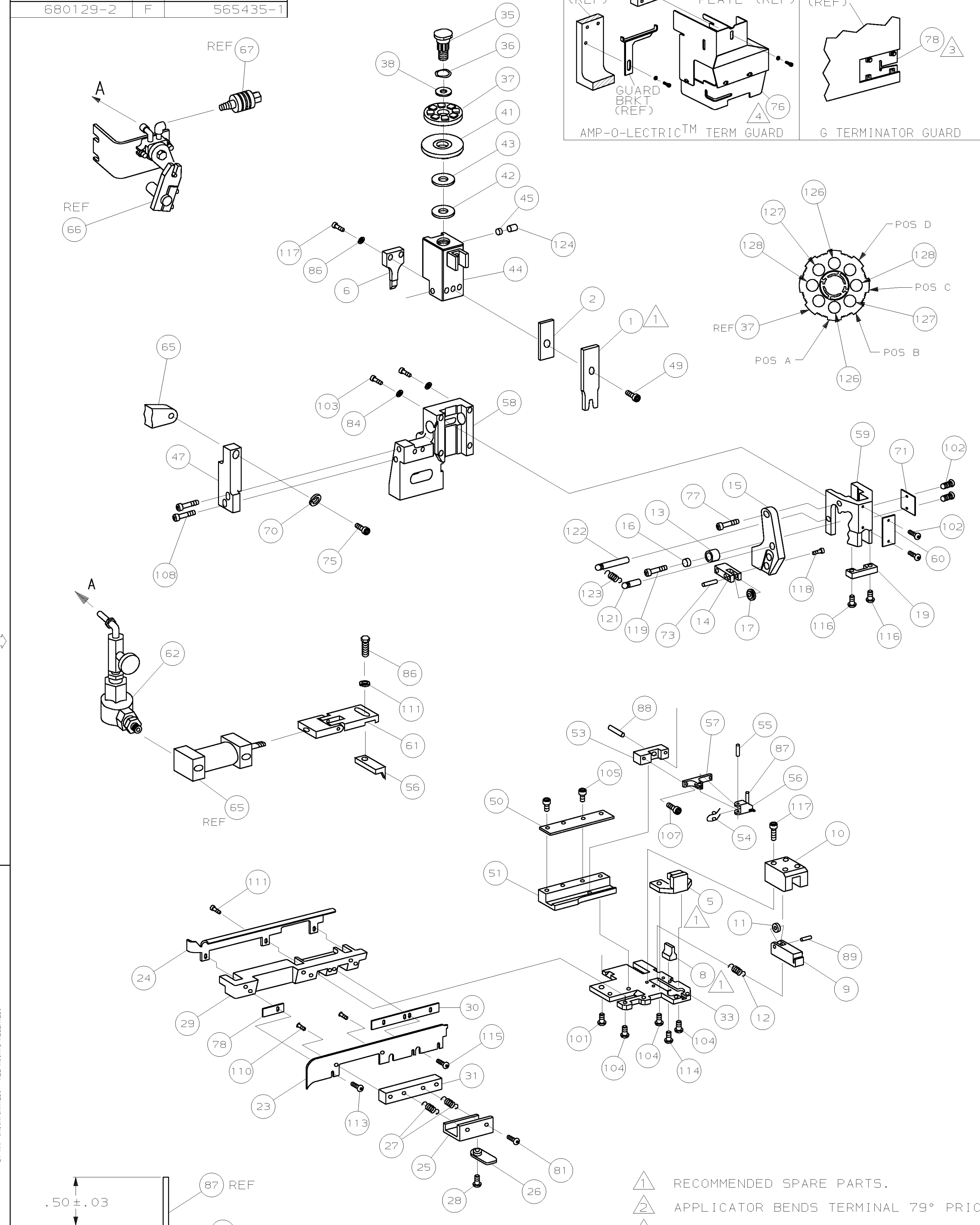


TERMINAL NAME: .250 REVERSIBLE FASTON™ FLAG		CRIMPING DATA	
PAD LTR	CRIMP HEIGHT	WIRE SIZE	
A	.075 ±.002 [1.9 ±0.05mm]	14	
B	.067 ±.002 [1.7 ±0.05mm]	16	
C	.062 ±.002 [1.57 ±0.05mm]	18	
D	NOT USED	USED	
CRIMP	SIZE	TYPE	RANGE
WIRE	.120 [3.05mm]	F	18-14
INSUL	-	-	-

WIRE STRIP LENGTH	TERM APPL	SPEC	FEED	APPL INSTRUCTION	SET UP GAGE	LAYOUT
-	NONE	-	.805	-	-	-

-1	BENCH MODEL K	AIRFEED
----	---------------	---------

THIS DRAWING IS A CONTROLLED DOCUMENT.



QTY	REV	TERMINAL	DESCRIPTION	ITEM NO
2	-	C	8-354778-5 PIN, WIRE DISC (.2920)C	129
2	-	C	7-354778-4 PIN, WIRE DISC (.2865)B	128
2	-	C	5-354778-6 PIN, WIRE DISC (.2775)A	126
1	-	A	2-21000-0 SCR,SHC (6-32x.50)CAM	125
1	-	A	21009-2 SCR,SKT 5ET (1/4-20x.25 LW)RAM	124
1	-	A	22288-6 SPRING, CAM RETURN	123
1	-	A	3-22183-9 PIN,GROOVED ø.188 X 1.25	122
1	-	A	3-22183-7 PIN,GROOVED ø.188 X .88	121
1	-	A	21909-6 SCR,SHC 1/4-28 x 1.00	119
2	-	A	2-21002-2 SCR,BHC 8-32 x .50	118
6	-	A	2-21000-9 SCR,SHC 8-32 x .75	117
2	-	A	1-21002-8 SCR,BHC5 6-32 x .50	116
2	-	A	1-21002-6 SCR,BHC 6-32 x .25	115
1	-	A	22733-8 SCR,BHC (8-32x.38 LW)ANVIL	114
3	-	A	1-21002-7 SCR,BHC 6-32 x .38	113
3	-	A	1-21000-3 SCR,BHC 4-40 x .25	111
2	-	A	1-21003-9 SCR,F5HC 6-32 x .38	110
4	-	A	3-21000-9 SCR,SHC 10-32 x 1.00	108
2	-	A	2-21000-0 SCR,SHC 6-32 x .38	107
4	-	A	2-21000-6 SCR,SHC 8-32 x .38	105
4	-	A	2-21002-1 SCR,B5HC 8-32 x .38	104
4	-	A	4-21000-1 SCR,SHC, 10-32 x 1.50	103
4	-	A	21017-2 SCR,DRIVE(2x.19) ID PLATE	102
2	-	A	3-21002-4 SCR,B5HC 1/4-10 x .62	101
1	-	A	9-21028-0 PIN,DOWEL ø.125 x .25	90
1	-	A	21030-2 PIN,DOWEL ø.125 x .50	89
1	-	A	1-21919-7 PIN,DOWEL ø.156 x .50	88
1	-	A	1-21028-4 PIN,SLT SPR ø.062x 1.00	87
2	-	A	21024-4 WASHER, LOCK 8	86
6	-	A	21024-5 WASHER, LOCK 10	84
1	-	A	4-21006-0 SCR,50C SET 8-32 x .25	83
2	-	A	3-21002-0 SCR, BHC(10-32x.88) DRAG	81
1	-	A	224335-1 RAIL, STRIP, LEFT	78
1	-	A	21005-9 SCR, SHLDR	77
1	-	A	1-455755-5 GUARD	76
1	-	A	3-21001-5 SCR,SHC (3/8-16X1.00)AIR FEED	75
1	-	A	21030-2 PIN, BEND ROLLER	73
1	-	C	690701-2 PLATE, IDENTIFICATION	71

QTY	REV	TERMINAL	DESCRIPTION	ITEM NO
1	-	A	21024-8 WASHER, LOCK 3/8	70
1	-	B	692613-1 ASSEMBLY, REEL BRACKET	69
1	-	B	461062-1 FEED FINGER ASSY	68
REF	-	A	24042-2 VALVE, SHUT OFF	67
REF	-	C	692655-6 AIR FEED VALVE ASSY	66
1	-	B	461065-1 AIR FEED ASSY (1 INCH)	65
2	-	A	3-21000-7 SCR,SHC(10-32x.75)AIR ASSY	64
1	-	C	692655-5 AIR FEED VALVE ASSY	62
1	-	B	461062-1 FEED FINGER ASSY	61
1	-	B	453615-1 PLATE, IDENTIFICATION	60
1	-	B	217609-1 CAP, RAM	59
1	-	D	454935-2 HOUSING	58
1	-	B	454925-1 MOUNT, FEED PAWL	57
1	-	B	217617-1 PAWL, FEED	56
1	-	B	5-21028-2 PIN, FEED FINGER	55
1	-	B	691499-1 SPRING, FEED FINGER	54
1	-	B	217741-1 SLIDE, FEED	53
1	-	B	217606-1 BLOCK, FEED SLIDE	51
1	-	B	217605-1 PLATE, FEED SLIDE COVER	50
1	-	A	7-21002-8 BOLT, CRIMPER	49
1	-	A3	1424356-1 MOUNT, FEED BRACKET	47
1	-	A	690191-1 PLUG, NYLON	45
1	-	C	454963-2 RAM	44
1	-	A	690125-1 WASHER, LAMINATED	43
1	-	A	690124-4 WASHER, RAM	42
1	-	A	690223-2 DISC, SPACER	41
1	-	C	986950-1 WASHER, FLAT PRECISION	38
1	-	D	354777-1 WIRE DISC, PLASTIC	37
1	-	A	22480-5 WASHER, SPRING	36
1	-	B	690212-1 POST, RAM	35
1	-	D	217620-1 PLATE, BASE	33
1	-	B	217534-1 MATE, DRAG	31
1	-	B	217552-1 RAIL, STRIP	30
1	-	C	217604-1 PLATE, STRIP GUIDE	29
1	-	A	22353-8 SCREW, SHLDR	28
2	-	A	1-22284-3 SPRING, DRAG	27
1	-	B	240793-1 LEVEL, DRAG RELEASE	26
1	-	B	240792-1 DRAG, TERMINAL	25
1	-	B	217553-1 GUIDE,STRIP (REAR)	24
1	-	B	217535-1 GUIDE,STRIP (FRONT)	23
1	-	A	217541-1 STRIPPER	20
1	-	A	250098-1 ROLLER, BEND	17
1	-	A	22498-4 BEARING, BALL	16
1	-	A	217608-1 CAM,BEND	15
1	-	A	454954-1 CLEVIS, BEND ROLLER	14
1	-	A	454949-1 SPACER, BEARING	13
1	-	A	5-22280-9 SPRING, SHEAR	12
1	-	B	691896-1 ROLLER, SHEAR	11
1	-	B	217462-1 HOLDER, SHEAR (FRONT)	10
1	-	C	217463-1 SHEAR, FLOAT (FRONT)	9
1	-	C	217464-1 ANVIL	8
1	-	B	217629-1 DEPRESSOR, SHEAR	6
1	-	C	217465-1 SHEAR, CARRIER	5
1	-	C	4-690407-2 SPACER, CRIMPER	2
1	-	C	1-453807-0 CRIMPER, WIRE	1

QTY	REV	TERMINAL	DESCRIPTION	ITEM NO	
-2	U/M	DWG SIZE	PART NO	DESCRIPTION	ITEM NO

QTY	REV	TERMINAL	DESCRIPTION	ITEM NO	
-2	U/M	DWG SIZE	PART NO	DESCRIPTION	ITEM NO

F1	ECN	0150-0145-04	TE	2-04
F	-	-	CE	5-02
P	F	REVISION RECORD	APP	DATE

MATL	HT TR	FIN
-	-	-

DR M.YOUNGER	5-7-02	APP T.ELBIN	 AMP Incorporated Harrisburg, PA 17105-3608
CHK C.ERISMAN	REL		
NAME SIDE FEED HDM APPLICATOR			MACHINE REF
SCALE	DWG NO	680129	SHEET 1 OF 1 REV F1

LOC A
DIST 66

DETAIL A

- 1 RECOMMENDED SPARE PARTS.
- 2 APPLICATOR BENDS TERMINAL 79° PRIOR TO CRIMPING.
- 3 SEE DETAIL A FOR ASSEMBLY INFORMATION.
- 4 GUARD MUST BE IN PLACE WHEN OPERATING APPLICATOR IN A BENCH MACHINE.
- 5 ITEM NOT SHOWN ON ASSEMBLY.