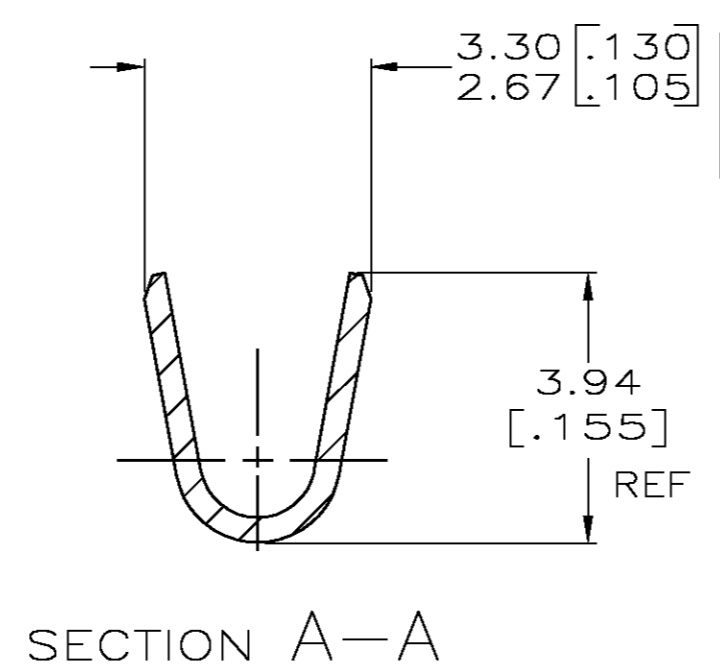
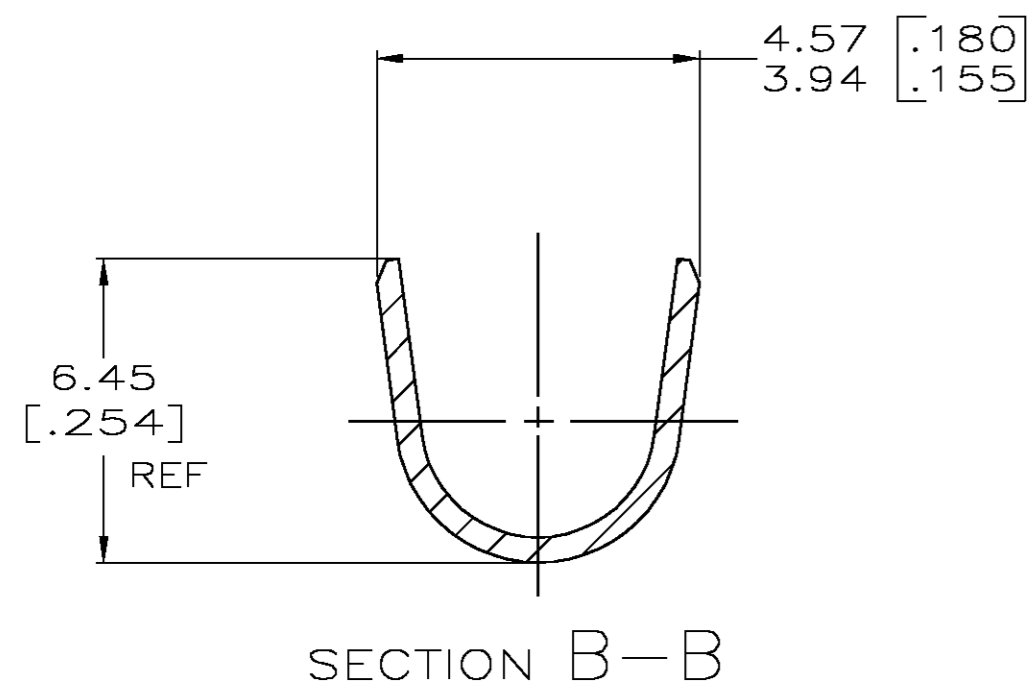
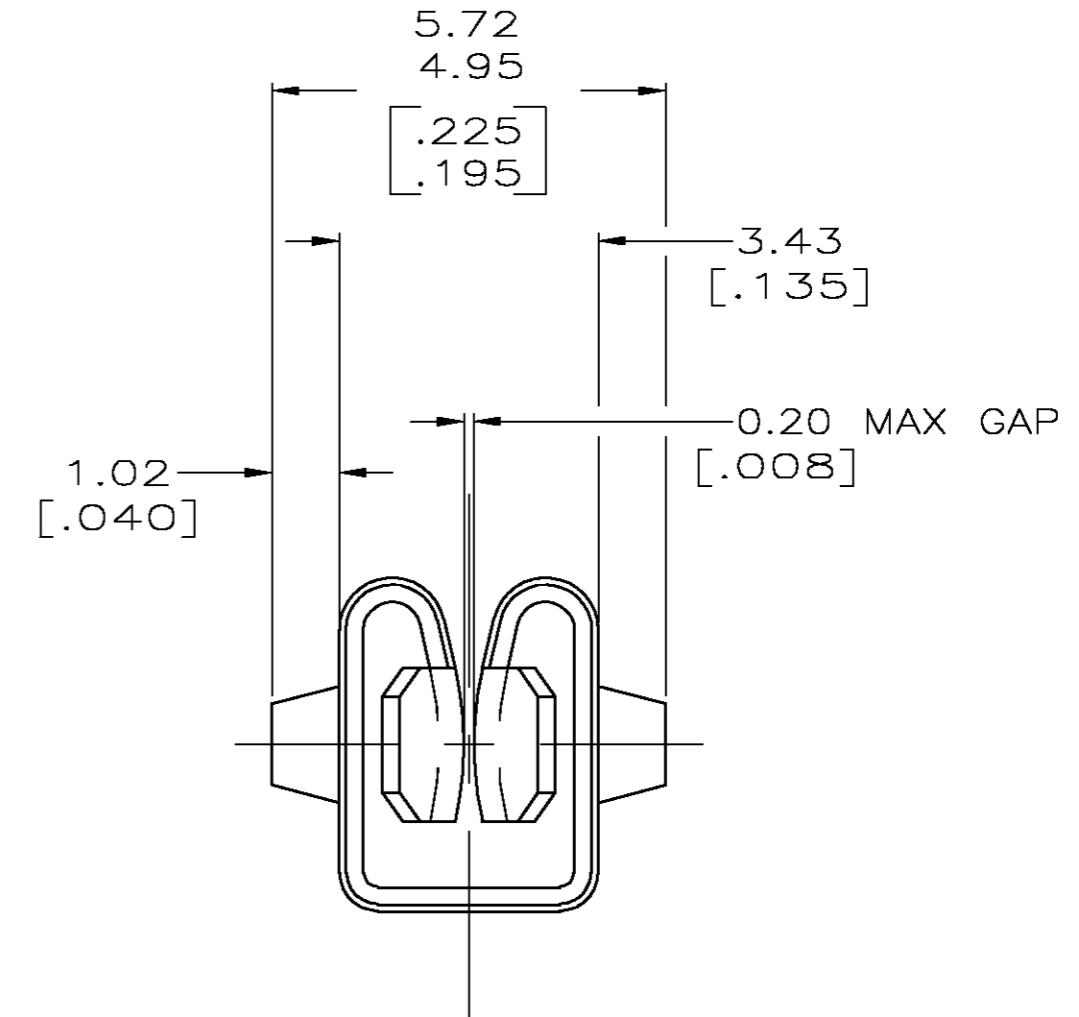
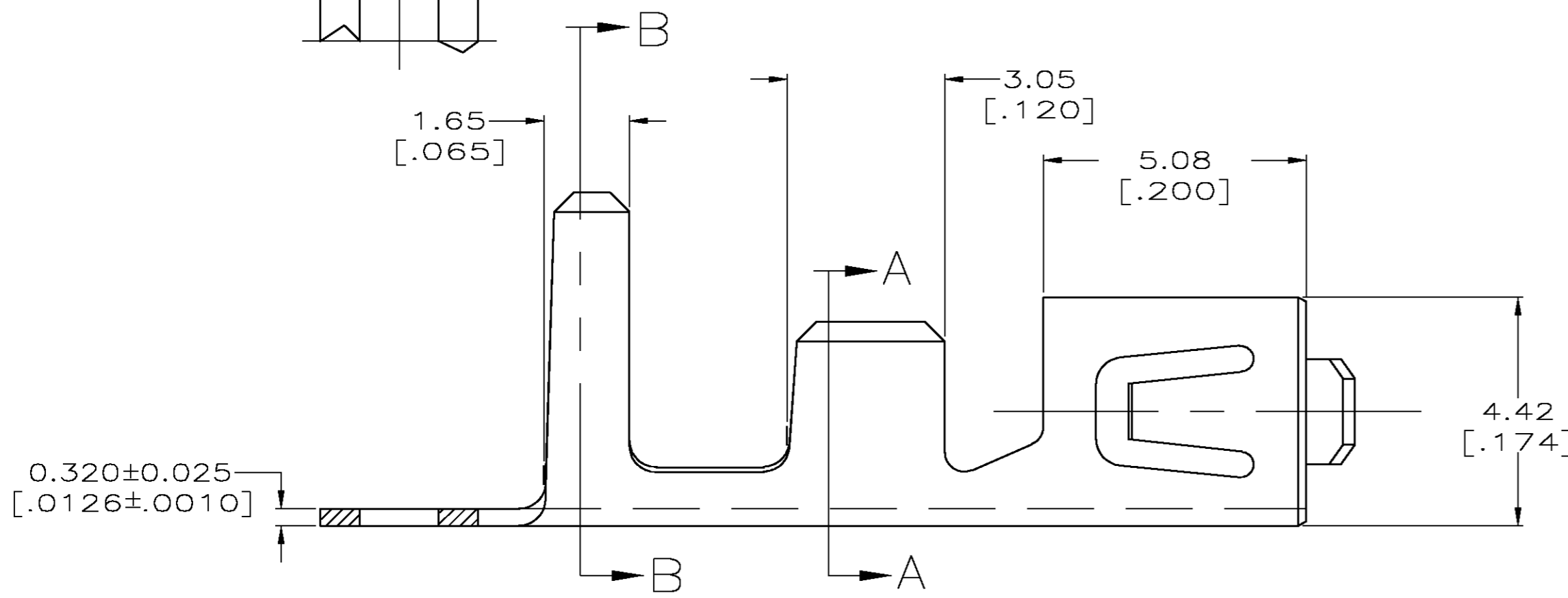
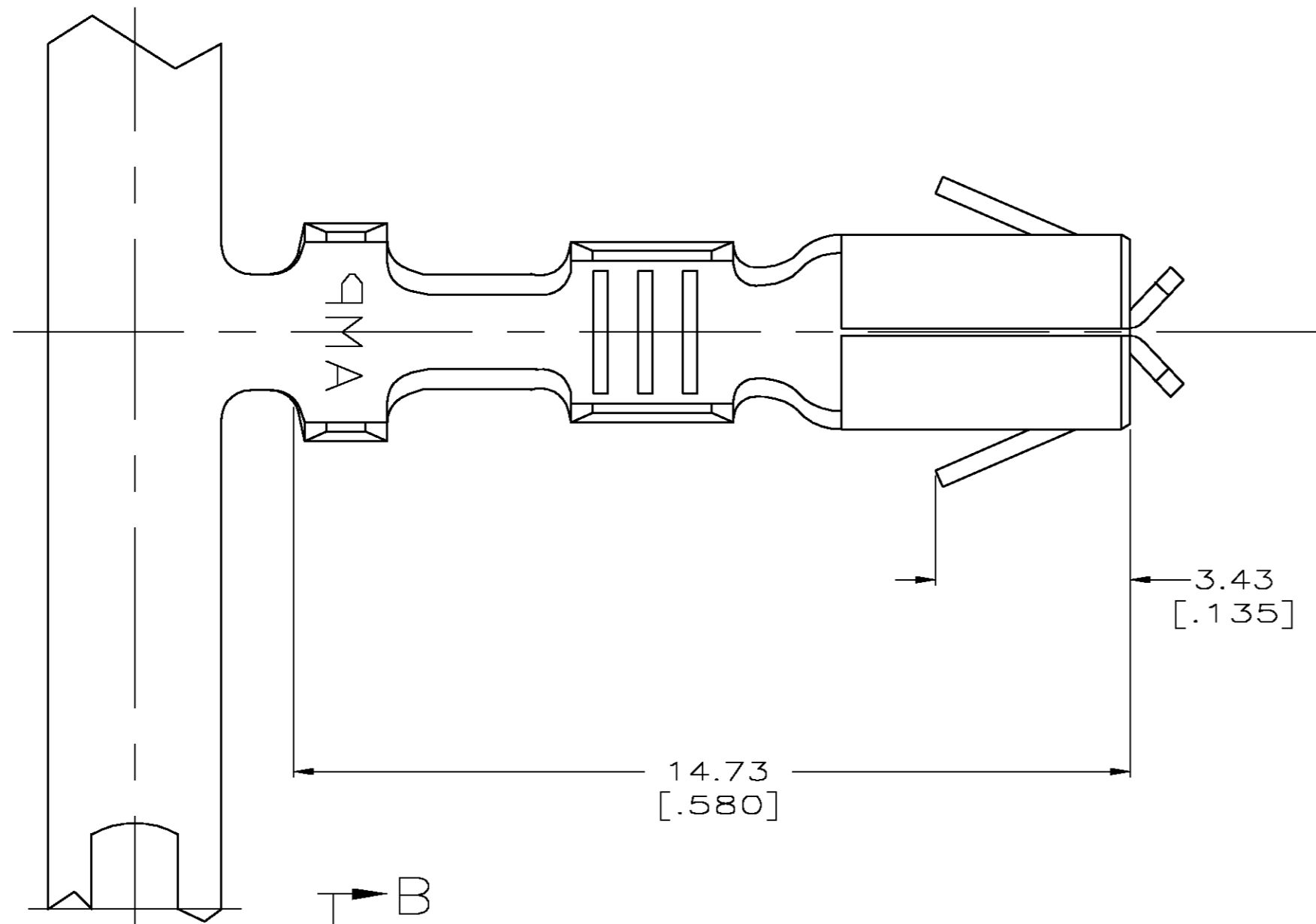


THIS DRAWING IS UNPUBLISHED. RELEASED FOR PUBLICATION
 © COPYRIGHT 2003 BY TYCO ELECTRONICS CORPORATION. ALL RIGHTS RESERVED.

LOC	DIST	REVISIONS			
P	LTR	DESCRIPTION	DATE	DWN	APVD
AF	50	P	REV PER 0G3A-0761-03	08DEC03	JR DD

- 1 CONTINUOUS STRIP ON REELS.
- 2 TERMINAL TO ACCEPT A 0.51 [.020] X 3.18 [.125] TAB.
- 3 0.000381 [.000015] MIN PRE-TIN PLATE.
- 4 2 WIRES - #18 AWG; 2 WIRES - #16 AWG.



OBSOLETE	NONE	SPRING COPPER	2 WIRES 3.18 [.125] MAX	4	61604-4
OBSOLETE	3	SPRING COPPER	2 WIRES 3.18 [.125] MAX	4	61604-3
OBSOLETE	NONE	H06 BRASS	2 WIRES 3.18 [.125] MAX	4	61604-2
	3	H06 BRASS	2 WIRES 3.18 [.125] MAX	4	61604-1
FINISH	MATERIAL	INSULATION RANGE	WIRE RANGE	PART NUMBER	

THIS DRAWING IS A CONTROLLED DOCUMENT.

DWN	29APR2003	MICHAEL S. FEHER	Tyco Electronics Corporation Harrisburg, PA 17105-3608
CHK	29APR2003	DONALD F. DECKER	
APVD	29APR2003	DONALD F. DECKER	
PRODUCT SPEC	NAME		
APPLICATION SPEC	TERMINAL, TIMER CONNECTOR		RESTRICTED TO
WEIGHT	-	SIZE	A2
CUSTOMER DRAWING	SCALE	CAGE CODE	00779
	10:1	DRAWING NO	C=61604
		SHEET	1 OF 1
		REV	P