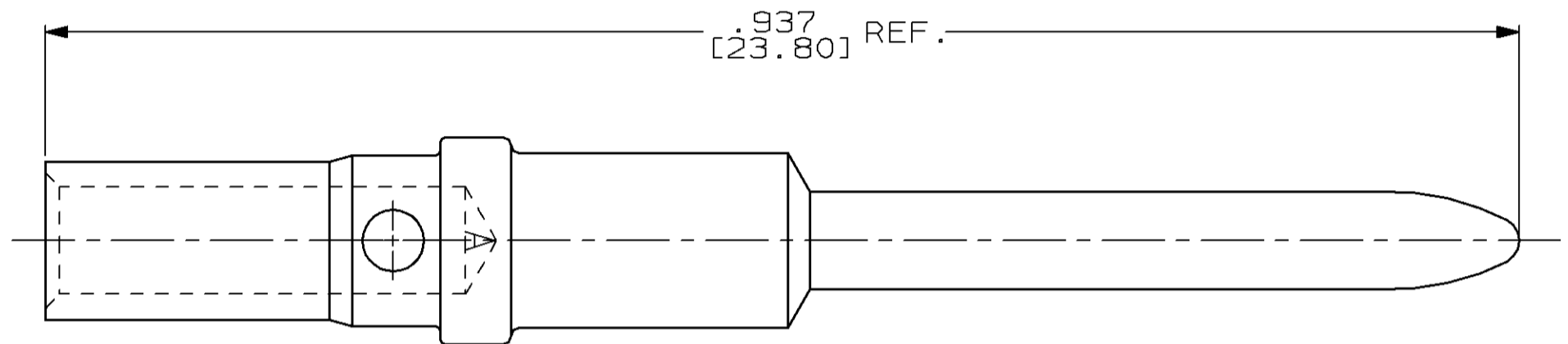
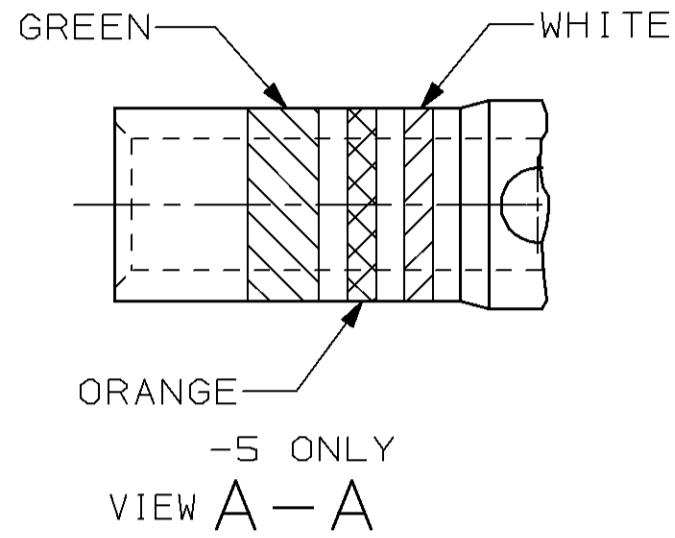


THIS DRAWING IS UNPUBLISHED. RELEASED FOR PUBLICATION
 BY AMP INCORPORATED. ALL RIGHTS RESERVED.

LOC	DIST	REVISIONS					
DF	AO	P	LTR	DESCRIPTION	DATE	DWN	APVD
		0		DRAW PER DR, 7-140F JB	12-05-97	JB	AS



1 MATERIAL: COPPER ALLOY PER MIL-C-39029.
 2 PER VIEW A - A

2	213122-5
NONE	213122-4
COLOR CODE	PART NUMBER

THIS DRAWING IS A CONTROLLED DOCUMENT.		DWN J. A. Baker 06-17-97	AMP Incorporated	
DIMENSIONS: In [mm]		CHK A. SHARPE 12-05-97	Harrisburg, PA 17105-3608	
TOLERANCES UNLESS OTHERWISE SPECIFIED:		APVD A. SHARPE 12-05-97	NAME	
0 PLC ±-	1 PLC ±-	PRODUCT SPEC	PIN CONTACT, SIZE 16, ARINC 600	
2 PLC ±.02 [0.51]	3 PLC ±.005 [0.13]	APPLICATION SPEC	SIZE A2	CAGE CODE 00779
4 PLC ±-	ANGLES ±-	WEIGHT -	DRAWING NO C=213122	RESTRICTED TO -
MATERIAL 3	FINISH 4	CUSTOMER DRAWING	SCALE 10:1	SHEET 1 OF 1
			REV 0	

213122

B

C

D

A