

## 3000 W photovoltaic converter for grid-connected applications

Data brief

### Features

- DC-DC input voltage: 200 V to 400 V
- DC-DC output voltage: 450 V
- DC-AC output voltage: 230 Vac
- Nominal output power: 3 kW
- DC-AC switching frequency: 17 kHz
- DC-DC switching frequency: 35 kHz
- Transformer turns ratio: 1.2
- Grid voltage: 230 V<sub>rms</sub> +/-20%
- Grid frequency: 50 Hz
- Power factor: above 10%; rated power > 0.9
- THD @ full load: < 5%
- RoHS compliant

### Description

Interest in photovoltaic (PV) applications has grown exponentially in recent years. As PV systems require an electronic interface to be connected to the grid or standalone loads, the PV market is increasingly appealing for many power electronics manufacturers.

The STEVAL-ISV002V2 demonstration board implements a conversion system for PV applications with the aim of achieving high efficiency and significant reduction in production costs. It consists of a high-frequency isolated input power section which performs the DC-DC conversion, and an inverter section capable of delivering sinusoidal current at 50 Hz to the grid.

The system operates with input voltages in the range of 200 V to 400 V, and is tied to the grid at 230 V<sub>rms</sub>, 50 Hz, through an LCL filter.

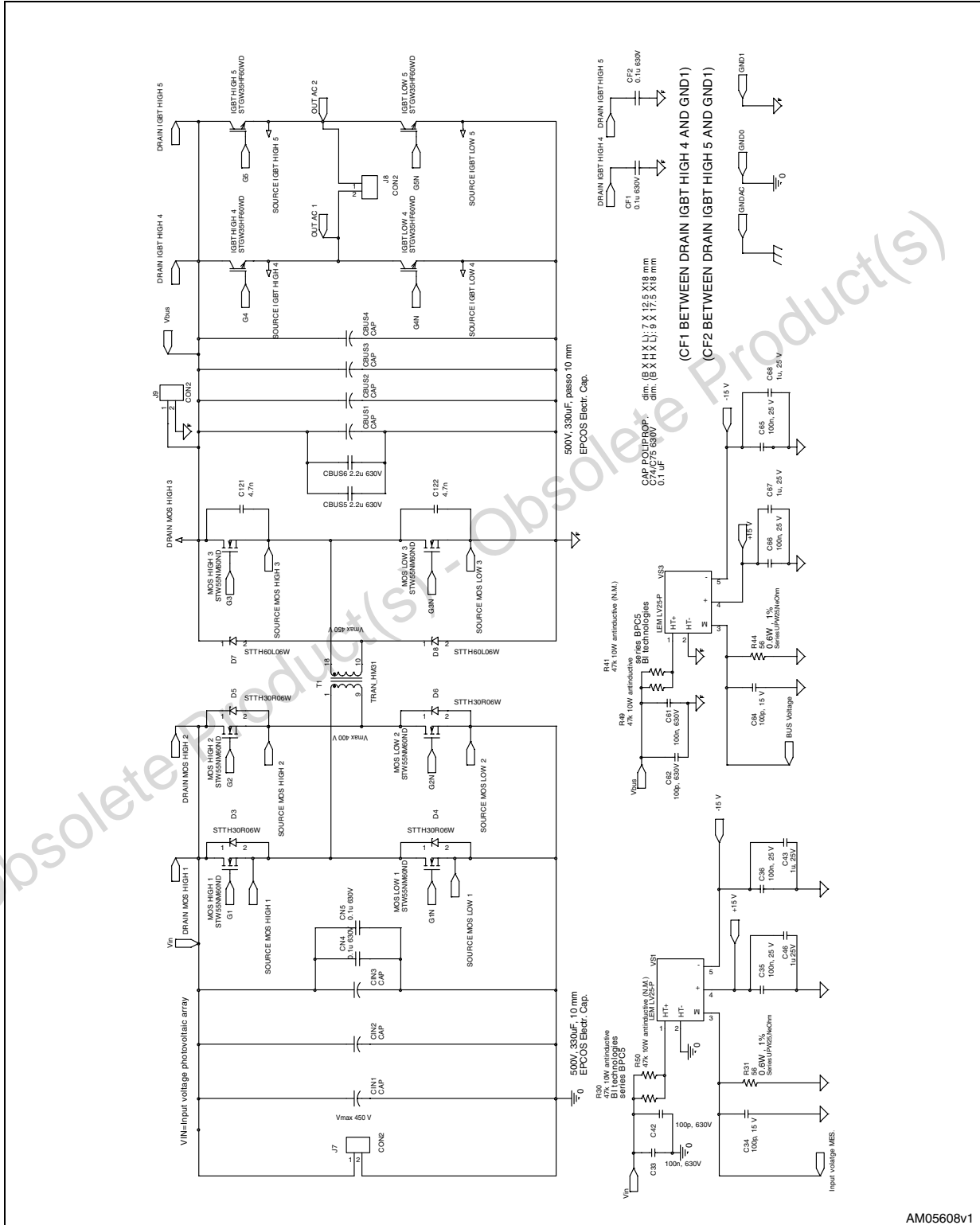
Other unique characteristics of the proposed converter are integration level, decoupled active and reactive power control and flexibility towards the source.



A fully digital control algorithm, including power management for grid-connected operation and MPPT (maximum power point tracking) algorithm, has been implemented on a dedicated control board, equipped with a latest-generation 32-bit (STM32) microcontroller.

# 1 Schematic diagrams

Figure 1. STEVAL-ISV002V2 power stage circuit schematic



AM05608v1



Figure 2. STEVAL-ISV002V2 output sensing and relay board schematic

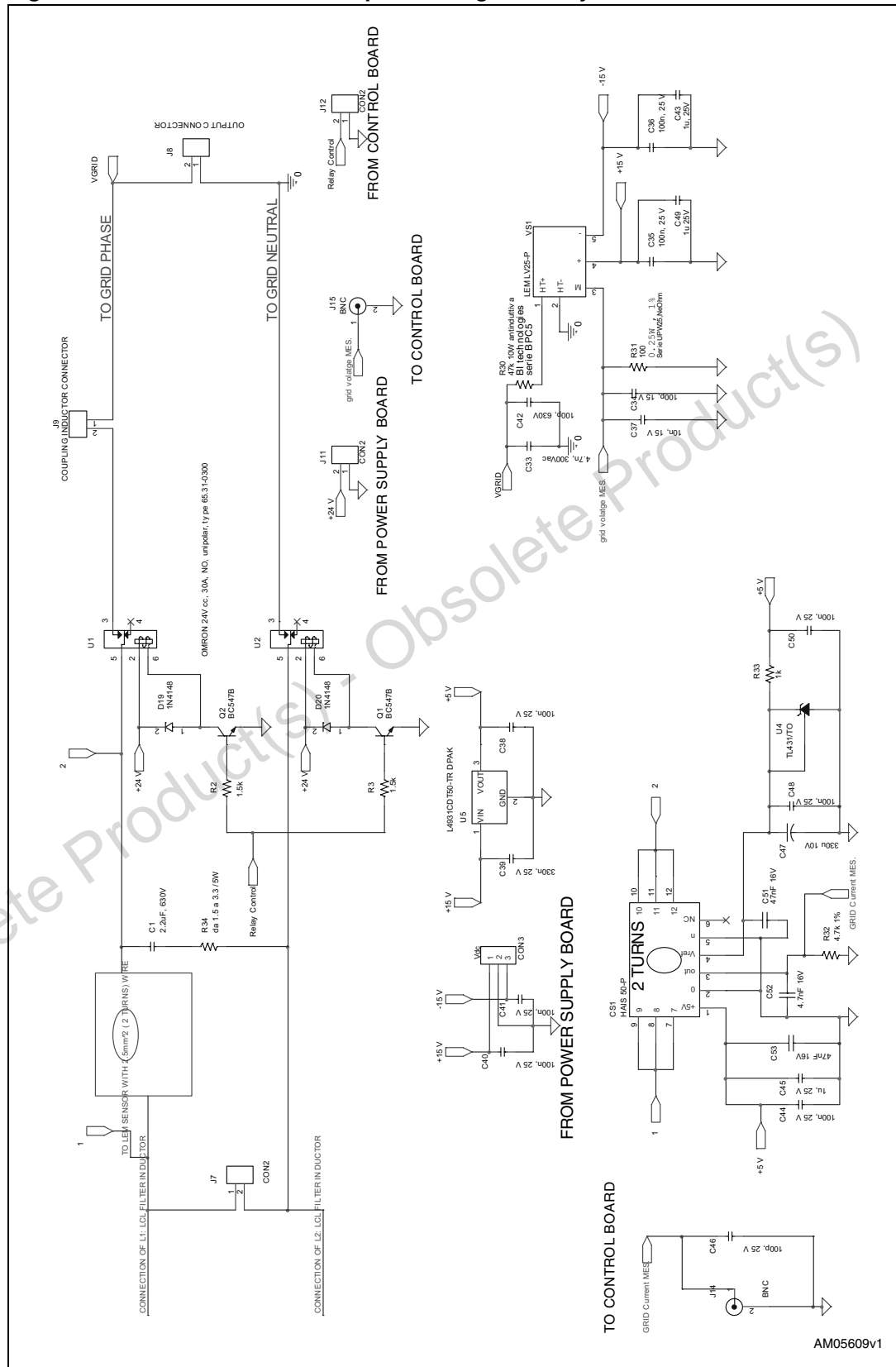


Figure 3. STEVAL-ISV002V2 AC voltage measurement circuit schematic

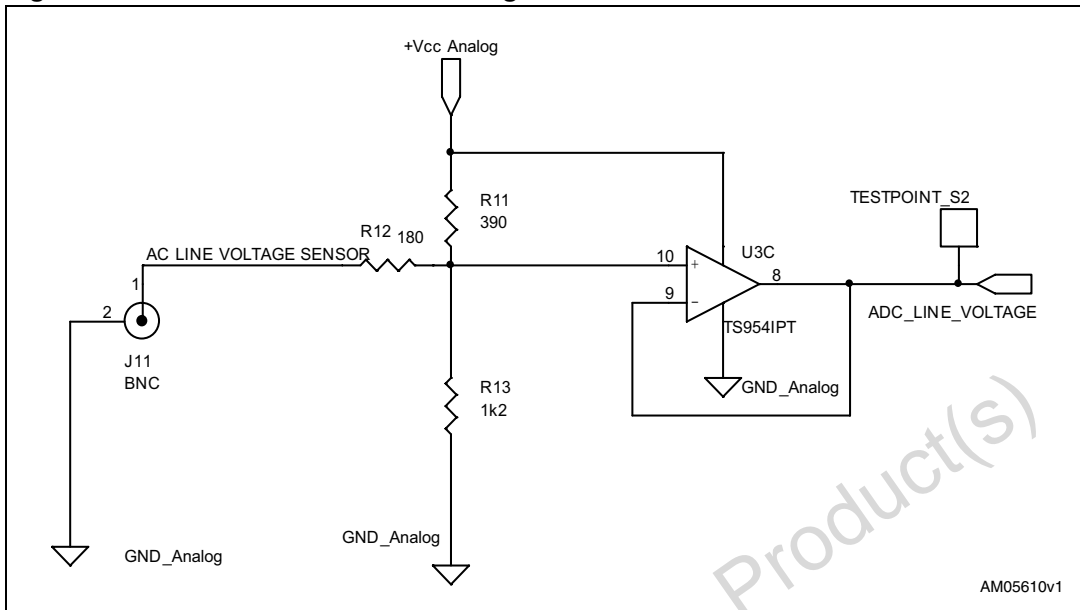


Figure 4. STEVAL-ISV002V2 line current conditioning circuit schematic

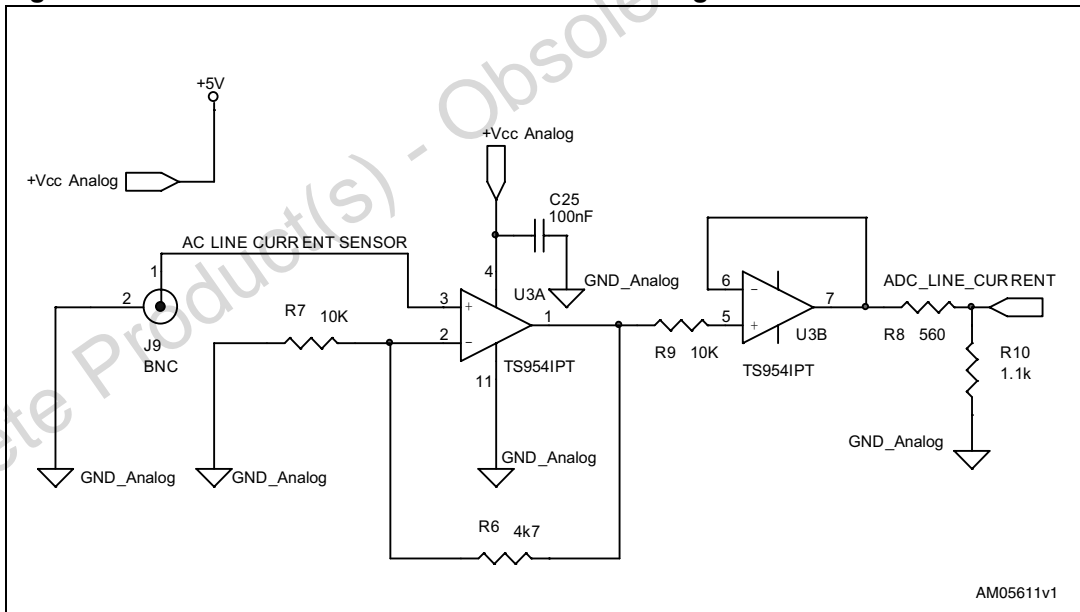


Figure 5. STM32 microcontroller circuit schematic

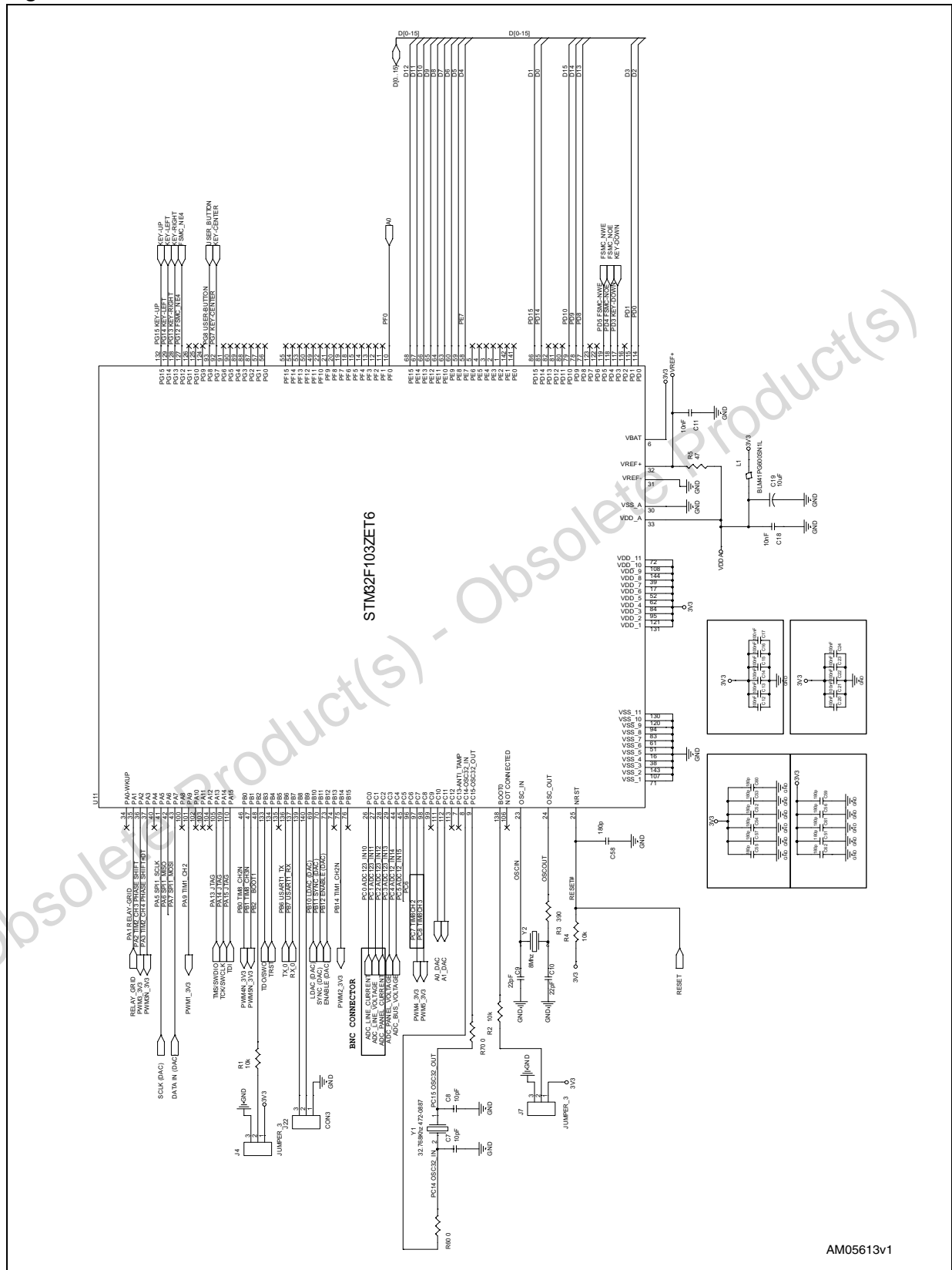


Figure 6. DC-DC converter driver circuit schematic

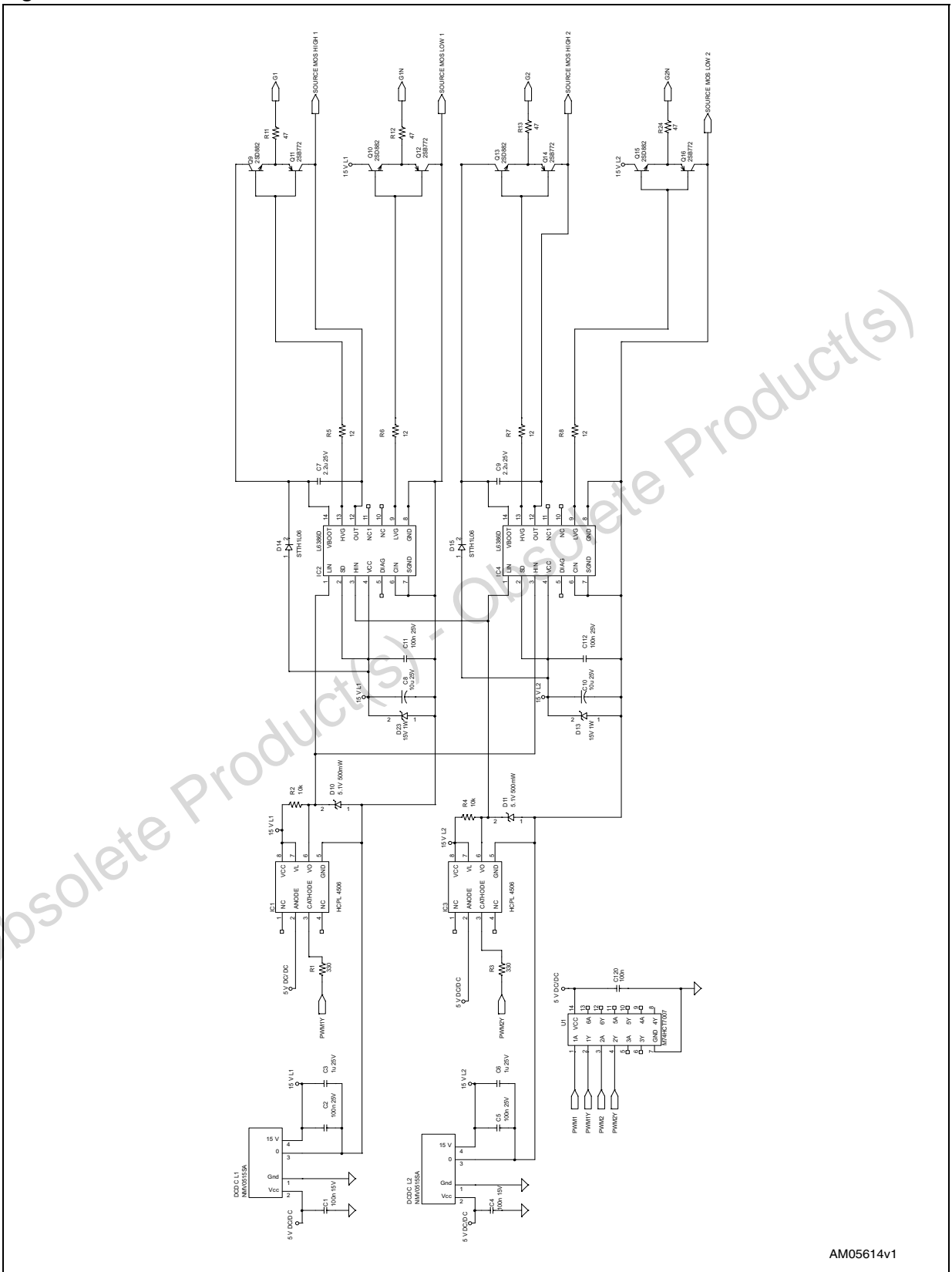
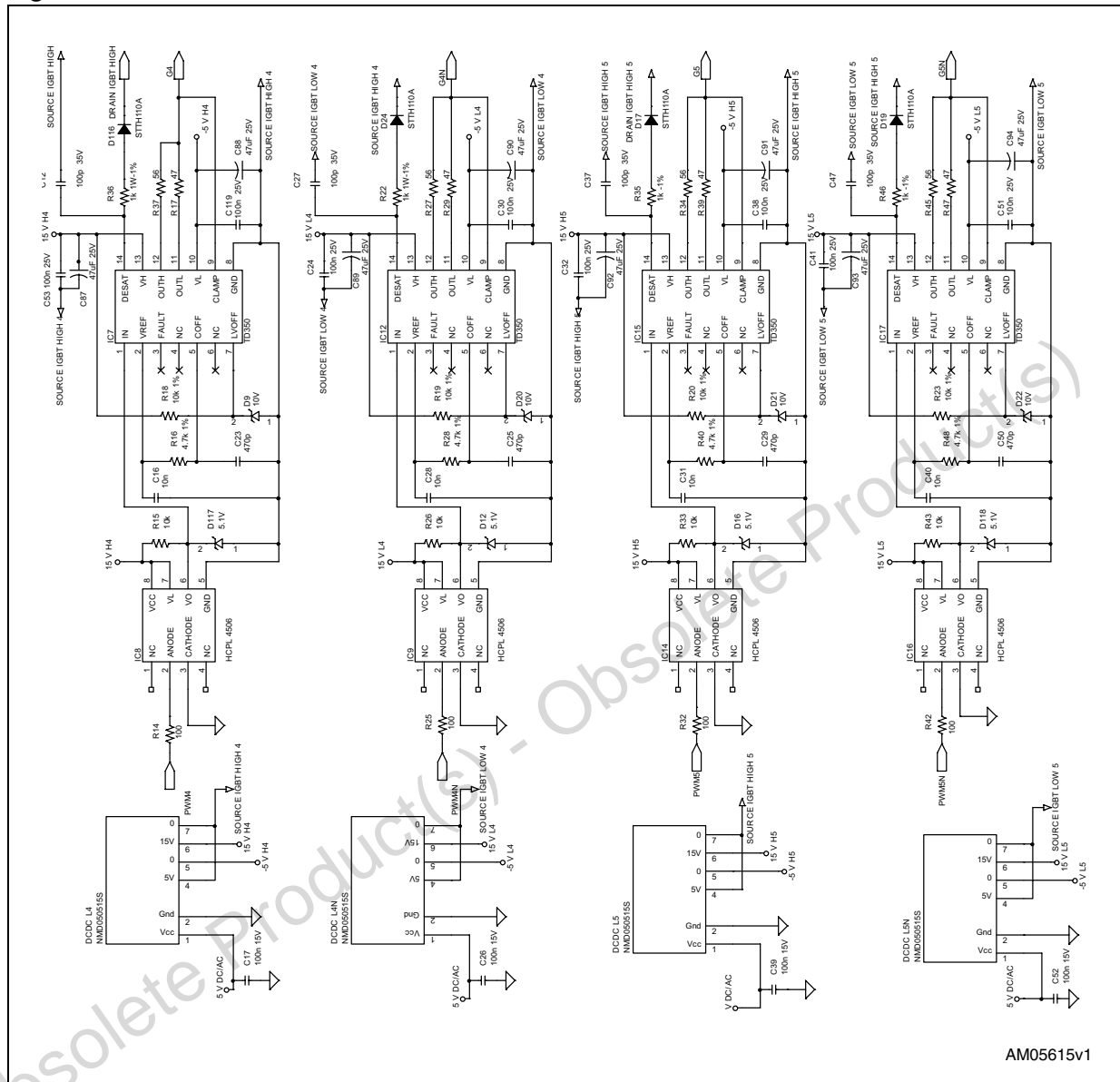


Figure 7. DC-AC converter driver circuit schematic



AM05615v1

Figure 8. 5 V, 1 A flyback converter with VIPER17HN schematic

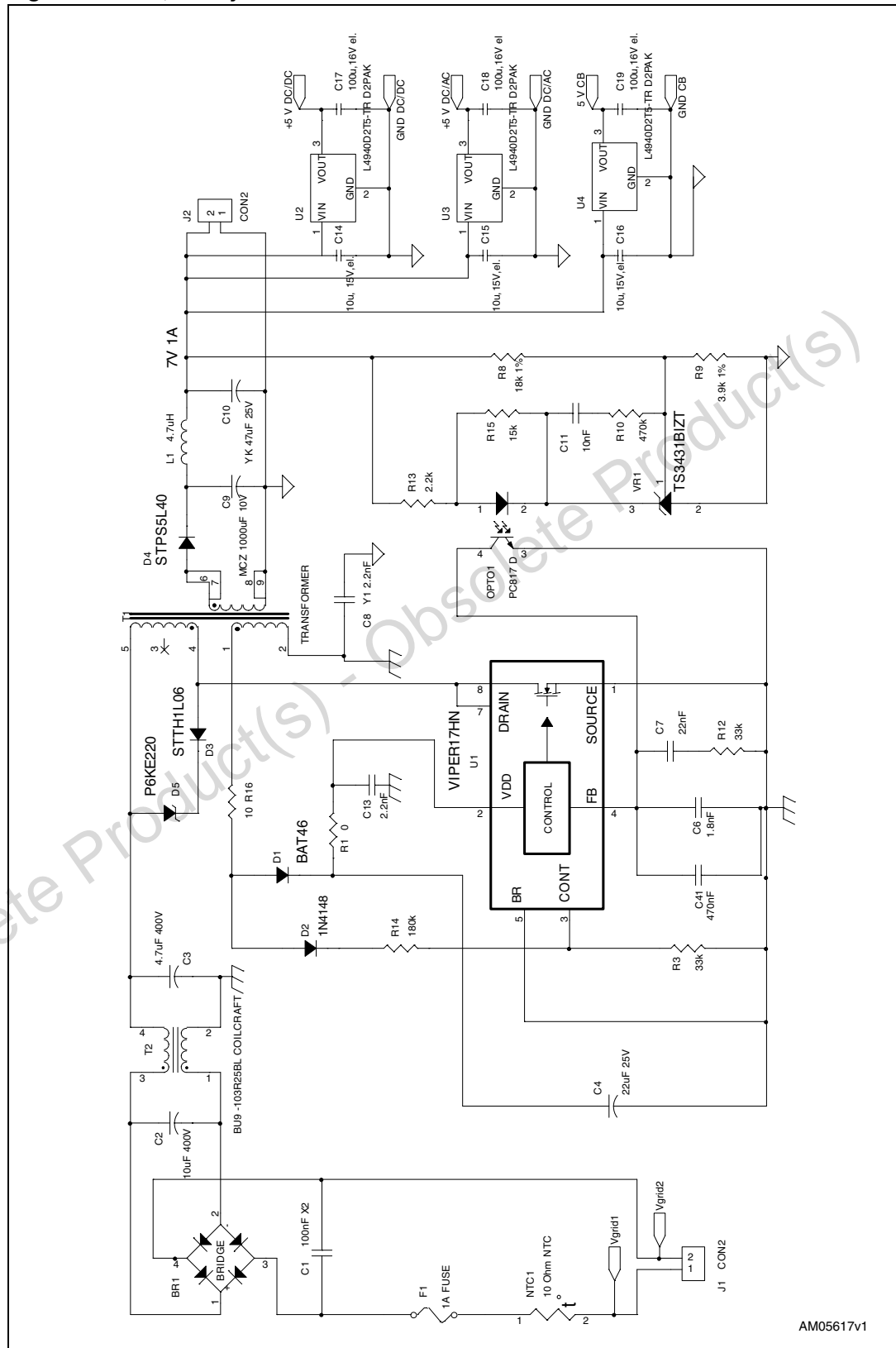
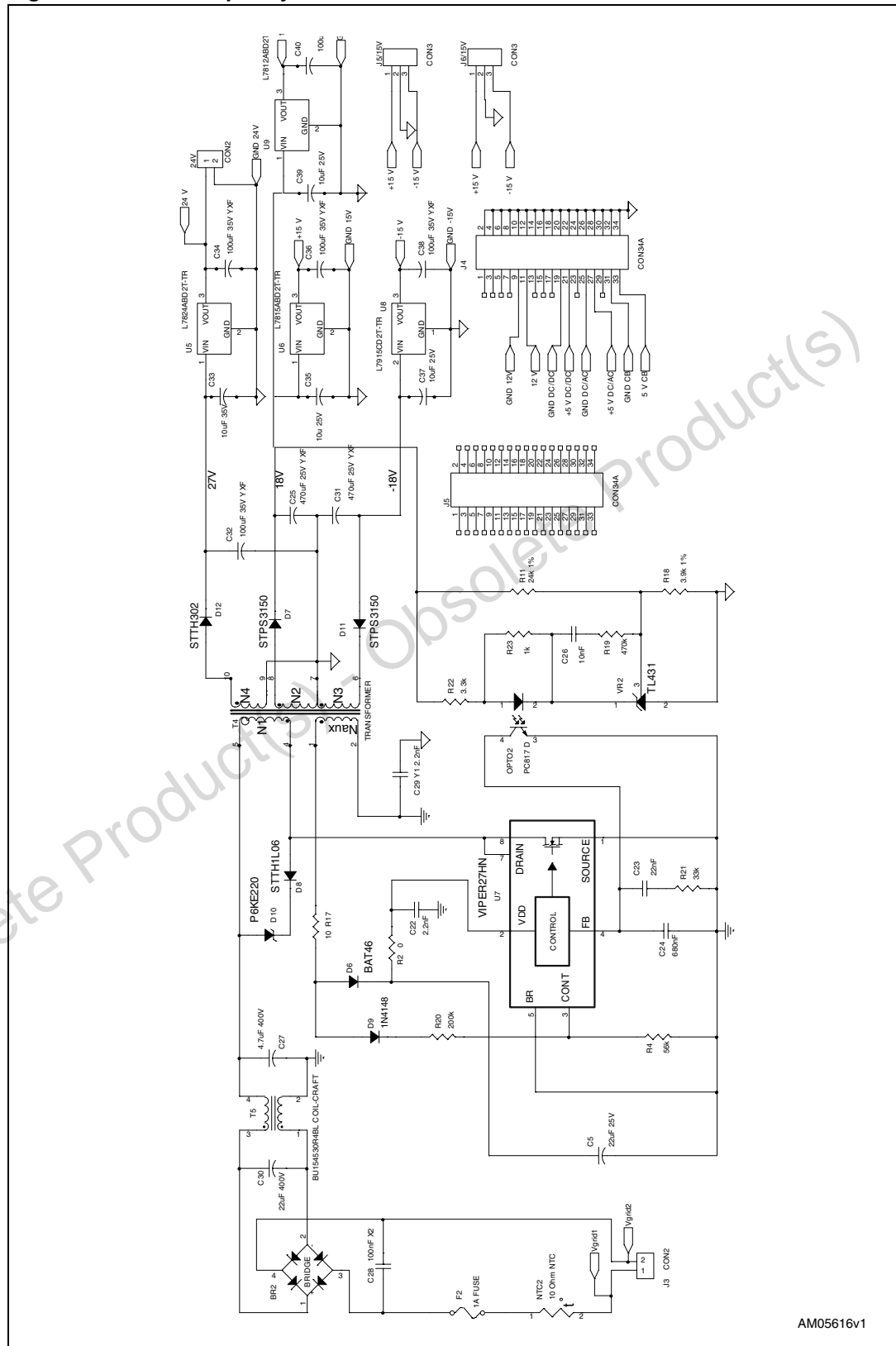




Figure 9. Multi-output flyback converter with VIPER27HN schematic



AM05616v1

## 2 Revision history

**Table 1. Document revision history**

Date	Revision	Changes
24-Jan-2012	1	Initial release.

Obsolete Product(s) - Obsolete Product(s)

**Please Read Carefully:**

Information in this document is provided solely in connection with ST products. STMicroelectronics NV and its subsidiaries ("ST") reserve the right to make changes, corrections, modifications or improvements, to this document, and the products and services described herein at any time, without notice.

All ST products are sold pursuant to ST's terms and conditions of sale.

Purchasers are solely responsible for the choice, selection and use of the ST products and services described herein, and ST assumes no liability whatsoever relating to the choice, selection or use of the ST products and services described herein.

No license, express or implied, by estoppel or otherwise, to any intellectual property rights is granted under this document. If any part of this document refers to any third party products or services it shall not be deemed a license grant by ST for the use of such third party products or services, or any intellectual property contained therein or considered as a warranty covering the use in any manner whatsoever of such third party products or services or any intellectual property contained therein.

**UNLESS OTHERWISE SET FORTH IN ST'S TERMS AND CONDITIONS OF SALE ST DISCLAIMS ANY EXPRESS OR IMPLIED WARRANTY WITH RESPECT TO THE USE AND/OR SALE OF ST PRODUCTS INCLUDING WITHOUT LIMITATION IMPLIED WARRANTIES OF MERCHANTABILITY, FITNESS FOR A PARTICULAR PURPOSE (AND THEIR EQUIVALENTS UNDER THE LAWS OF ANY JURISDICTION), OR INFRINGEMENT OF ANY PATENT, COPYRIGHT OR OTHER INTELLECTUAL PROPERTY RIGHT.**

**UNLESS EXPRESSLY APPROVED IN WRITING BY TWO AUTHORIZED ST REPRESENTATIVES, ST PRODUCTS ARE NOT RECOMMENDED, AUTHORIZED OR WARRANTED FOR USE IN MILITARY, AIR CRAFT, SPACE, LIFE SAVING, OR LIFE SUSTAINING APPLICATIONS, NOR IN PRODUCTS OR SYSTEMS WHERE FAILURE OR MALFUNCTION MAY RESULT IN PERSONAL INJURY, DEATH, OR SEVERE PROPERTY OR ENVIRONMENTAL DAMAGE. ST PRODUCTS WHICH ARE NOT SPECIFIED AS "AUTOMOTIVE GRADE" MAY ONLY BE USED IN AUTOMOTIVE APPLICATIONS AT USER'S OWN RISK.**

Resale of ST products with provisions different from the statements and/or technical features set forth in this document shall immediately void any warranty granted by ST for the ST product or service described herein and shall not create or extend in any manner whatsoever, any liability of ST.

ST and the ST logo are trademarks or registered trademarks of ST in various countries.

Information in this document supersedes and replaces all information previously supplied.

The ST logo is a registered trademark of STMicroelectronics. All other names are the property of their respective owners.

© 2012 STMicroelectronics - All rights reserved

STMicroelectronics group of companies

Australia - Belgium - Brazil - Canada - China - Czech Republic - Finland - France - Germany - Hong Kong - India - Israel - Italy - Japan - Malaysia - Malta - Morocco - Philippines - Singapore - Spain - Sweden - Switzerland - United Kingdom - United States of America

[www.st.com](http://www.st.com)