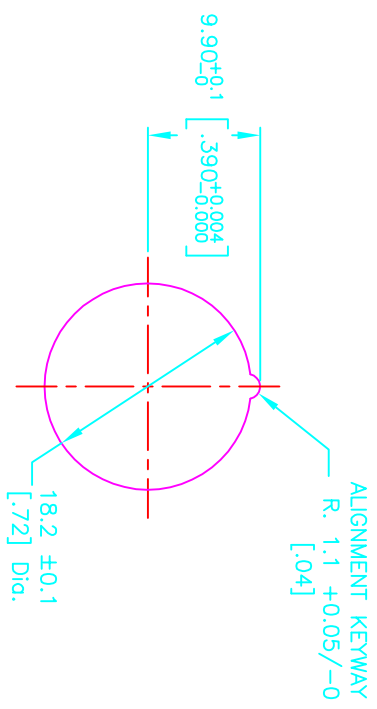
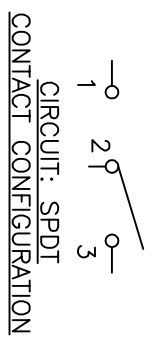
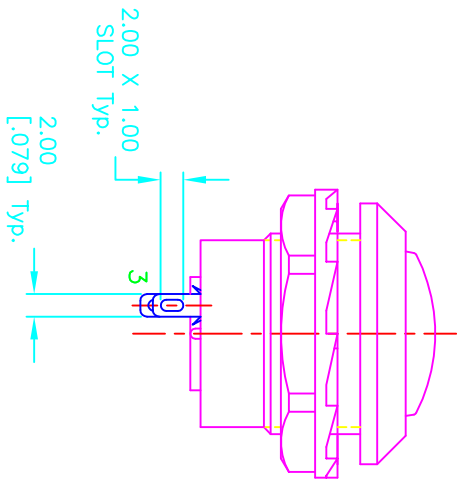
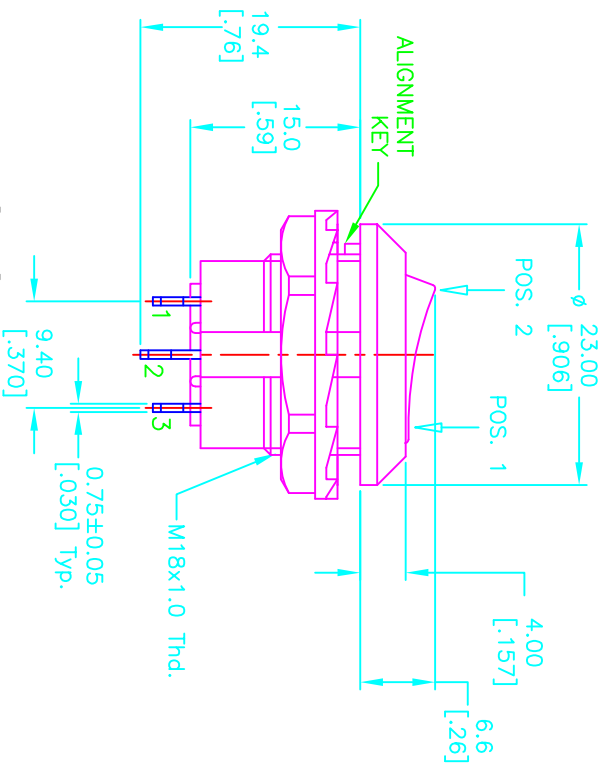


BOTTOM VIEW



ALIGNMENT KEYWAY  
R. 1.1 +0.05/-0 [0.04]

RECOMMEND PANEL MOUNTING  
6MM PANEL THICKNESS MAX.



POS.	SWITCH FUNCTION
POS. 1	ON
POS. 2	ON
1-2	ON
2-3	ON

- NOTES:
1. ALL DIMENSIONS IN MM [INCH]
  2. GENERAL TOLERANCE: X.XX=±0.4 X:XX=±0.25
  3. TERM. NOS. FOR REF. ONLY
  4. RATING: 10A @125V, 6A @250VAC UL, CUL APPROVED
  5. CONTACT RESISTANCE: 50m ohm Max.
  6. INSULATION RESISTANCE: DC 500V 100m ohm Min.
  7. DIELECTRIC STRENGTH: AC 1500V 1 minute.
  8. OPERATING TEMPERATURE: 0°C TO +65°C
  9. 2002/95/ES (ROHS) COMPLIANT.



B	20635	CHD TITLE WAS RR3130CBLKBLKNS	6/7/12	dr g
A	17441	RELEASED FOR PRODUCTION	7/6/07	TN
REV.	PCR No.	DESCRIPTION	DATE	CHKD

TITLE		RR3130CBLKBLKES		DR	TN	DWG	F030026	REV	B
SCALE	1.5:1	DATE	7/6/07						

THE INFORMATION CONTAINED IN THIS DOCUMENT IS PROPRIETARY TO E-SWITCH AND IS NOT TO BE COPIED OR TRANSMITTED