

COUNT		DESCRIPTION OF REVISIONS		BY	CHKD	DATE	COUNT	DESCRIPTION OF REVISIONS		BY	CHKD	DATE
△	△						△					
△	△						△					
△	△						△					

Fig.1 : RECOMMENDED PATTERN

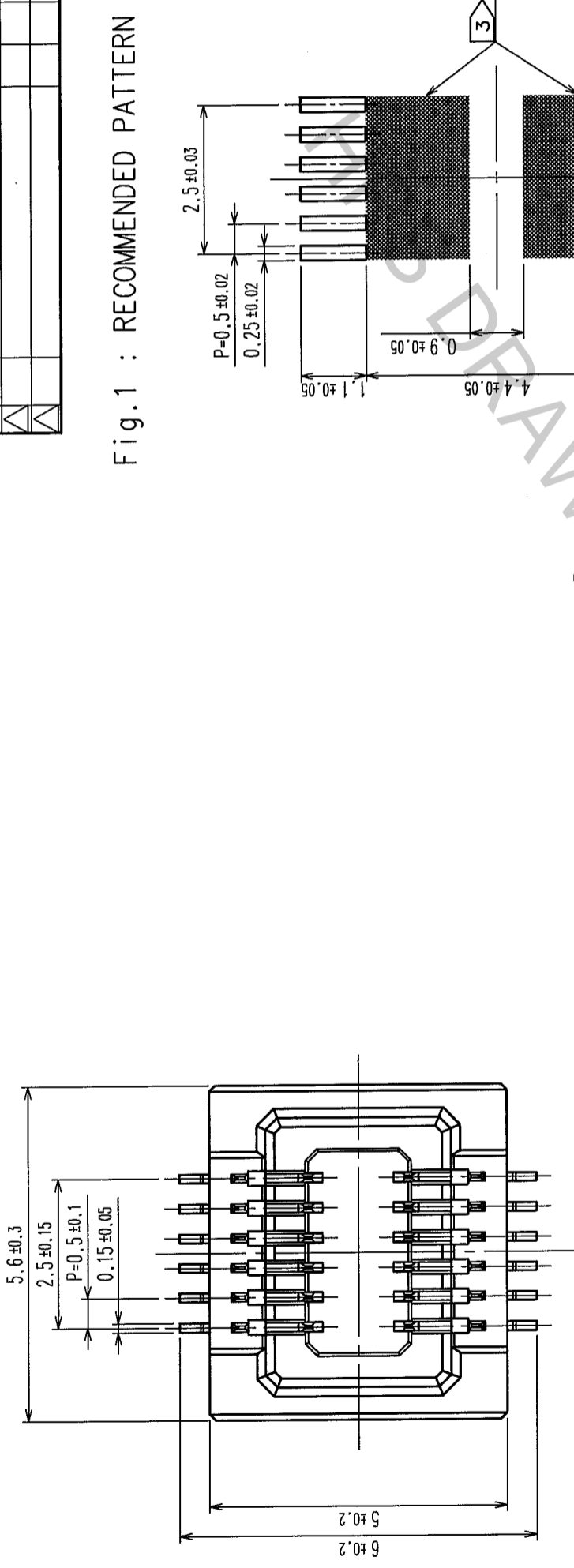


Fig.2 : A-A CROSS SECTION VIEW

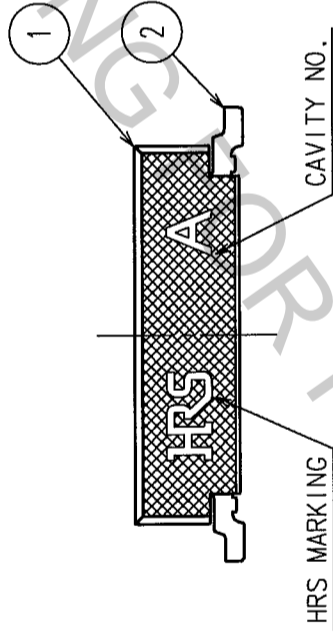
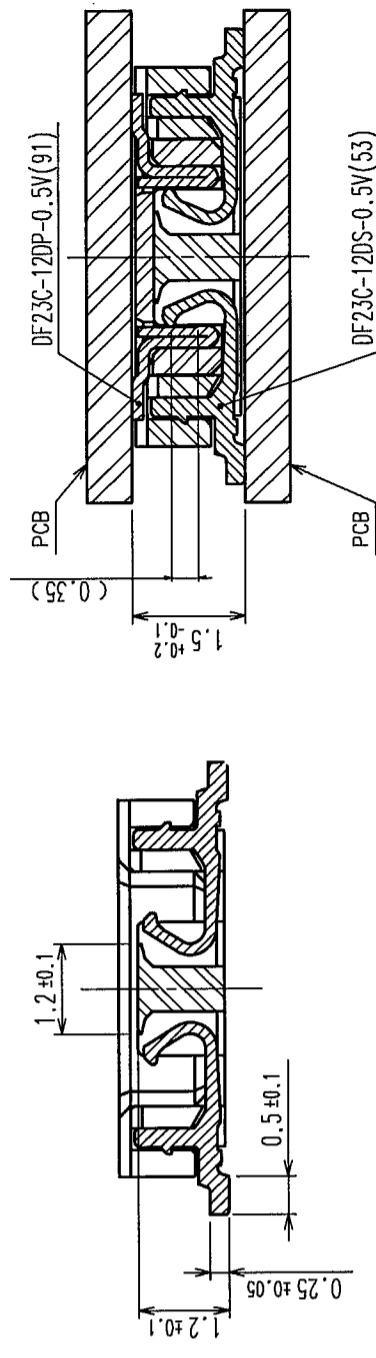


Fig.3 : MATING VIEW



NOTES 1 LEAD CO-PLANARITY SHALL BE 0.1mm MAX.

2 PLATING

CONTACT AREA : GOLD 0.1μm MIN.

LEAD AREA : GOLD 0.02μm MIN.

UNDER PLATING : NICKEL 1μm MIN.

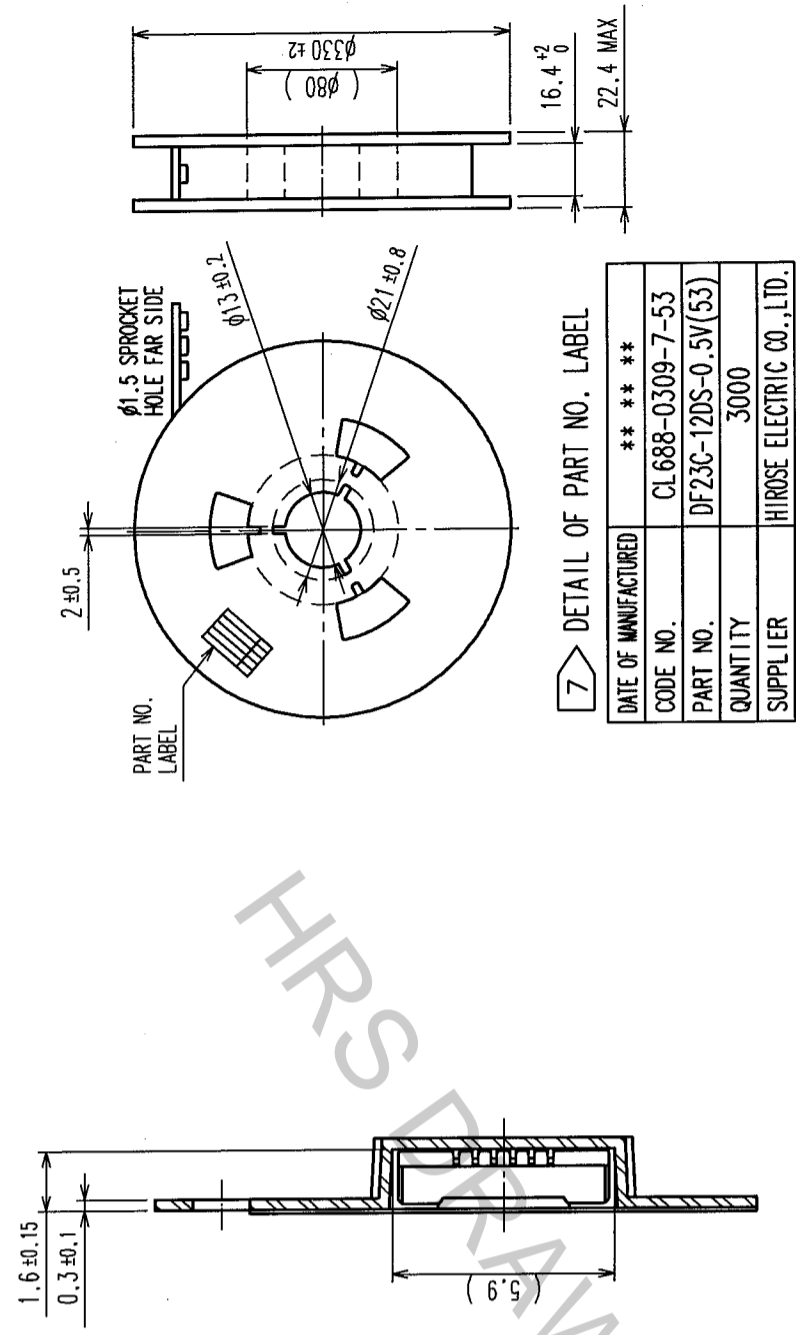
3 WHEN A PART MARKED WITH HAS A PATTERN BUT NO RESIST ON IT, TAKE CARE TO PREVENT THE CONNECTOR FROM TOUCHING IT.

NO.	PHOSPHOR BRONZE	2	POLYESTER	4	CLEAR	
1	LCP	3	PS	3	CLEAR	
NO.	MATERIAL	FINISH, REMARKS	NO.	MATERIAL	FINISH, REMARKS	
CODE NO. (OLD)	DRAWN		DESIGNED	CHECKED	APPROVED	RELEASED
		M. Nakamoto	T. Yamamoto	T. Sakata	T. Sakata	
		'04.09.30	'04.9.30	'04.9.30	'04.9.30	
DRAWING NO.	PART NO.					
EDC3-302690-02	DF23C-12DS-0.5V(53)					
SCALE	CODE NO.					
10 : 1	CL688-0309-7-53					
UNITS	HRS		HIROSE ELECTRIC CO., LTD			
mm						

TO	

COUNT	DESCRIPTION OF REVISIONS	BY	CHKD	DATE	COUNT	DESCRIPTION OF REVISIONS	BY	CHKD	DATE

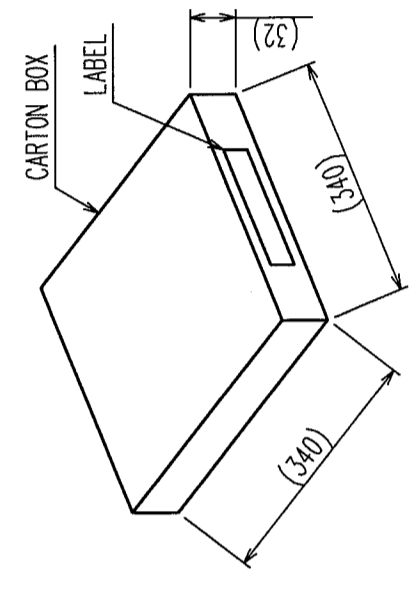
Fig.5 : REEL DIMENSIONS (FREE)



7 DETAIL OF PART NO. LABEL

DATE OF MANUFACTURED	*****
CODE NO.	CL688-0309-7-53
PART NO.	DF23C-12DS-0.5V(53)
QUANTITY	3000
SUPPLIER	HIROSE ELECTRIC CO., LTD.

Fig.6 : PACKAGING SPECIFICATION (FREE)



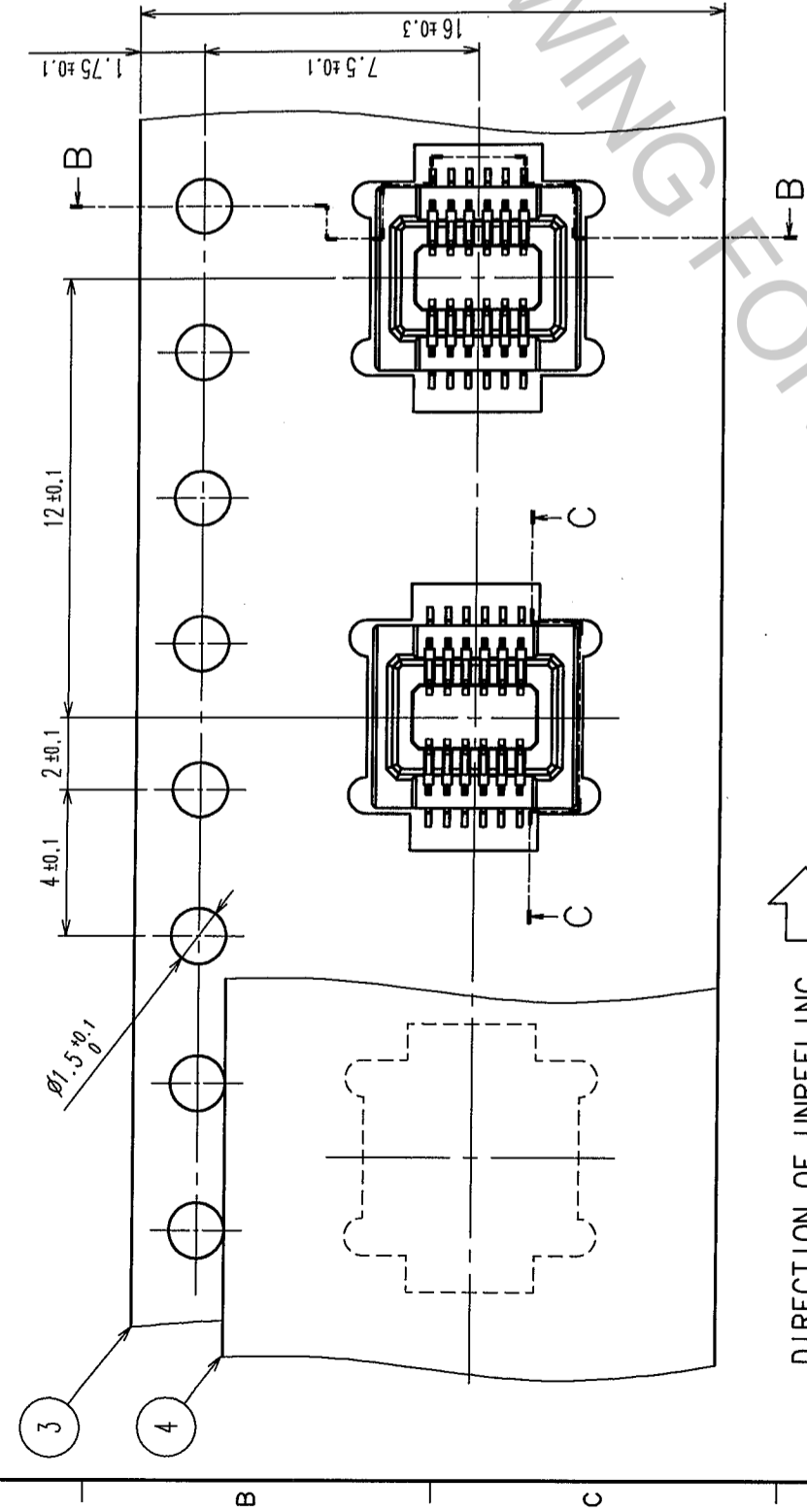
CODE NO. NUMBER OF REELS PER BOX

品名	688-0309-7-53	数量	1RL
PART NO.	DF23C-12DS-0.5V(53)	QTY	3000

PART NO. NUMBER OF PRODUCTS PER REEL

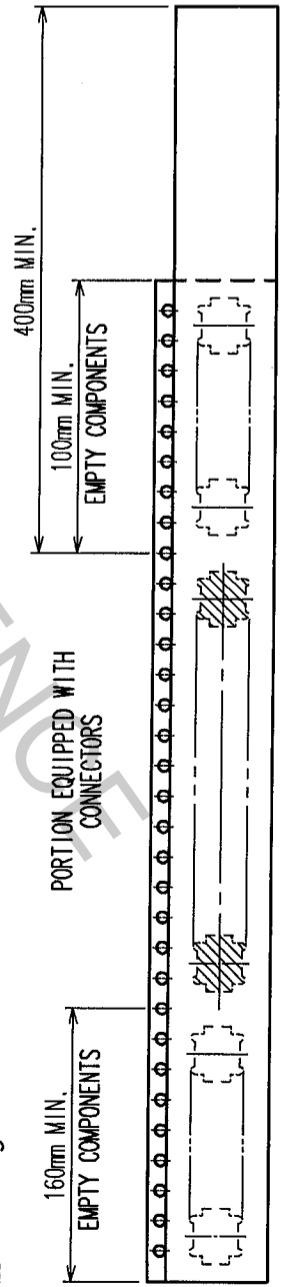
DETAIL OF LABEL

CODE NO. (OLD)		DRAWN	M. Nakamoto	DESIGNED	T. Yamamoto	CHECKED	T. Sabeuta	APPROVED	T. Sabeuta	RELEASED	
SCALE	5 : 1										
UNITS	mm										
DRAWING NO.	EDC3-302690-02	PART NO.	DF23C-12DS-0.5V(53)								
		CODE NO.	CL688-0309-7-53								



DIRECTION OF UNREELING

Fig.4 : TAPING



LEADER

TRAILER

- NOTES
- 4 PER REEL 3000 CONNECTORS
 - 5 THE DIMENSIONS IN PARENTHESES ARE FOR REFERENCE
 - 6 REFER TO JIS C 0806 (PACKAGING OF COMPONENTS FOR AUTOMATIC HANDLING)
 - 7 DETAIL OF PART NO. LABEL IS WRITTEN IN JAPANESE.

TO	