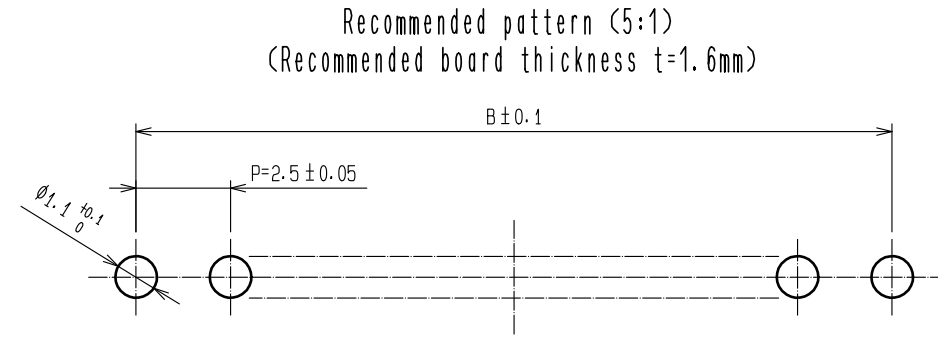
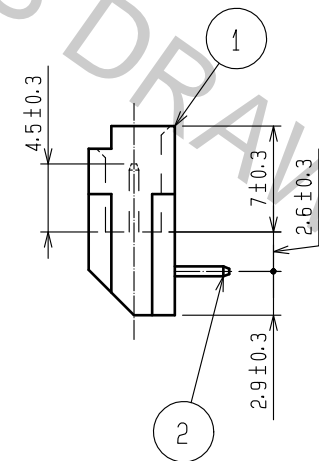
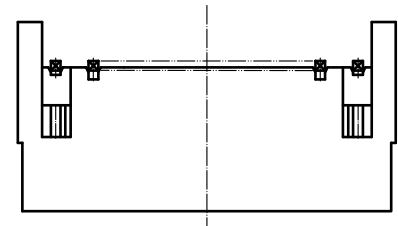
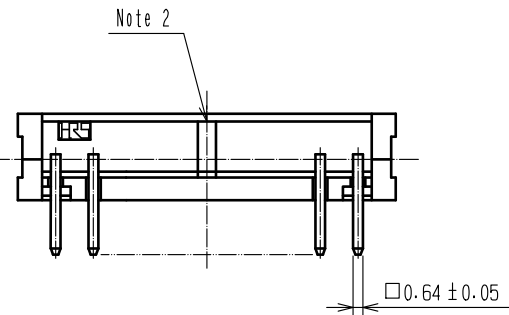
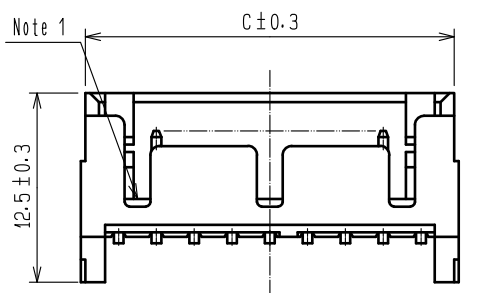
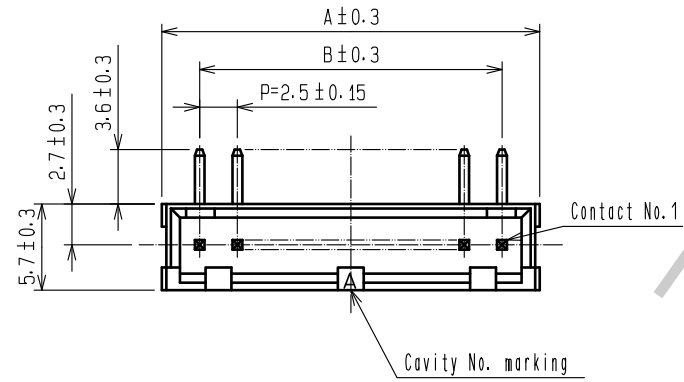


Apr.1.2017 Copyright 2017 HIROSE ELECTRIC CO., LTD. All Rights Reserved.



| HRS No. | PART No. | The number of contacts | A | B | C |
|-----------------|--------------------|------------------------|------|------|------|
| CL541-0242-6-01 | DF1B- 2P-2.5DS(01) | 2 | 7.5 | 2.5 | 6.9 |
| CL541-0243-9-01 | DF1B- 3P-2.5DS(01) | 3 | 10.0 | 5.0 | 9.4 |
| CL541-0244-1-01 | DF1B- 4P-2.5DS(01) | 4 | 12.5 | 7.5 | 11.9 |
| CL541-0245-4-01 | DF1B- 5P-2.5DS(01) | 5 | 15.0 | 10.0 | 14.4 |
| CL541-0246-7-01 | DF1B- 6P-2.5DS(01) | 6 | 17.5 | 12.5 | 16.9 |
| CL541-0247-0-01 | DF1B- 7P-2.5DS(01) | 7 | 20.0 | 15.0 | 19.4 |
| CL541-0248-2-01 | DF1B- 8P-2.5DS(01) | 8 | 22.5 | 17.5 | 21.9 |
| CL541-0249-5-01 | DF1B- 9P-2.5DS(01) | 9 | 25.0 | 20.0 | 24.4 |
| CL541-0250-4-01 | DF1B-10P-2.5DS(01) | 10 | 27.5 | 22.5 | 26.9 |
| CL541-0251-7-01 | DF1B-11P-2.5DS(01) | 11 | 30.0 | 25.0 | 29.4 |
| CL541-0252-0-01 | DF1B-12P-2.5DS(01) | 12 | 32.5 | 27.5 | 31.9 |
| CL541-0253-2-01 | DF1B-13P-2.5DS(01) | 13 | 35.0 | 30.0 | 34.4 |
| CL541-0254-5-01 | DF1B-14P-2.5DS(01) | 14 | 37.5 | 32.5 | 36.9 |
| CL541-0255-8-01 | DF1B-15P-2.5DS(01) | 15 | 40.0 | 35.0 | 39.4 |
| CL541-0256-0-01 | DF1B-16P-2.5DS(01) | 16 | 42.5 | 37.5 | 41.9 |
| CL541-0257-3-01 | DF1B-18P-2.5DS(01) | 18 | 47.5 | 42.5 | 46.9 |
| CL541-0258-6-01 | DF1B-20P-2.5DS(01) | 20 | 52.5 | 47.5 | 51.9 |

Notes 1: 2 positions and 3 positions headers have one polarizing slot at center.
 4 to 7 positions have 2 polarizing slots at both ends.
 Other positions have 3 polarizing slots as per drawing.
 2: In the case of the connectors with odd number contact, the stand-off shifts 1.25 rightward. (Stand-off available from 8 positions up)
 3: 100 connectors are in one pack.

| | | | | | | | |
|--------------------------------------|-----------|-------------------------|------------|--|--|--------------------------|------------------|
| 1 | Polyamide | Natural(White),UL94V-0 | 2 | Brass | Surface:Gold plated 0.2µm MIN. Under plating:Nickel plated 1µm MIN. | | |
| NO. | MATERIAL | FINISH . REMARKS | NO. | MATERIAL | FINISH . REMARKS | | |
| UNITS mm | | SCALE 2 : 1 | COUNT 2 | DESCRIPTION OF REVISIONS DIS-H-00001448 | DESIGNED HT. SATO | CHECKED TS. FUKUSHIMA | DATE 16.03.08 |
| HRS HIROSE ELECTRIC CO., LTD. | | APPROVED : KJ. KATAYOSE | 05.01.05 | DRAWING NO. EDC3-162412-01 | | | |
| | | CHECKED : TY. OMA | 05.01.05 | PART NO. DF1B- *P-2.5DS(01) | | | |
| | | DESIGNED : TS. KUMAZAWA | 05.01.05 | CODE NO. CL541- | | | |
| | | DRAWN : TS. KUMAZAWA | 05.01.05 | | | | |