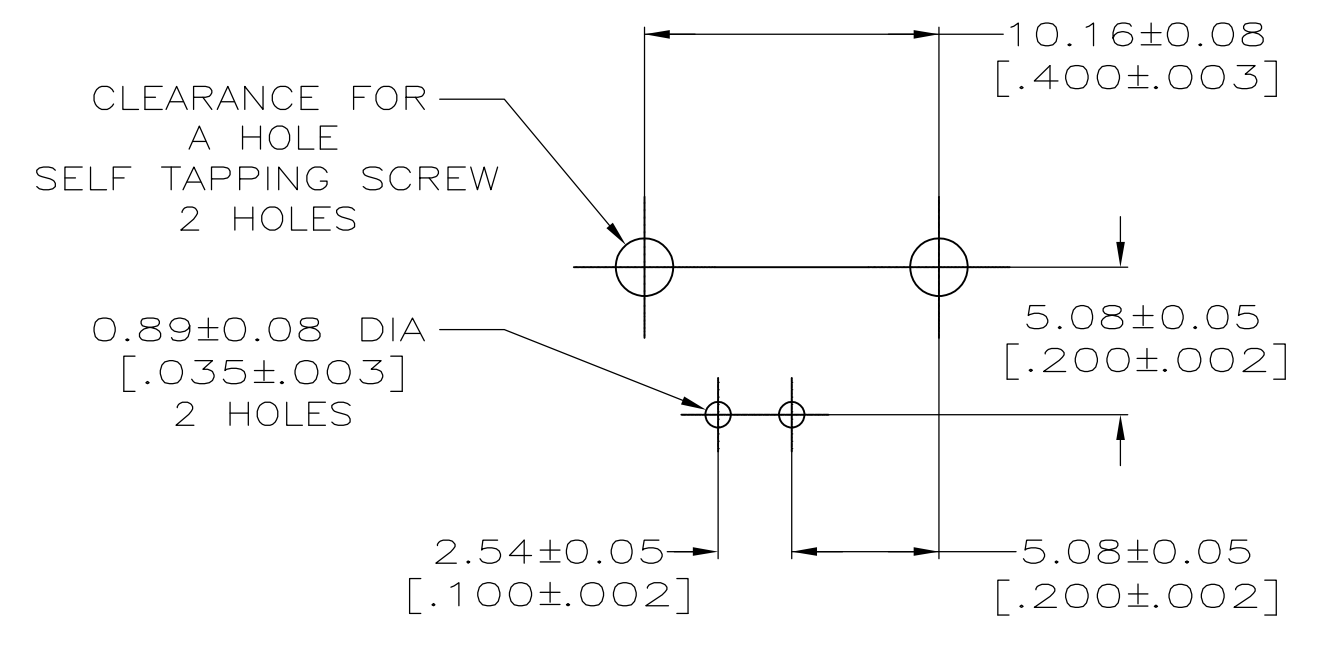
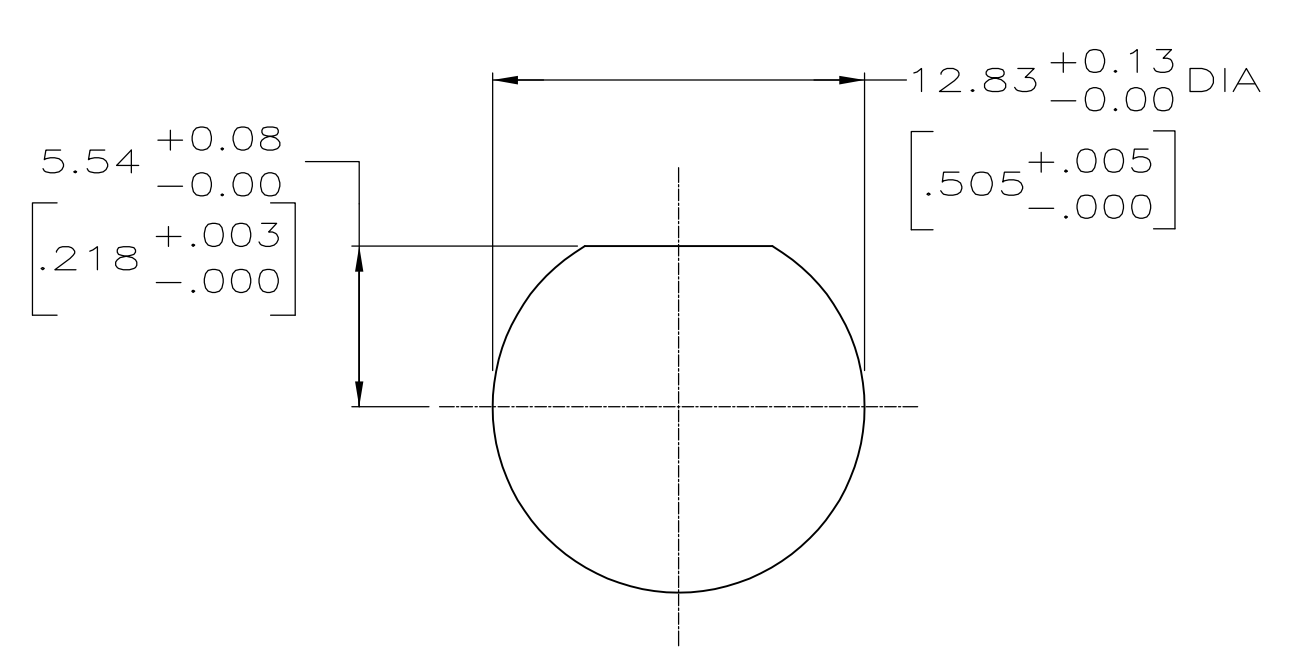
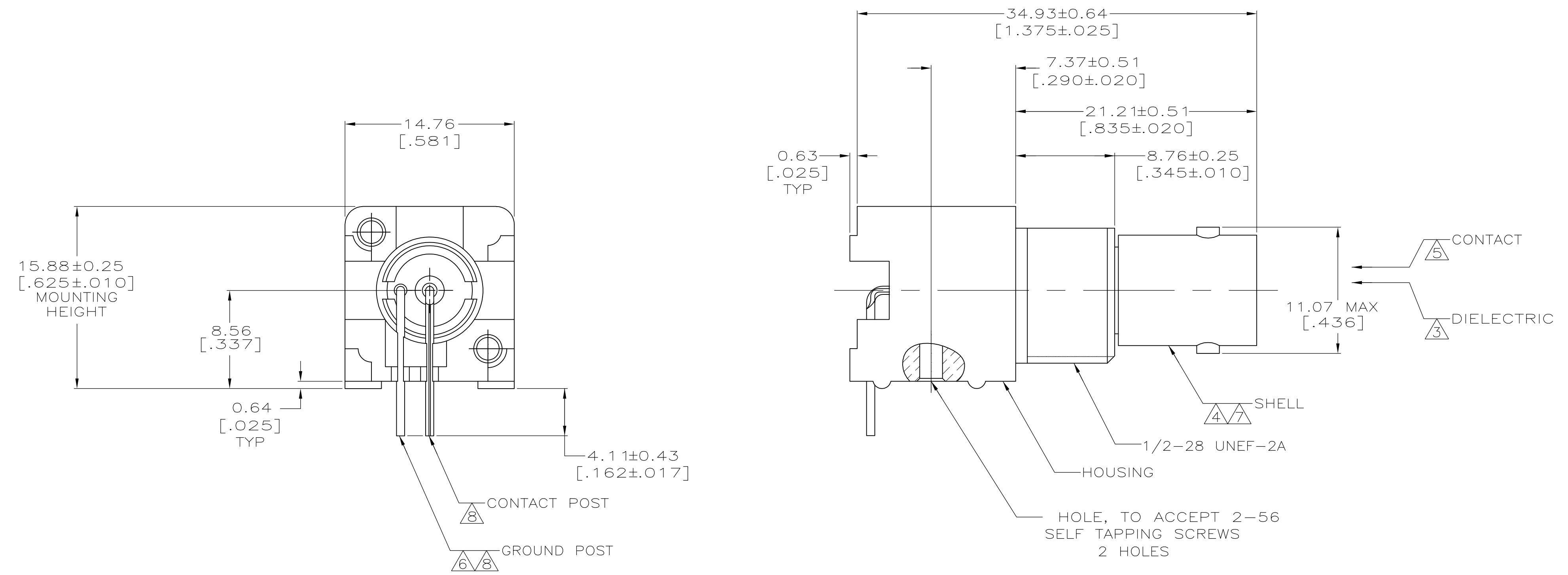


LOC	DIST	REVISIONS					
AJ	16	P	LTR	DESCRIPTION	DATE	DWN	APPD
		B1		REVISED PER ECO-11-005030	11MAR11	RK	HMR

- ① POLYESTER PBT PER MIL-M-24519, TYPE GPT-15F, UL94V-O RATED, COLOR:NATURAL
 - ② POLYESTER PBT PER MIL-M-24519, TYPE GPT-15F, UL94V-O RATED, COLOR:BLACK
 - ③ POLYMETHYLPENTENE, GENERAL PURPOSE.
 - ④ ZINC PER QQ-Z-363.
 - ⑤ PHOSPHOR BRONZE PER QQ-B-750.
 - ⑥ BRASS PER ASTM-B-453.
 - ⑦ NICKEL PLATE PER QQ-N-290, 3.81 μm [.000150] MINIMUM THICK.
 - ⑧ TIN PLATE PER ASTM-B-545, 3.81 μm [.000150] MINIMUM THICK.
 - ⑨ GOLD PLATE PER MIL-G-45204, 0.76 μm [.000030] MINIMUM THICK.
10. SEE INSTRUCTION SHEET 408-2769.



⑨	②	5226990-6
⑨	①	5226990-3
⑧	①	5226990-1
CONTACT PLATING	HOUSING MATERIAL	PART NUMBER

THIS DRAWING IS A CONTROLLED DOCUMENT.		DWN L. VARELA - DOCKS 20APR2005	TE Connectivity	
DIMENSIONS: mm [INCHES]		CHK J. HAVENER 20APR2005	NAME	
TOLERANCES UNLESS OTHERWISE SPECIFIED:		APVD S. BURKHOLDER 20APR2005	PRODUCT SPEC	
0 PLC ± -		108-12078		
1 PLC ± -		APPLICATION SPEC		
2 PLC ± 0.20 [008]		SIZE		
3 PLC ± -		CAGE CODE		
4 PLC ± -		DRAWING NO		
ANGLES ± -		RESTRICTED TO		
MATERIAL	FINISH	WEIGHT	A1 00779	5226990
1 THRU 6	7 THRU 9	CUSTOMER DRAWING	SCALE	SHEET
			4:1	1 OF 1
				REV B1