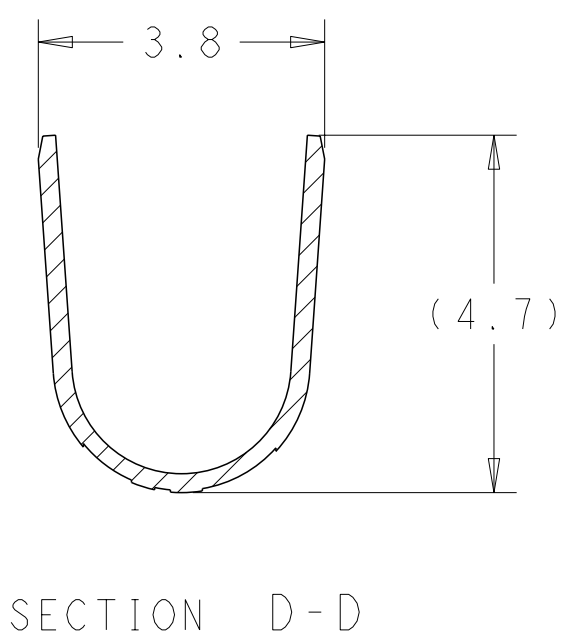
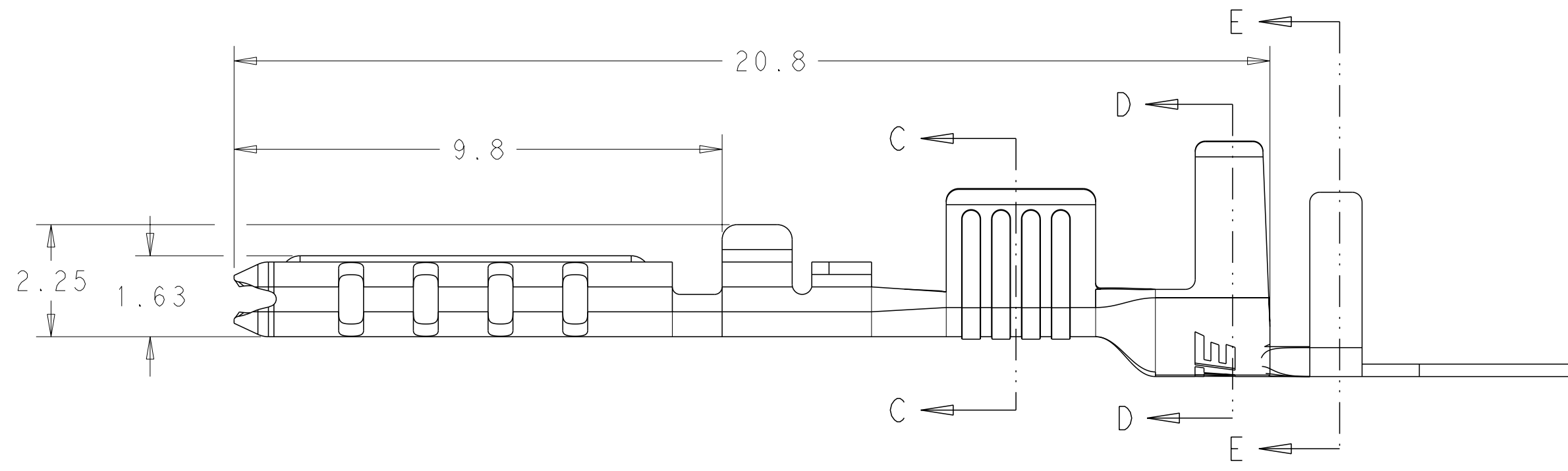
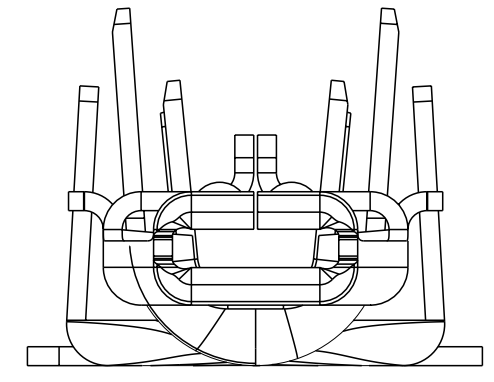
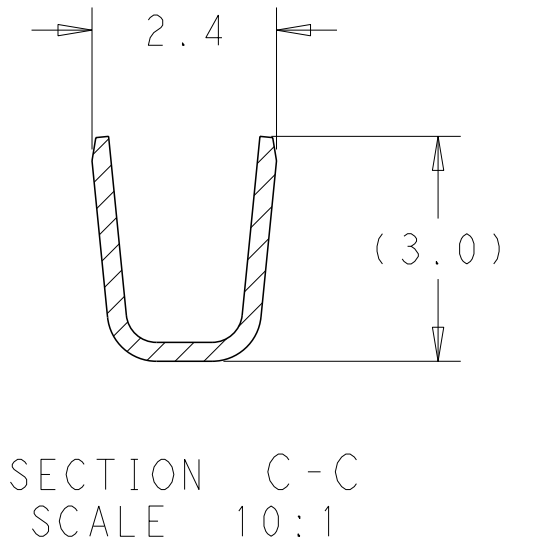
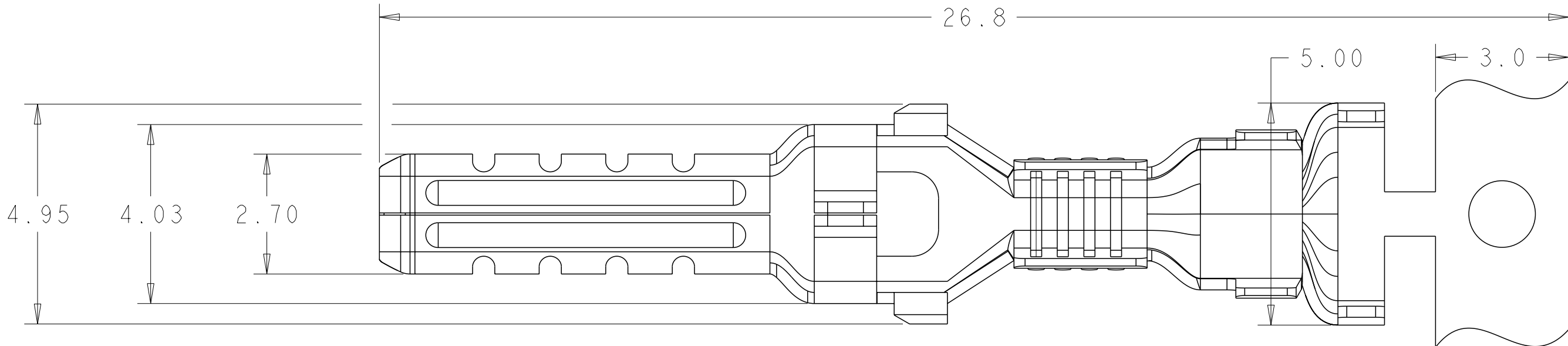
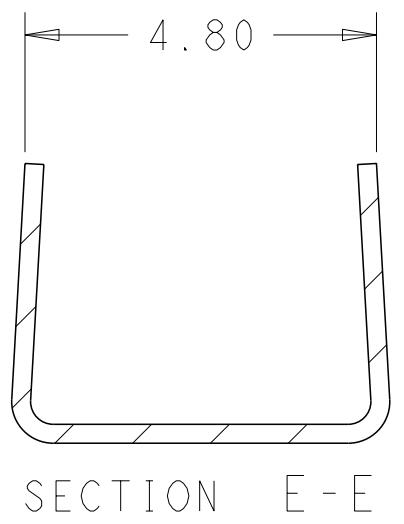


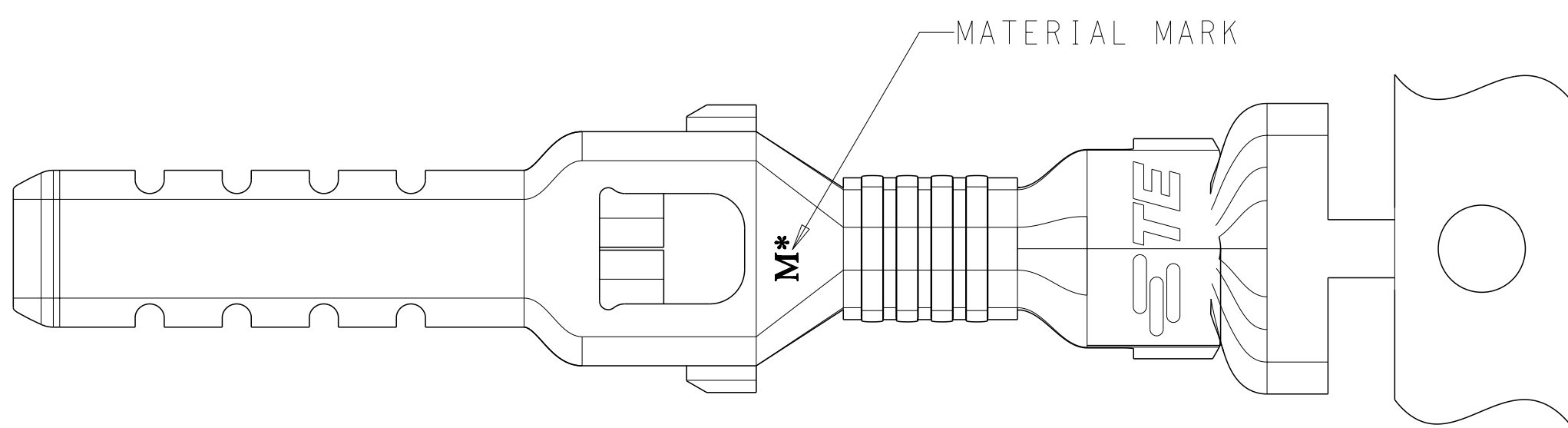
THIS DRAWING IS UNPUBLISHED. RELEASED FOR PUBLICATION 20  
 © COPYRIGHT 20 BY - ALL RIGHTS RESERVED.

LOC ES DIST 00

REVISIONS					
P	LTR	DESCRIPTION	DATE	DWN	APVD
B		REVISED PER ECO-16-013278	08SEP2016	RS	GJ



- 1 APPLICABLE MATED CAP HOUSING P/N: \*-2232353-\* (CENTER CIRCUIT ONLY)
- 2 APPLICABLE WIRE: 16-19AWG COPPER STRANDED OR 2x 22 AWG COPPER STRANDED. FOR A #19 AWG WIRE THE RECOMMENDED MINIMUM CROSS-SECTIONAL AREA IS 0.65mm<sup>2</sup> (1300 CMA).
- 3 APPLICABLE INSULATION DIAMETER: 2.00-3.30mm (2.0 mm MAX FOR 2x 22 AWG)



⚠ PRELIMINARY - NOT FOR PRODUCTION.

COPPER ALLOY	M0	HIGH (150°C)	⚠ 2232724-2
BRASS	M8	STANDARD (105°C)	2232724-1
MATERIAL	MATERIAL MARK	TEMP. RATING	PART NO.

THIS DRAWING IS A CONTROLLED DOCUMENT.

DWN WEST WANG 20MAR2014	TE Connectivity
CHK DANIEL ZHANG 20MAR2014	
APVD YUHONG MAO 20MAR2014	
NAME	
PRODUCT SPEC 108-106147	GROUND TAB CONTACT
APPLICATION SPEC 114-106147	3P MFB L POWER TRIPLE LOCK
MATERIAL SEE TABLE	FINISH PRE-TIN
WEIGHT -	Customer Drawing

SIZE A2	CAGE CODE 00779	DRAWING NO. C-2232724	RESTRICTED TO -
SCALE -	SHEET 1	OF 1	REV B