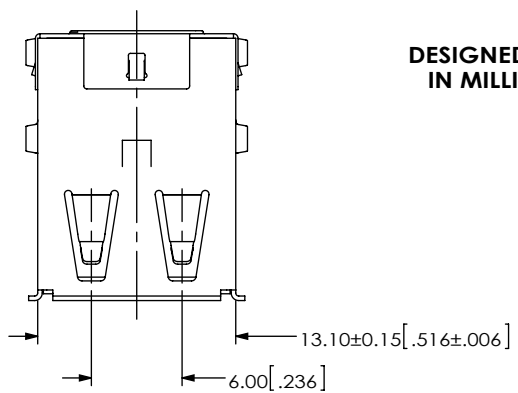


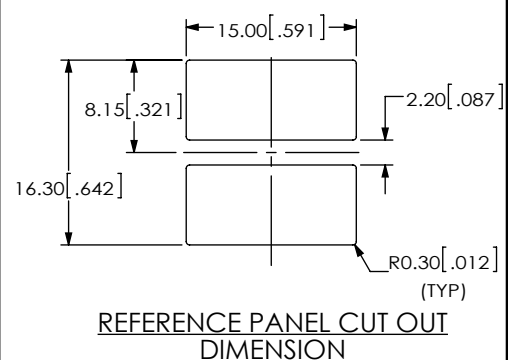
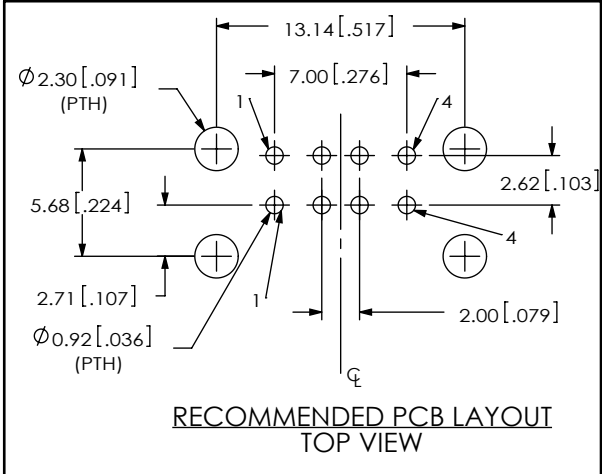
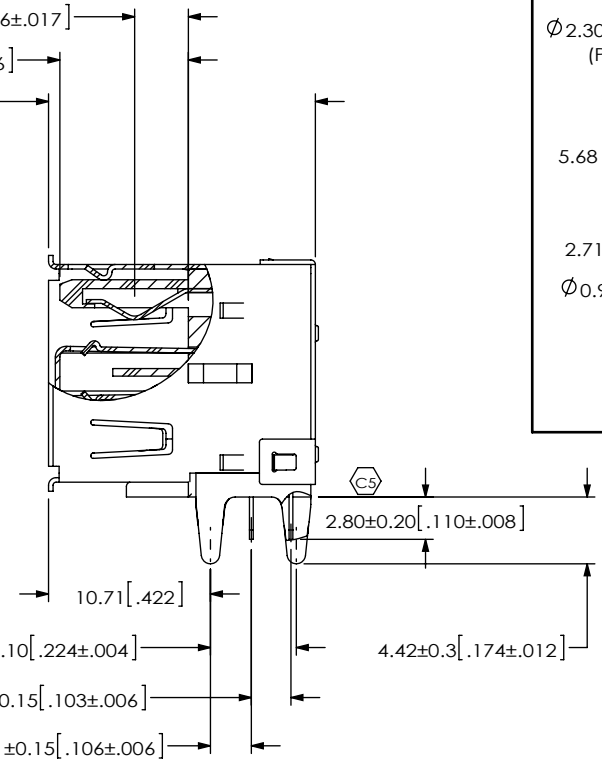
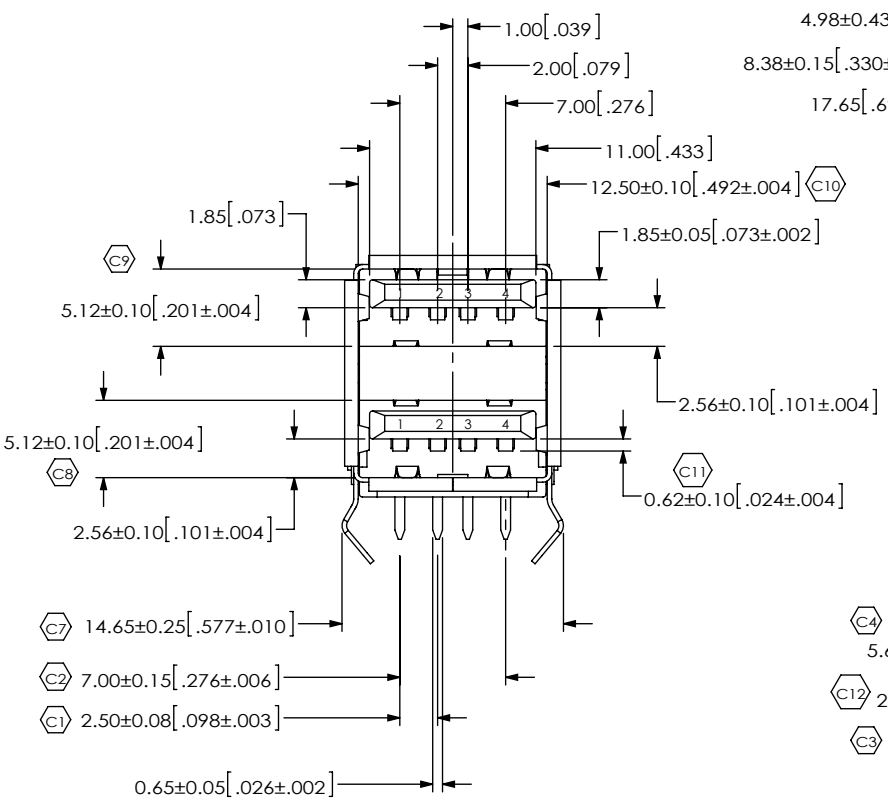
DO NOT SCALE FROM THIS PRINT

DESIGNED & DIMENSIONED IN MILLIMETERS [INCHES]



USB-A-D-X-X-TH-X

- TYPE -A
- CONFIGURATION -D: DOUBLE
- PLATING SPECIFICATION
  - F: GOLD FLASH ON MATING AREA MATTE TIN ON TAILS (100U" MIN) WITH NICKEL UNDERPLATE (SEE NOTE 3 FOR -R OPTION)
  - S: SELECTIVE, .000030 GOLD ON MATING AREA MATTE TIN ON TAILS (100U" MIN) WITH NICKEL UNDERPLATE (SEE NOTE 3 FOR -R OPTION)
- OPTION -R: ROHS COMPLIANT
- TERMINATION -TH: THROUGH HOLE
- COLOR
  - B: BLACK
  - W: WHITE



NOTES:  
 1. Ⓢ REPRESENTS A CRITICAL DIMENSION.  
 2. DELETED  
 3. ALL PARTS ARE ROHS COMPLIANT WITH OR WITHOUT -R.

UNLESS OTHERWISE SPECIFIED, DIMENSIONS ARE IN MM.  
 TOLERANCES ARE:  
 DECIMALS ANGLES  
 .X: ±.3 [.01] 2°  
 .XX: ±.13 [.005]  
 .XXX: ±.05 [.0020]

PROPRIETARY NOTE  
 THIS DOCUMENT CONTAINS CONFIDENTIAL AND PROPRIETARY INFORMATION AND ALL DESIGN, MANUFACTURING, REPRODUCTION, USE, PATENT RIGHTS AND SALES RIGHTS ARE EXPRESSLY RESERVED BY SAMTEC, INC. THIS DOCUMENT SHALL NOT BE DISCLOSED, IN WHOLE OR PART, TO ANY UNAUTHORIZED PERSON OR ENTITY NOR REPRODUCED, TRANSFERRED OR INCORPORATED IN ANY OTHER PROJECT IN ANY MANNER WITHOUT THE EXPRESS WRITTEN CONSENT OF SAMTEC, INC.



520 PARK EAST BLVD. NEW ALBANY, IN 47150  
 PHONE: 812-944-6733 FAX: 812-948-5047  
 e-Mail: info@SAMTEC.com code: 55322

MATERIAL: DO NOT SCALE DRAWING SHEET SCALE: 2:1  
 INSULATOR: PBT  
 CONTACT: PHOS BRONZE

DESCRIPTION:  
 USB A, DOUBLE, THROUGH HOLE  
 DWG. NO.

USB-A-D-X-X-TH-X