

# MICRO SWITCH

FREEPORT ILLINOIS, U.S.A  
A DIVISION OF HONEYWELL  
FED. MFG. CODE 91929

## SWITCH - BASIC

CATALOG LISTING

### V3L-607

### CQ-H0480

V3L-607

M

DRAWING NUMBER

ISSUE

10

REVISIONS

A	NEW DWG PR-6350	04 JUN 04
K	P	22 FEB 77
B	CO 38993	04 JUN 04
T	M M	5 AUG 77
C	CO 59921	04 JUN 04
S	M A	29 SEPT 86
D	CO - 69205	04 JUN 04
B	A B	3 JAN 91
E	CO 76444	04 JUN 04
D	C S	8 FEB 94
F	CO 77116	04 JUN 04
D	C S	22 APR 94
G	CO-93311	04 JUN 04
T	S M	16 OCT 98
H	0005782 R J	04 JUN 04

REPLACES

RELEASE NO. PR-6350

CHECK

AK

CHECK

23 FEB 77

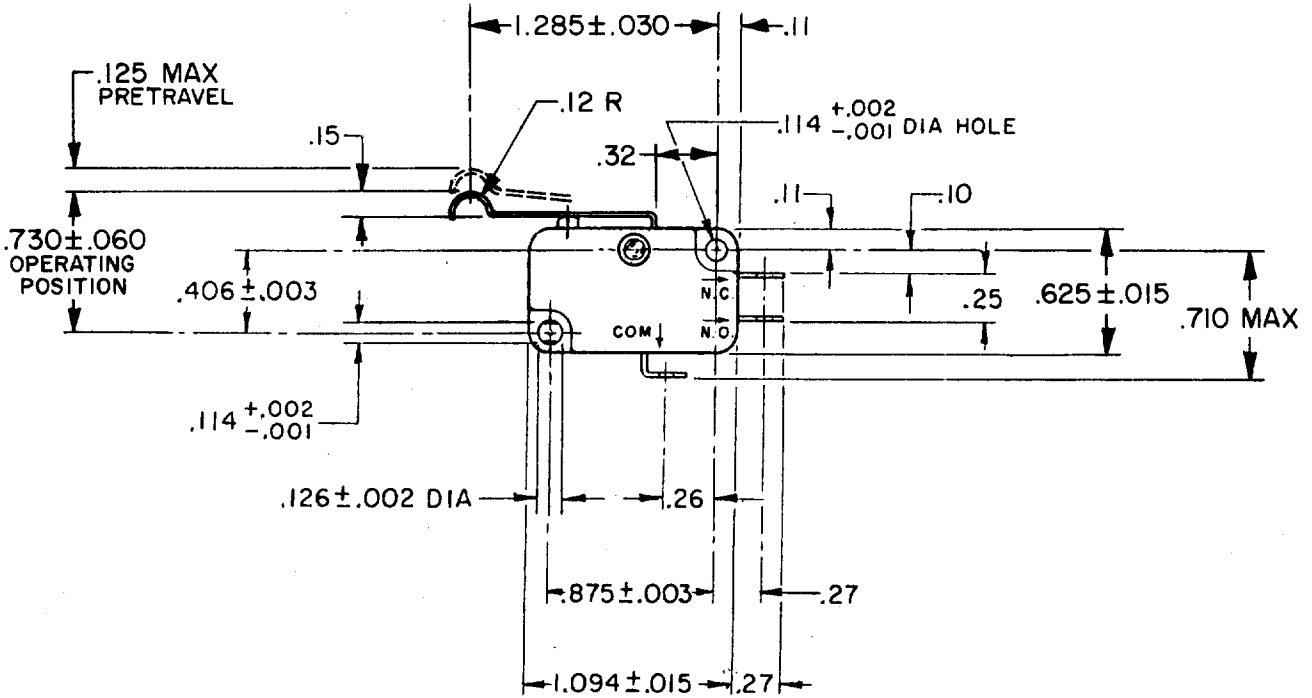
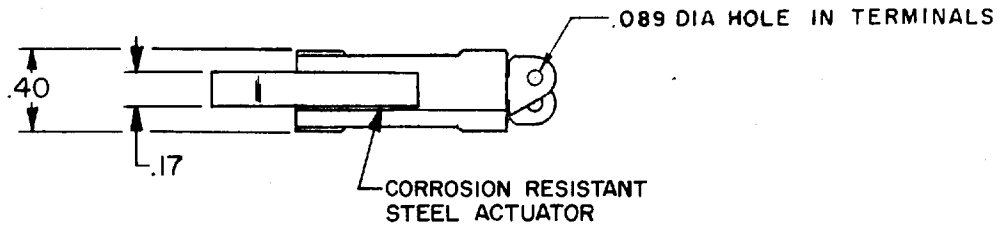
CEB

77

FORMTEK

DRAWN

K P K22 FEB 77

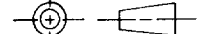


### NOTES

- 1 - TERMINALS ARE PLATED FOR SOLDERING
- 2 - IN INSPECTION, DO NOT BURN OUT - GOLD CONTACTS
- 3 - IN INSPECTION, DO NOT EXCEED 10 VDC, .1A RESISTIVE LOAD
- 4 - INSPECT SWITCH RESISTANCE PER CONTROL PLAN

THIS DRAWING COVERS A PROPRIETARY ITEM AND IS THE PROPERTY OF MICRO SWITCH, A DIVISION OF HONEYWELL. THIS DRAWING IS NOT TO BE COPIED OR USED WITHOUT THE APPROVAL OF MICRO SWITCH.

THIRD ANGLE PROJECTION



### CHARACTERISTICS

OPERATING FORCE ----- 4 OZ MAX  
RELEASE FORCE ----- 1/2 OZ MIN  
RELEASE TRAVEL ----- .010 MIN  
DIFFERENTIAL TRAVEL ----- .032 MAX  
OVERTRAVEL ----- .080 MIN

### ELECTRICAL DATA

CONTACT ARRANGEMENT  
S P D T

L22 1A-125 VAC



SCALE FULL

DO NOT SCALE PRINT

TOLERANCES  
APPLY TO DESIGN UNITS. CONVERSIONS ARE ONLY FOR REFERENCE. UNLESS NOTED, TOLERANCES ARE ±

	DIM. mm	TOL. mm/in	DIM. in	TOL. mm/in
NO PLACES	X	1/04	X X	0.0103
ONE PLACE	X,X	0.4/.016	X X X	0.38/.015
TWO PLACES	X,X,X	0.15/.006	X X X X	0.13/.005
THREE PLACES	X,X,X,X		X X X X X	
ANGLES				

DESIGN UNITS  SI METRIC  US CUSTOMARY

WEIGHT