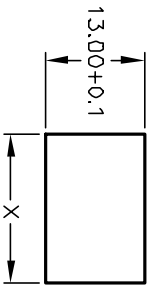
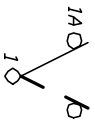


PANEL THICKNESS	X dimension
0.75-1.25 [0.30-.0491]	19.2-.01 [7.561]
1.25-2.0 [0.49-.079]	19.4-.01 [7.641]
2.0-3.0 [0.79-1.181]	19.8-.01 [7.801]



PANEL CUTOUT  
NOT TO SCALE

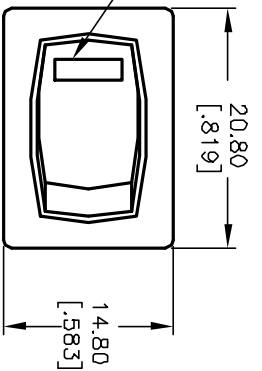
SWITCH FUNCTION	
PDS, 1	PDS, 2
DN	OFF
1-1a	DPEN



CIRCUIT: SPST

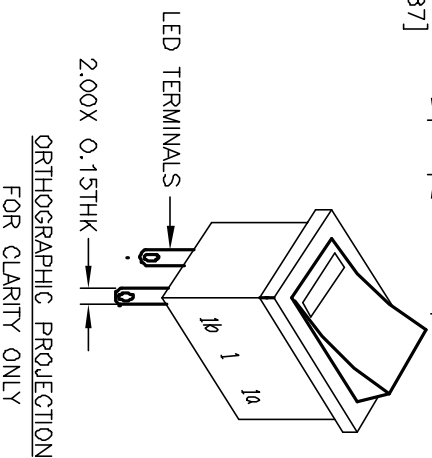
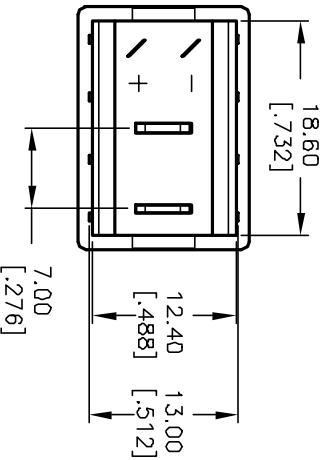
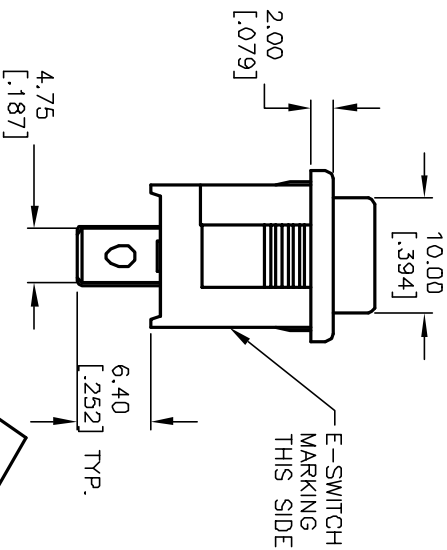
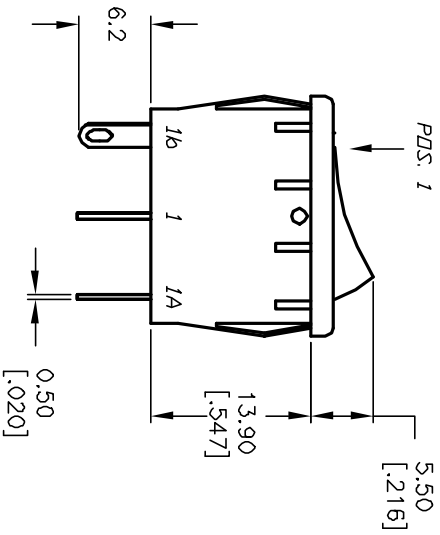
NOTES:

- ALL DIMENSIONS IN MM [INCH]
- GENERAL TOLERANCE: X.X=±0.4  
X.XX=±0.25
- TERMINAL NUMBERS FOR REF ONLY
- RATING:  
15A @125VAC; 8A @250V UL,VDE,CSA APPROVED  
6A @250VAC
- MATERIALS: (TERMINALS) SILVER PLATED COPPER  
(CONTACTS) COIN SILVER, SILVER PLATED.
- CONTACT RESISTANCE: <20 Mega
- ELECTRICAL LIFE: 10,000 cycles
- INSULATION RESISTANCE: >1000 Mega
- DIELECTRIC STRENGTH: >1500V 1 minute  
>3000V between Poles
- OPERATING TEMP. RANGE: -25°C to +85°C



GREEN L.E.D

PARAMETERS	SYMBOL	MAX.	TYP.	UNITS
POWER DISSIPATION	P <sub>n</sub>	80		mW
Ave FORWARD CURRENT	I <sub>AF</sub>	--		mA
PEAK FORWARD CURRENT	I <sub>PF</sub>	100		mA
REVERSE VOLTAGE	V <sub>R</sub>	5		V
FORWARD VOLTAGE	V <sub>F</sub>	2.6	2	V
REVERSE CURRENT	I <sub>R</sub>		100	µA
EMISSION WAVELENGTH	λ <sub>p</sub>		570	nm
LUMINOUS INTENSITY	I <sub>v</sub>		30	mcđ



**E-SWITCH®**

REV.	ECN No.	DESCRIPTION	DATE	CHKD	SCALE	DATE	DR	DWG	REV
A	12992	RELEASED FOR PRODUCTION	4/2/03	AR	1.5:1	4/2/03	AR	M301120	A

TITLE: R1966A BLK BLK E G GRN

THE INFORMATION CONTAINED IN THIS DOCUMENT IS PROPRIETARY TO E-SWITCH AND IS NOT TO BE COPIED OR TRANSFERRED