

**PS-5**

Order No.: 3030983

<http://eshop.phoenixcontact.de/phoenix/treeViewClick.do?UID=3030983>

Test adapter, Color: red

| Commercial data          |                    |
|--------------------------|--------------------|
| EAN                      | 4017918818920      |
| Pack                     | 10 pcs.            |
| Customs tariff           | 85369010           |
| Weight/Piece             | 0.0033 KG          |
| Catalog page information | Page 334 (CL-2009) |

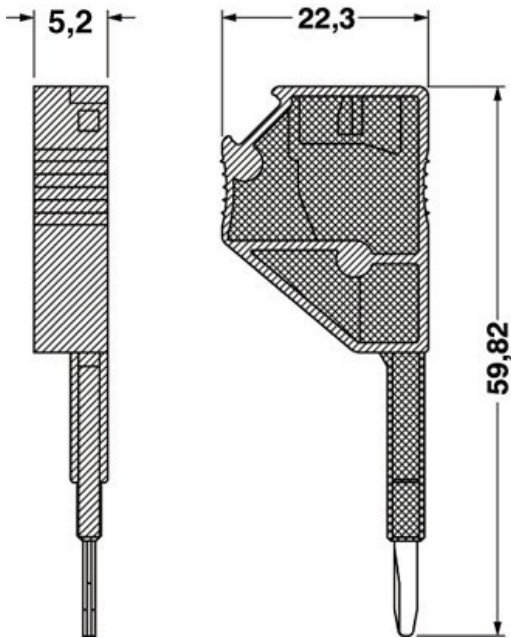
## Product notes

WEEE/RoHS-compliant since:  
01/01/2003

<http://www.download.phoenixcontact.com>  
Please note that the data given here has been taken from the online catalog. For comprehensive information and data, please refer to the user documentation. The General Terms and Conditions of Use apply to Internet downloads.

**Diagrams/Drawings**

Dimensioned drawing



**Address**

PHOENIX CONTACT Inc., USA  
586 Fulling Mill Road  
Middletown, PA 17057, USA  
Phone (800) 888-7388  
Fax (717) 944-1625  
<http://www.phoenixcon.com>



© 2010 Phoenix Contact  
Technical modifications reserved;