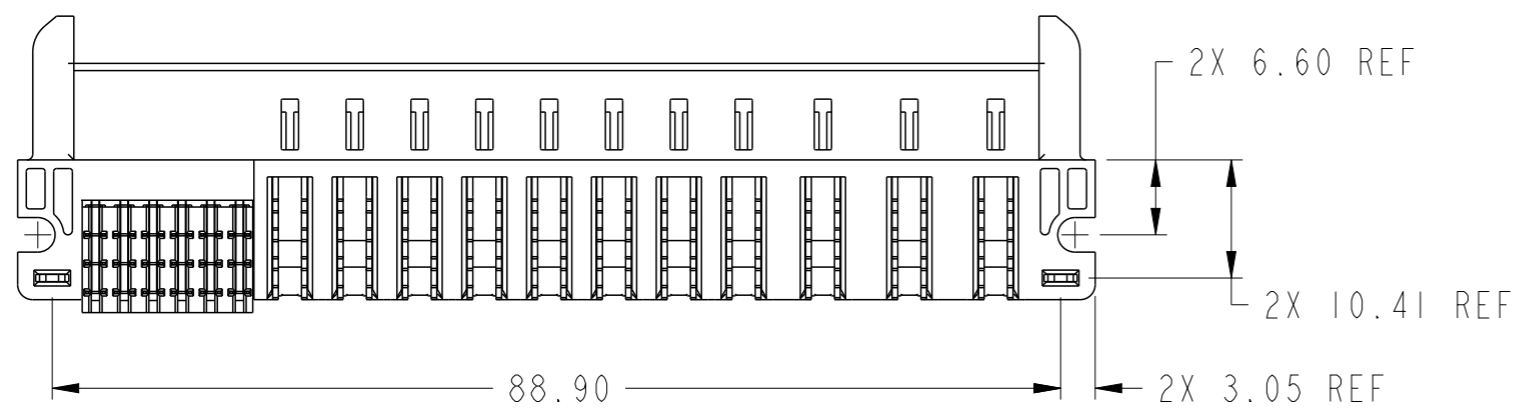
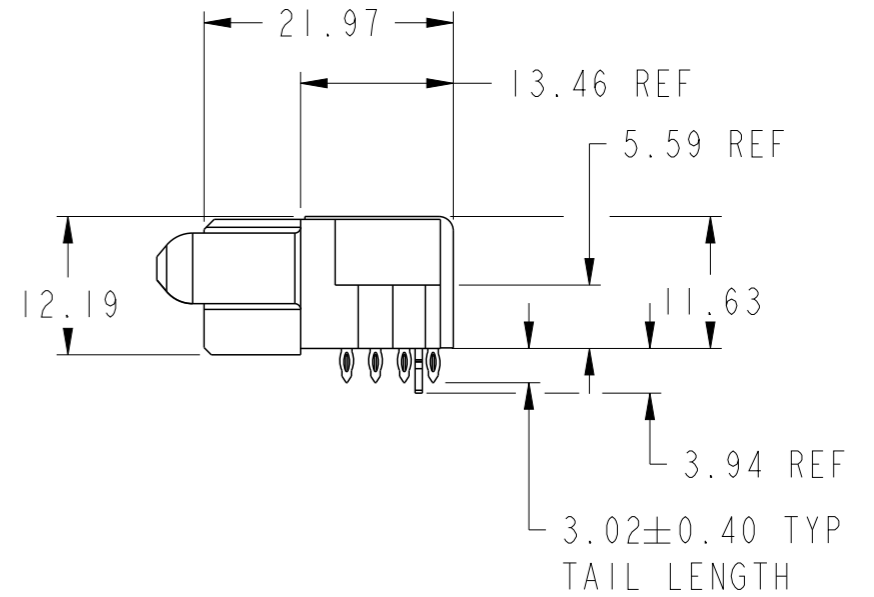
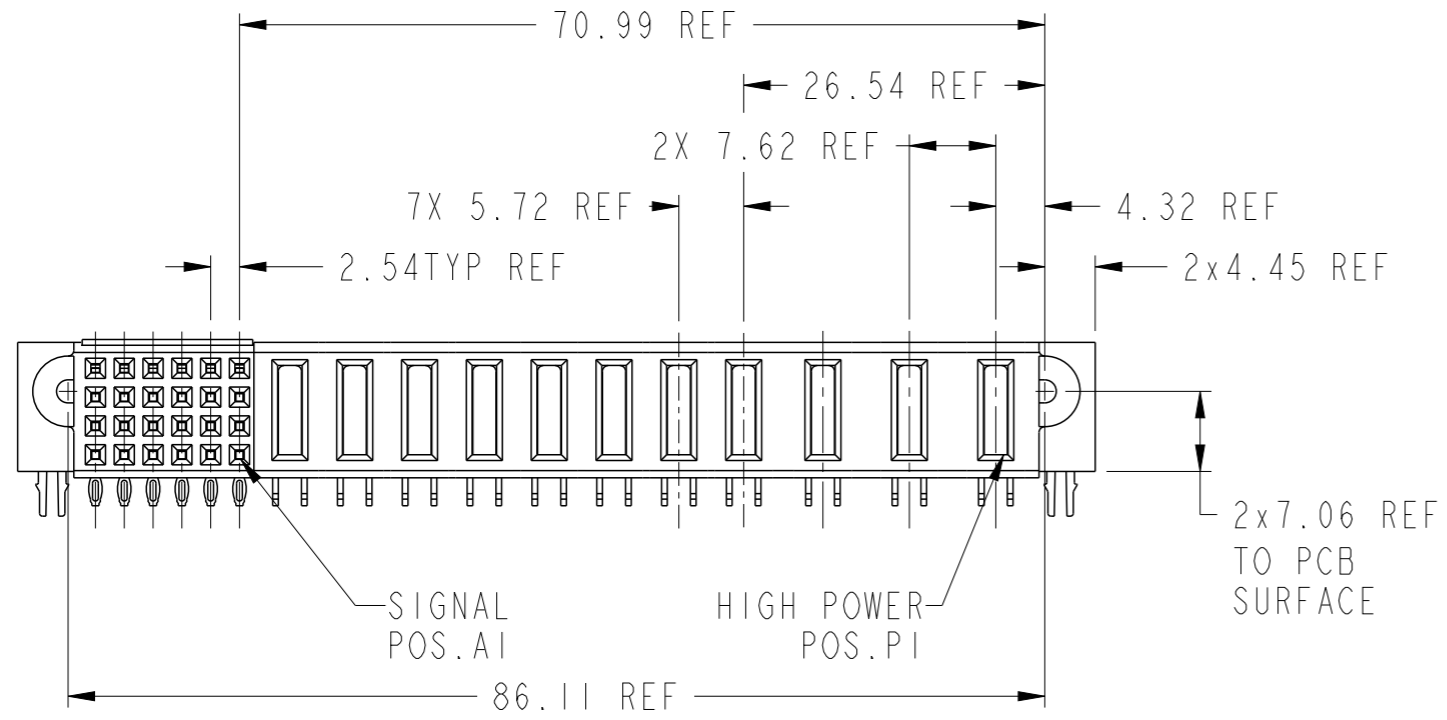
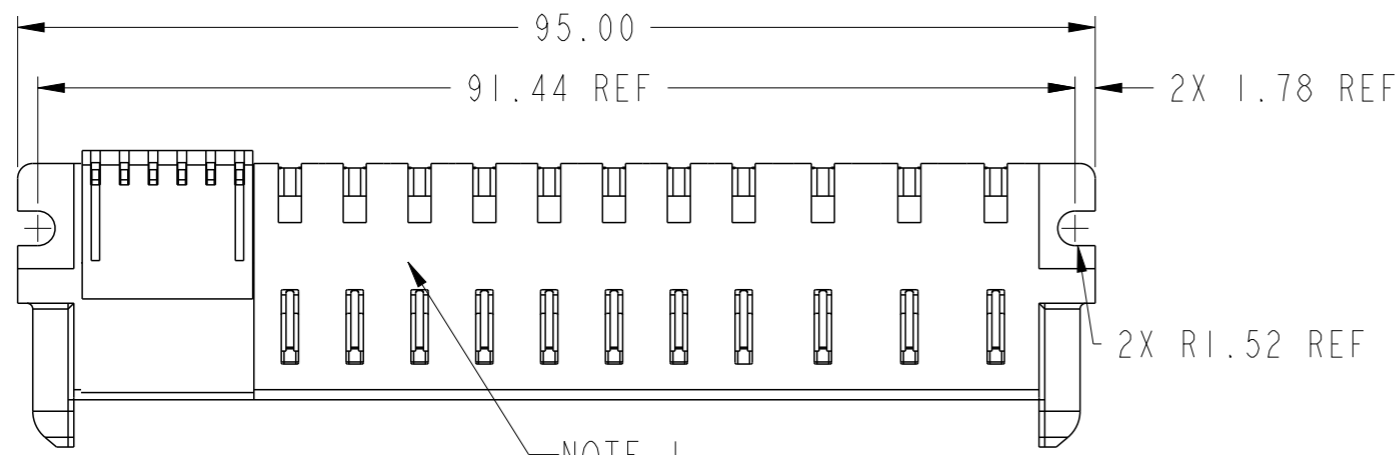
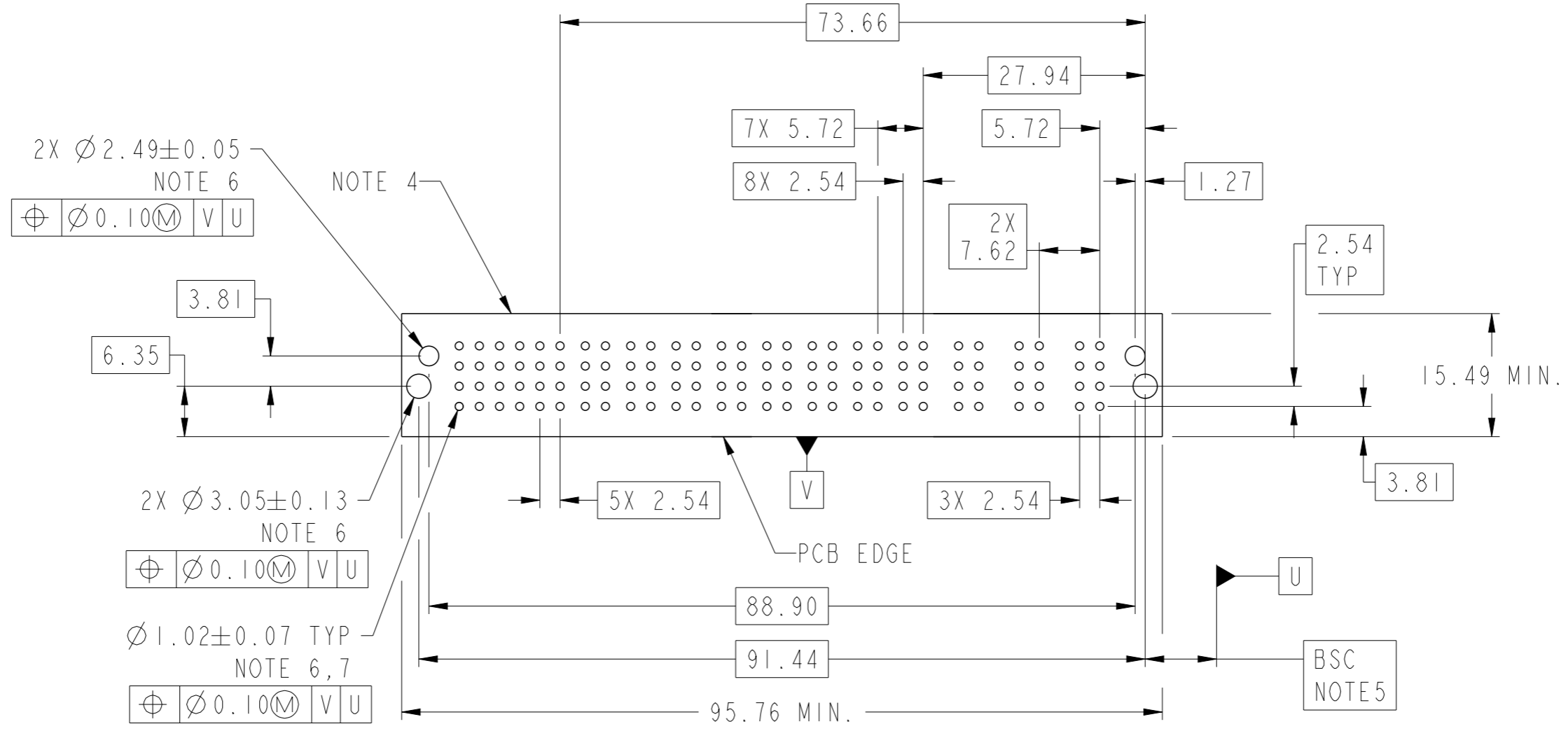
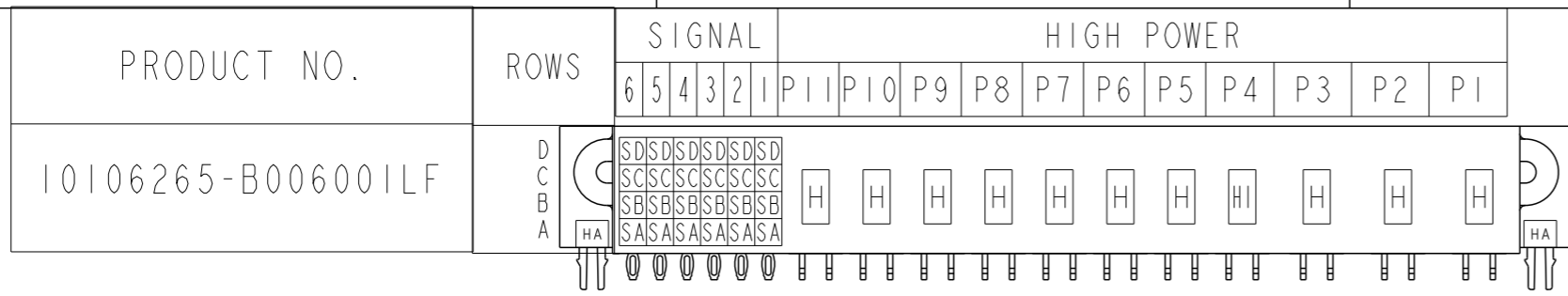


PART NUMBER 10106265-B006001LF



Copyright FCI.

spec ref	*	dr	Peng-Bing Fu	2012/03/09	projection	mm	size	A3	scale	3:2
tolerance std	ISO 406 ISO 1101	eng	Eddy Zeng	2013/10/21			ecn no	-	rel level	Released
TOLERANCES UNLESS OTHERWISE SPECIFIED		chr	Li-He	2013/10/17						
surface	linear	appr	Pei-Ming Zheng	2013/10/21	product family	PwrBlade+	rel level	Released		rev
ISO 1302	angular	0°	±2°	www.fci.com	cat. no.	-	Product - Customer Drw	sheet 1 of 3	dwg no	10106265-B006001
	0.X	±0.5								
	0.XX	±0.25								
	0.XXX	±0.10								
	angular	0°	±2°							



Copyright FCI.

CODE	DESCRIPTION
H	STD HIGH POWER CONTACT
HI	FMLB HIGH POWER CONTACT
SA	STD SIGNAL CONTACT, ROW A
SB	STD SIGNAL CONTACT, ROW B
SC	STD SIGNAL CONTACT, ROW C
SD	STD SIGNAL CONTACT, ROW D
HA	METAL HOLD DOWN

dr	Peng-Bing Fu	2012/03/09	projection	mm	size	A3	scale	3:2
eng	Eddy Zeng	2013/10/21		← →	ecn no	-	rel level	Released
chr	Li-He	2013/10/17						
appr	Pei-Ming Zheng	2013/10/21	product family	PwrBlade+				
			3ACP + 8HP + 24S RA PF RECEPTACLE		dwg no 10106265-B006001	rev A		
www.fci.com			cat. no.	-	Product - Customer Drw		sheet 2 of 3	

NOTES:

- 1) "FCI", PART NUMBER AND DATE CODE TO BE MARKED ON THIS SURFACE.
THE P/N CAN BE OMITTED IF THERE IS NOT ENOUGH SPACE ON THIS SURFACE.
- 2) MATERIALS:
-HOUSING - GLASS FILLED WITH HIGH TEMP THERMOPLASTIC, UL94V-0.
-SIGNAL CONTACT - COPPER ALLOY.
-POWER CONTACT - HIGH CONDUCTIVITY COPPER ALLOY.
- 3) PLATING SPECIFICATION REFER TO FCI 10116351
- 4) DENOTES CONNECTOR KEEP OUT ZONE.
- 5) DATUM AND BASIC DIMENSIONS WERE ESTABLISHED BY CUSTOMER.
- 6) ALL HOLE DIAMETERS ARE FINISHED HOLE SIZES.
- 7) 1.15 ± 0.025 MM DRILLED HOLE PLATED WITH 0.00762MM MIN Sn
OVER 0.0254-0.0762MM Cu PLATING TO ACHIEVE A 1.02 ± 0.07 MM HOLE.
- 8) PRODUCT SPECIFICATION REFER TO FCI GS-12-658.
APPLICATION SPECIFICATION REFER TO FCI GS-20-141.
PRODUCT PACKAGED IN TRAYS, REFER TO FCI GS-14-1502.



Copyright FCI.

dr	Peng-Bing Fu	2012/03/09	projection 	mm 	size	A3	scale	3:2
eng	Eddy Zeng	2013/10/21			ecn no	-		
chr	Li-He	2013/10/17			rel level	Released		
appr	Pei-Ming Zheng	2013/10/21	product family	PwrBlade+				
		title 3ACP + 8HP + 24S RA PF RECEPTACLE		dwg no 10106265-B006001	rev A			
www.fci.com		cat. no.	-	Product - Customer Drw		sheet 3 of 3		