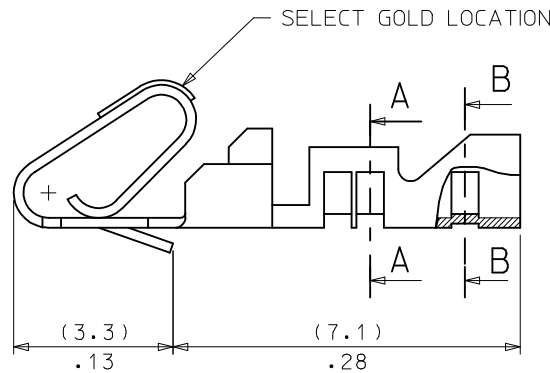
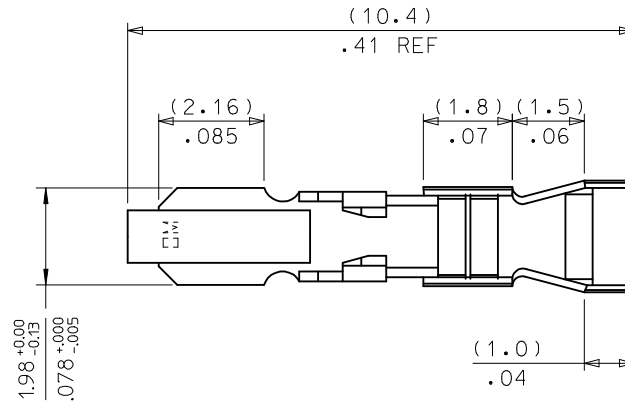
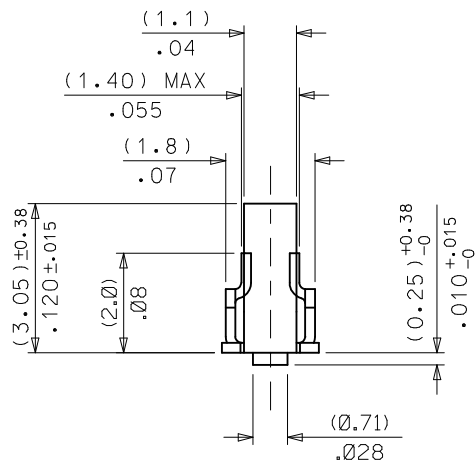


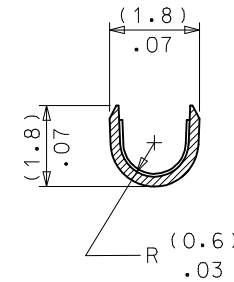
TOP FEEDING REEL WINDING DIRECTION



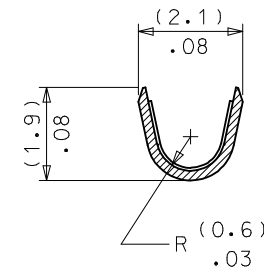
PART No.	ENG No.	FORM	FINISH
08-65-0105	8088-(555)	CHAIN	555
08-65-0106	8088-(555)L	LOOSE	

LEGEND

8088-(\*\*\*)\*  
 PLATING CODE ——— BLANK = CHAIN FORM, TOP FEEDING REEL  
 L = LOOSE FORM



A-A



B-B

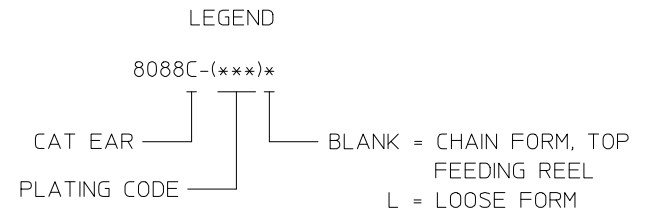
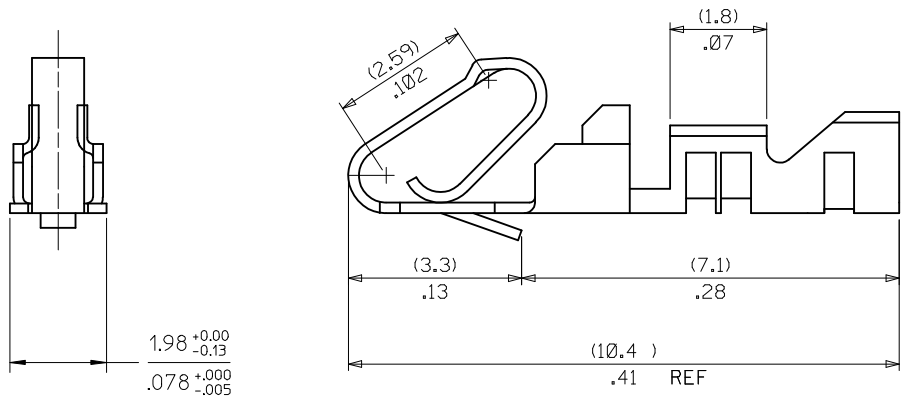
NOTES:

- MATERIAL: PHOS. BRONZE
- FINISH:  
555 = 0.00038/.000015 MIN. SELECT GOLD IN CONTACT AREA OVER (0.00076)/.000030 MIN. NICKEL OVERALL
- PRODUCT SPECIFICATION: PS-99020-0088.
- FOR 22-30 AWG WIRE: (1.57)/.062 DIA MAX INSULATION
- THIS PART CONFORMS TO CLASS B REQUIREMENTS OF MOLEX COSMETIC SPECIFICATION PS-45499-002.

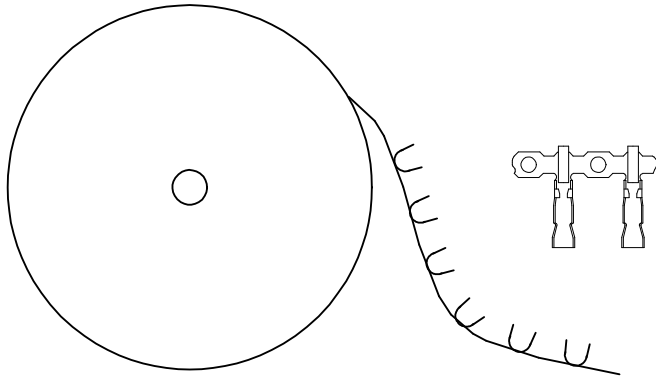
CUT-OFF TOLERANCE EC NO: UCP2013-5579 DRAWN: KIPPER 2013/06/27 CHKD: BELL 2013/06/27 APPR: F SMITH 2013/07/16	QUALITY SYMBOLS ▽E=0 ▽E=0 ▽E=0	GENERAL TOLERANCES (UNLESS SPECIFIED)		DIMENSION STYLE		SCALE	DESIGN UNITS	THIRD ANGLE PROJECTION		
		mm	INCH	MM/IN		10:1	METRIC			
		4 PLACES ± --- ± ---		DRAWN BY	DATE	TITLE				
		3 PLACES ± --- ± .010		T. MAHON	1998/10/26	KK (2.54)/.100 ANTI-FISH HOOKING TERMINAL 22-30 AWG				
		2 PLACES ± 0.25 ± .020		CHECKED BY	DATE	DOCUMENT NO. SD-8088-****				
		1 PLACE ± 0.51 ± ---		DMOR I ARTY	2006/09/14					SHEET NO. 1 OF 1
		0 PLACE ± ±		APPROVED BY	DATE	THIS DRAWING CONTAINS INFORMATION THAT IS PROPRIETARY TO MOLEX INCORPORATED AND SHOULD NOT BE USED WITHOUT WRITTEN PERMISSION				
				JDENNEHY	2006/09/14					
		ANGULAR ±1/2°		MATERIAL NO.						
		DRAFT WHERE APPLICABLE MUST REMAIN WITHIN DIMENSIONS		SEE CHART						
		SIZE B								

10 9 8 7 6 5 4 3 2 1

PART No.	ENG No.	FORM	FINISH SEE NOTE 2
08-52-0105	8088C-(P918)	CHAIN	(P918)
08-52-0106	8088C-(P918)L	LOOSE	(P918)



- NOTES:
- MATERIAL: PHOS. BRONZE ALLOY
  - FINISH:  
(P918) = HOT TIN DIP (0.00102-0.00305)/.000040-.000120
  - PRODUCT SPECIFICATION: PS-99020-0088
  - SAME AS SD-8088-\*\*\*\* EXCEPT CAT EARS.  
SEE SD-8088-\*\*\*\* FOR OTHER DIMENSIONS.
  - FOR 22-30 AWG WIRE, (1.57)/.062 MAX DIA INSULATION
  - THIS PART CONFORMS TO CLASS B REQUIREMENTS OF COSMETIC SPECIFICATION PS-45499-002.



TOP FEEDING REEL WINDING DIRECTION

CUT-OFF TOLERANCE EC NO: UCP2013-5579 DRAWN/KIPPER 2013/06/27 CHKD:JBELL 2013/06/27 APPR:FSMITH 2013/07/16	QUALITY SYMBOLS ▽7=0 ▽7=0 ▽7=0	GENERAL TOLERANCES (UNLESS SPECIFIED)		DIMENSION STYLE MM ONLY		SCALE 10:1	DESIGN UNITS METRIC	THIRD ANGLE PROJECTION		
			mm	INCH	DRAWN BY T.MAHON	DATE 1998/10/26	TITLE TERMINAL - ANTI FISH HOOKING KK .100 CTR REF WITH CAT EARS			
		4 PLACES	± ---	± ---	CHECKED BY	DATE				
		3 PLACES	± ---	± .010	D.MORIARTY	2006/09/14				
			2 PLACES	± 0.25	± .020	APPROVED BY JDENNEHY	DATE 2006/09/14	DOCUMENT NO. SD-8088C-****		
			1 PLACE	± 0.51	± ---	SHEET NO. 1 OF 1				
			0 PLACE	±	±	MATERIAL NO.				
			ANGULAR ±1/2°		DRAFT WHERE APPLICABLE MUST REMAIN WITHIN DIMENSIONS		SIZE B			

9 8 7 6 5 4 3 2 1