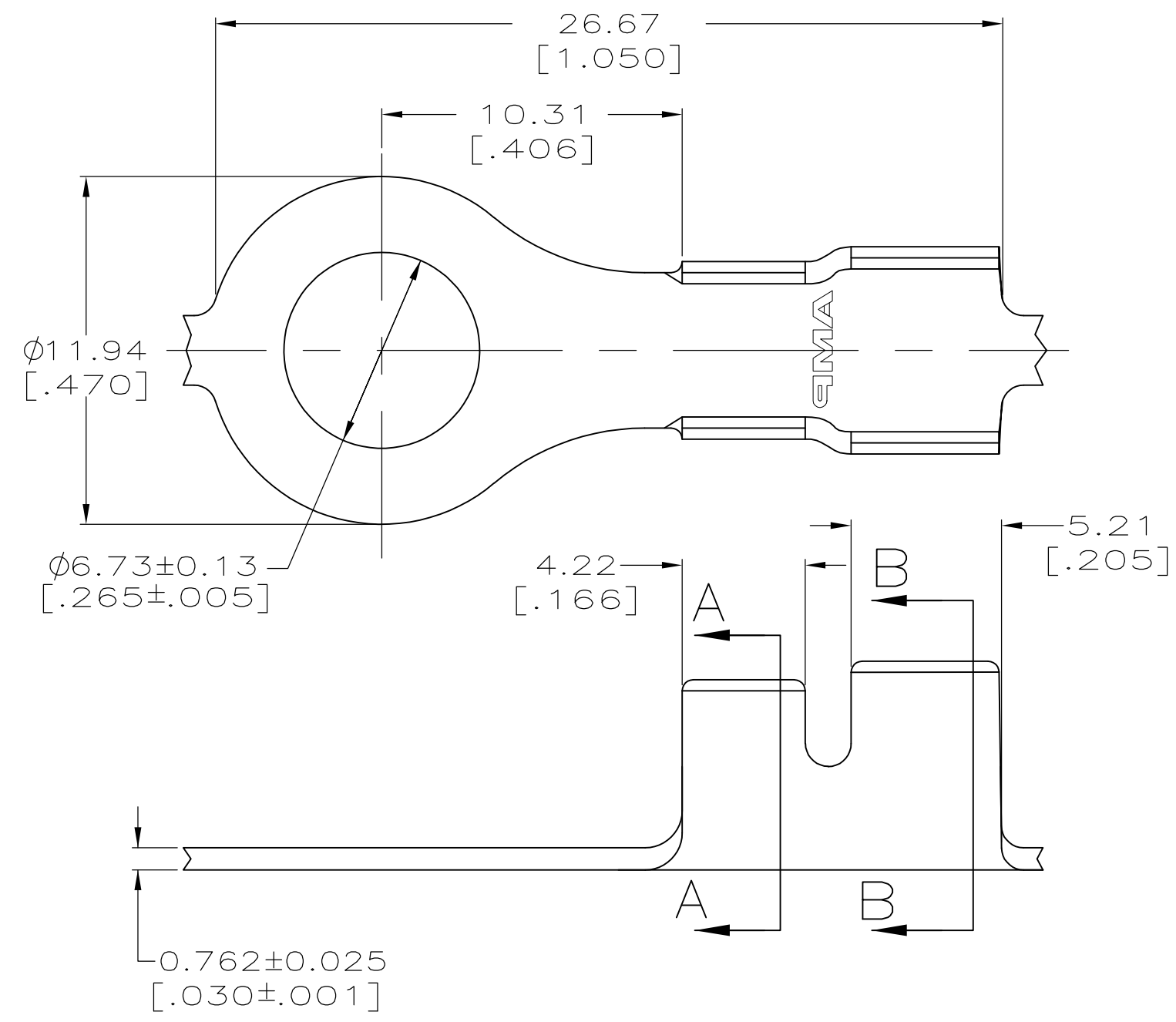
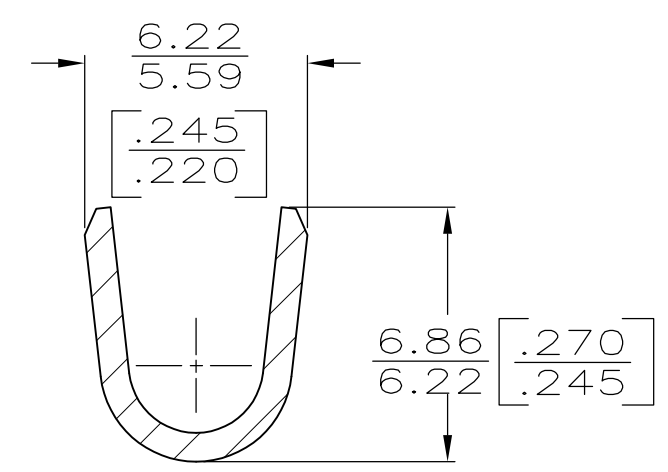


THIS DRAWING IS UNPUBLISHED. RELEASED FOR PUBLICATION
 © COPYRIGHT BY TYCO ELECTRONICS CORPORATION. ALL INTERNATIONAL RIGHTS RESERVED.

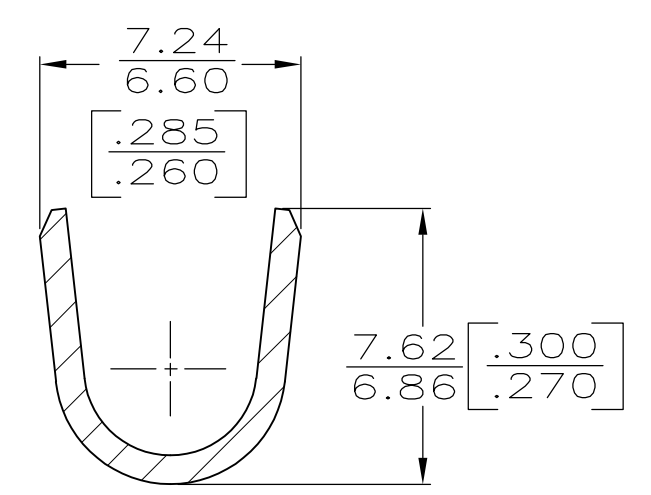
LOC	DIST	REVISIONS					
AF	50	P	LTR	DESCRIPTION	DATE	DWN	APVD
			H	REVISED PER ECR-10-006099	09JUL10	HMR	PD



1. CONTINUOUS STRIP ON REEL.



SECTION A-A



SECTION B-B

3.81-5.33 [.150-.210] DIA	12-10 AWG	62691-2
INSULATION RANGE	WIRE RANGE	PART NUMBER

THIS DRAWING IS A CONTROLLED DOCUMENT.		DWN PHILLIP M FORTNEY 29JAN1999	Tyco Electronics Corporation Harrisburg, PA 17105-3608	
DIMENSIONS: mm [INCHES]	TOLERANCES UNLESS OTHERWISE SPECIFIED:	CHK JEFF R RUTH 29JAN1999	NAME	
	0 PLC ± -	APVD JEREMY DUNCAN 29JAN1999	RING	
	1 PLC ± -	PRODUCT SPEC	-	
	2 PLC ± 0.38 [.015]	APPLICATION SPEC	SIZE	CAGE CODE
	3 PLC ± -		A3	00779
	4 PLC ± -		DRAWING NO	C-62691
	ANGLES ± -		RESTRICTED TO	-
MATERIAL	FINISH	WEIGHT	CUSTOMER DRAWING	
081 BRASS	TIN	-	SCALE	5:1
			SHEET	1 OF 1
			REV	H