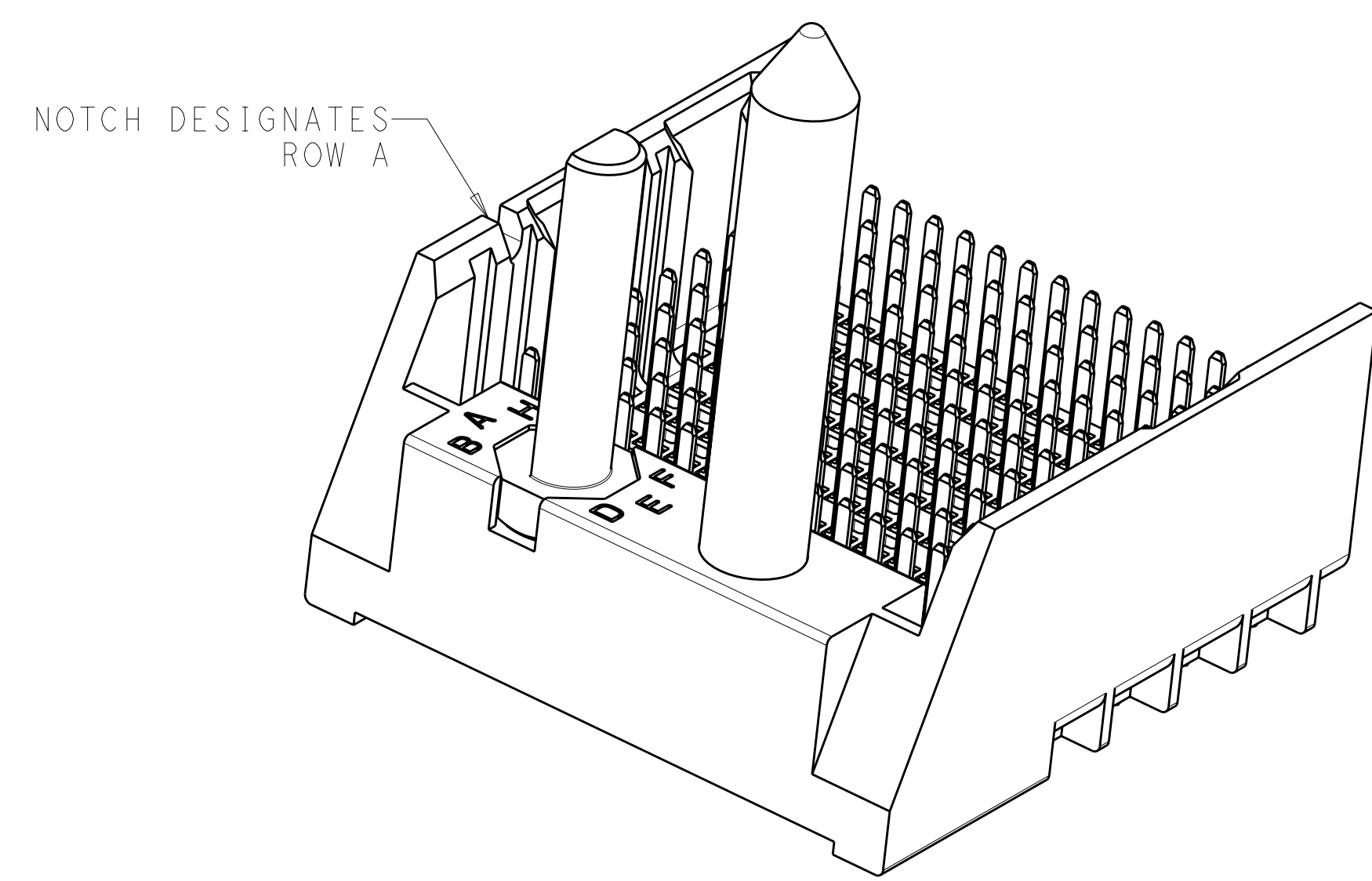
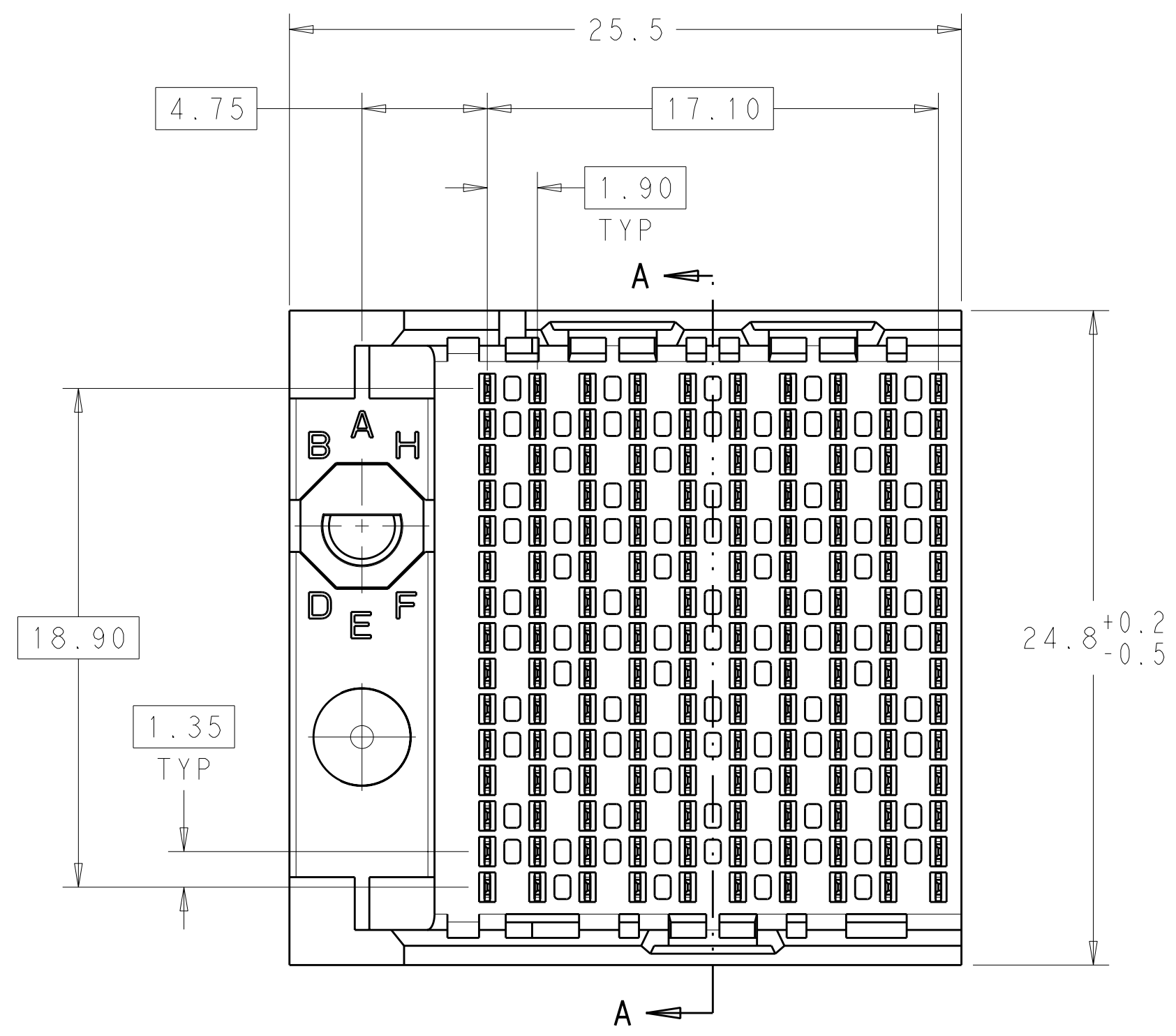
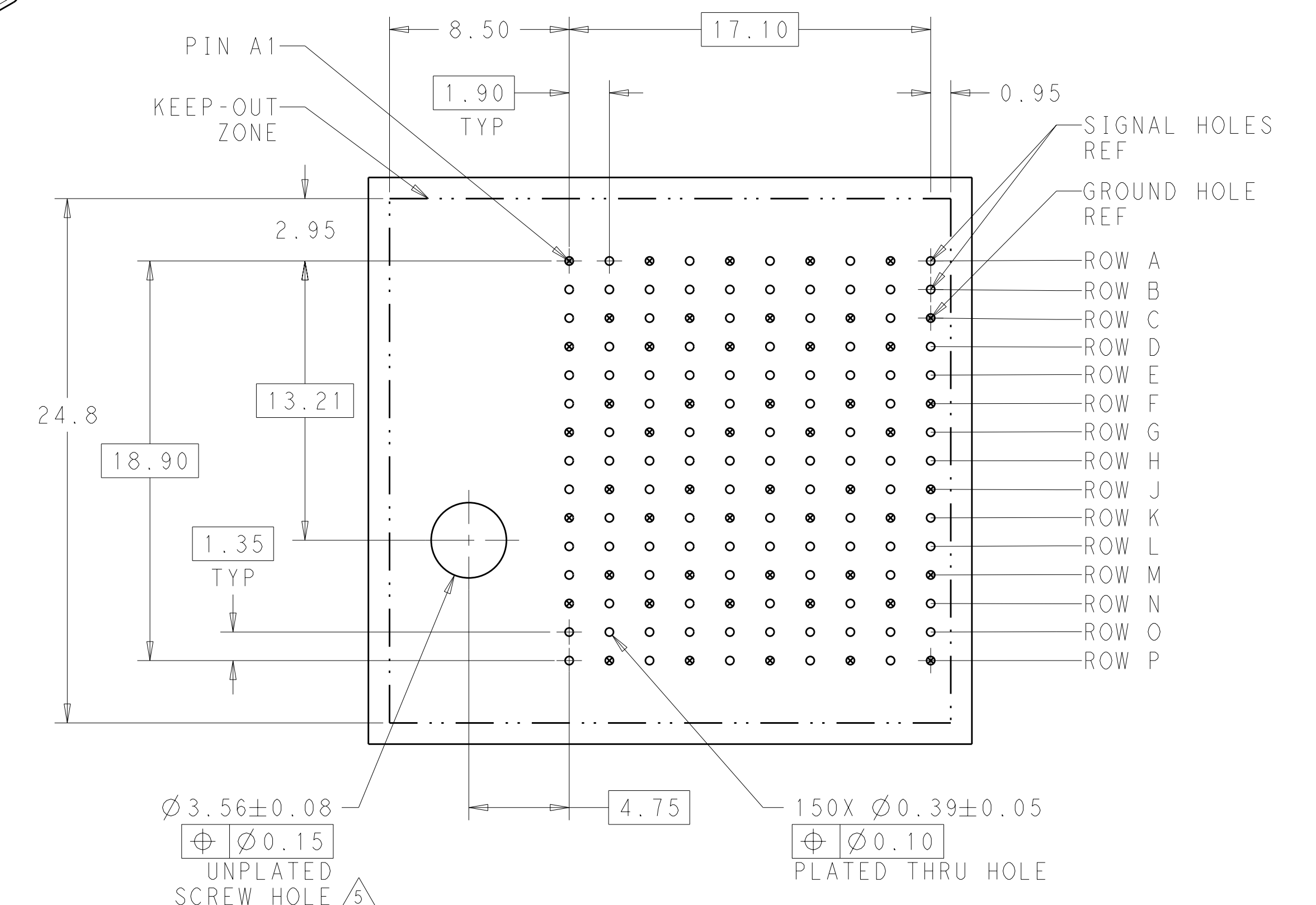


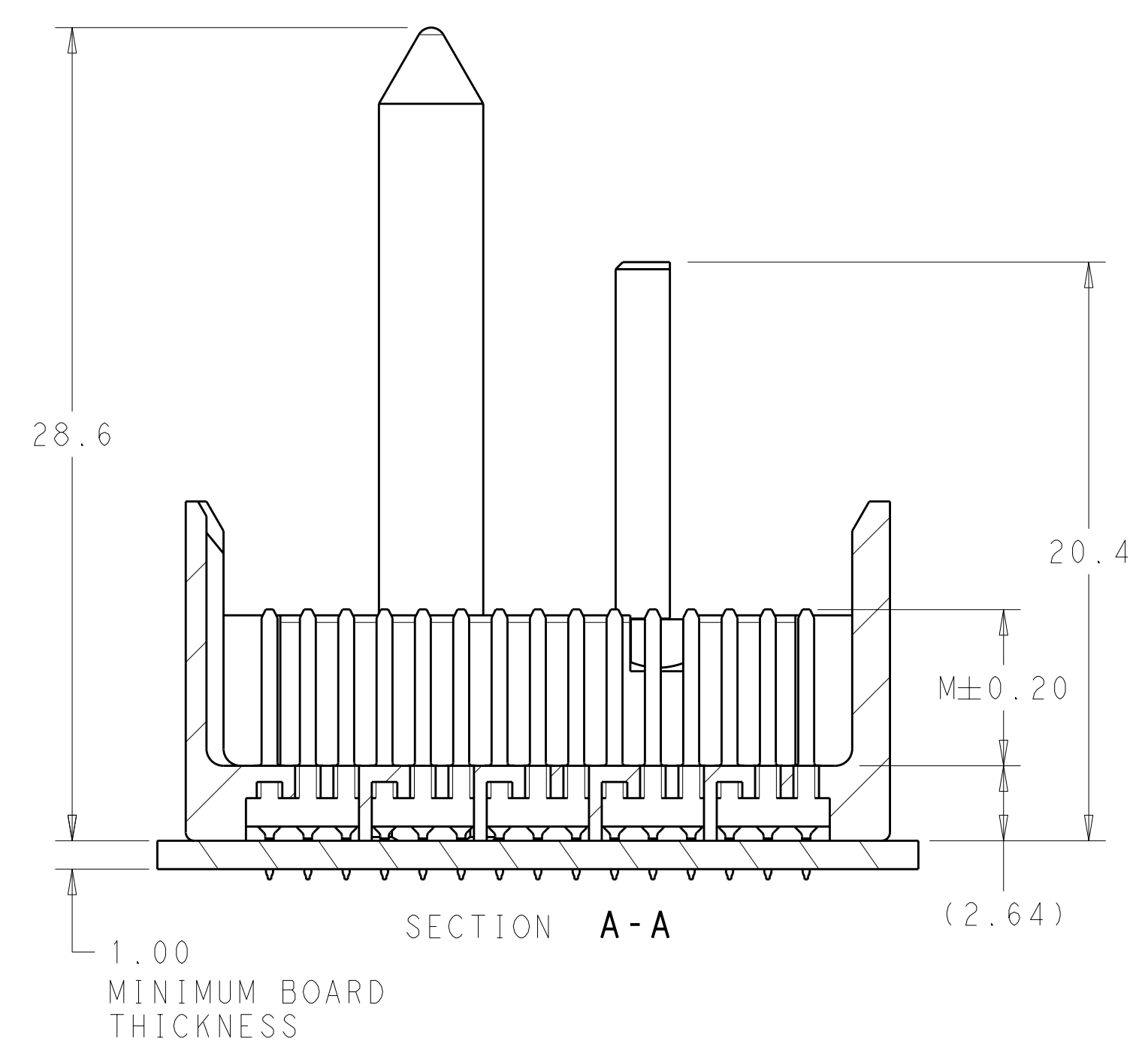
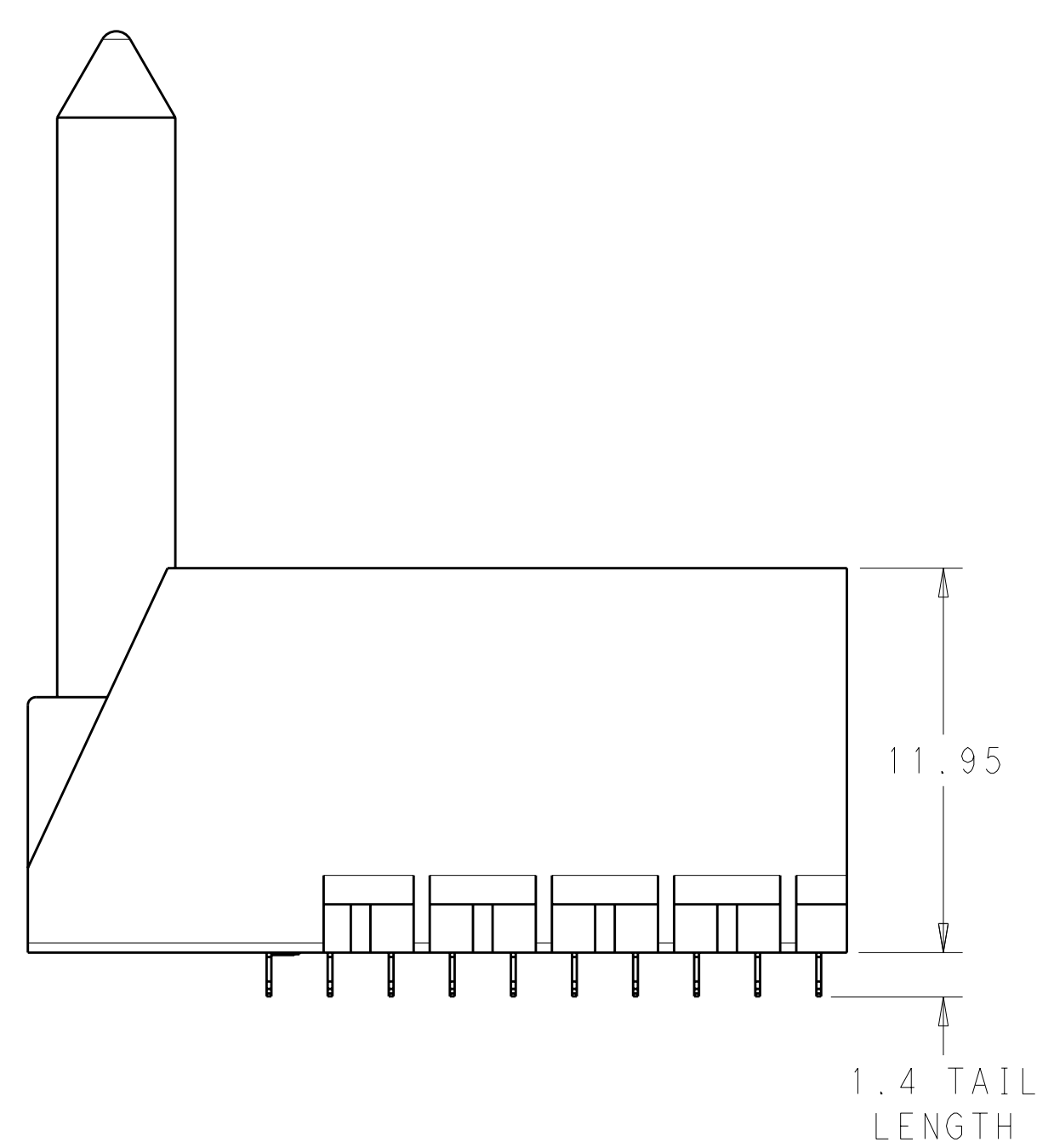
LOC		DIST		REVISIONS			
AD	00	REV	DATE	BY	CHK	APP	DATE
1			24FEB2011	JKS			
A			24FEB2012	BC	DY		



- 1 MATERIAL:  
HOUSING: LCP, GLASS FILLED, UL94V-0.  
TERMINALS: HIGH PERFORMANCE COPPER ALLOY.
- 2 FINISH:  
30µ" MIN GOLD IN CONTACT AREA. SELECTIVE TIN ON PCB TAILS, NICKEL OVERALL.
- 3 FINISH:  
30µ" MIN GOLD IN CONTACT AREA. SELECTIVE TIN-LEAD ON PCB TAILS, NICKEL OVERALL.
- 4. SCREWS PACKAGED IN END OF PACKAGING TUBE.
- 5 FOR GROUNDED GUIDE PIN USE Ø3.56±0.08 PTH, Ø3.66 DRILL, AND Ø6.5 PAD.
- 6. KEYING PIN SHOWN IN POSITION A, SEE KEYING CHART ON SHEET 2 FOR OTHER POSITIONS.



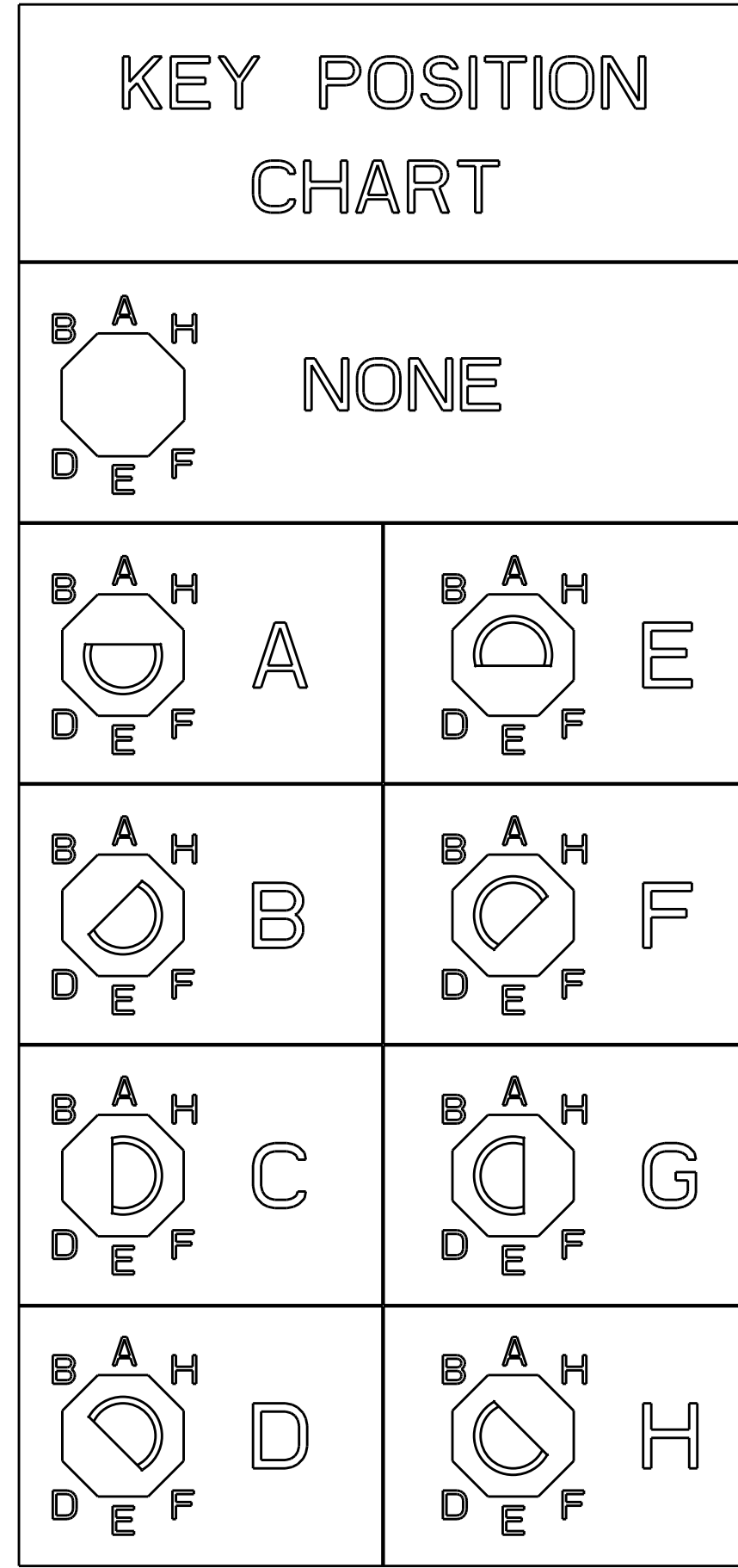
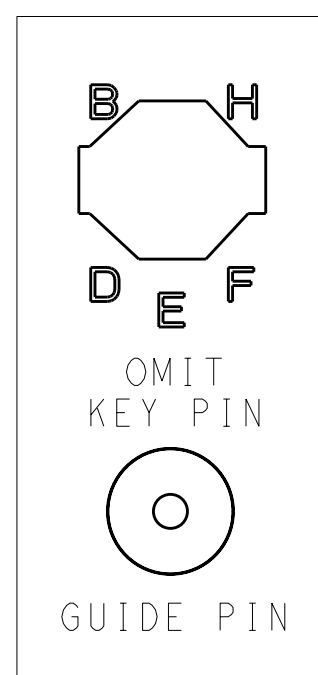
LEFT GUIDED BACKPLANE HOLE PATTERN (CONNECTOR SIDE)



THIS DRAWING IS A CONTROLLED DOCUMENT.		DWN J. K. SHOBER 24FEB2011	TE Connectivity
DIMENSIONS: mm		CHK J. EARY 24FEB2011	
TOLERANCES UNLESS OTHERWISE SPECIFIED:		APVD J. EARY 24FEB2011	NAME IMPACT, 5 PAIR, 10 COLUMN, HEADER
0 PLC ±	1 PLC ±0.25	PRODUCT SPEC	LEFT GUIDED, OPEN END WALL
2 PLC ±0.13	3 PLC ±	APPLICATION SPEC	SELECT LOAD, SIGNAL MODULE, 0.39 PTH
4 PLC ±	ANGLES ±	WEIGHT	SIZE CAGE CODE DRAWING NO. RESTRICTED TO
MATERIAL	FINISH SEE TABLE	SCALE 5:1	SHEET 1 OF 2
CUSTOMER DRAWING		REV A	

LOC	DIST	REV	DATE	BY	APPD
AD	00	-	-	-	-
DESCRIPTION			DATE	DWN	APPD
SEE SHEET 1			-	-	-

2180313-1		△								
PART NUMBER		FINISH								
CONTACT LAYOUT										
A = 4.5mm (DIM M)										
B = 4.9mm (DIM M)										
C = 5.5mm (DIM M)										
COLUMNS										
	1	2	3	4	5	6	7	8	9	10
A	A	C	C	C	C	C	C	C	C	C
B	C	C	C	C	C	C	C	C	C	C
C	C	C	C	C	C	C	C	C	C	C
D	C	C	C	C	C	C	C	C	C	C
E	C	C	C	C	C	C	C	C	C	C
F	C	C	C	C	C	C	C	C	C	C
G	C	C	C	C	C	C	C	C	C	C
H	C	C	C	C	C	C	C	C	C	C
J	C	C	C	C	C	C	C	C	C	C
K	C	C	C	C	C	C	C	C	C	C
L	C	C	C	C	C	C	C	C	C	C
M	C	C	C	C	C	C	C	C	C	C
N	C	C	C	C	C	C	C	C	C	C
O	C	C	C	C	C	C	C	C	C	C
P	C	C	C	C	C	C	C	C	C	C



REFER TO WWW.TE.COM FOR PRODUCT AVAILABILITY

THIS DRAWING IS A CONTROLLED DOCUMENT.		DWN	J. K. SHOBER	24FEB2011	
DIMENSIONS: mm		CHK	J. EARY	24FEB2011	
TOLERANCES UNLESS OTHERWISE SPECIFIED:		APVD	J. EARY	24FEB2011	NAME
9 PLC	±	PRODUCT SPEC		IMPACT, 5 PAIR, 10 COLUMN, HEADER	
2 PLC	±0.25	APPLICATION SPEC		LEFT GUIDED, OPEN END WALL	
5 PLC	±0.13	WEIGHT		SELECT LOAD, SIGNAL MODULE, 0.39 PTH	
4 PLC	±	MATERIAL		SIZE CAGE CODE DRAWING NO RESTRICTED TO	
ANGLES	±	FINISH		A1100779C=2180313	
SEE TABLE		CUSTOMER DRAWING		SCALE 5:1 SHEET 2 OF 2 REV A	