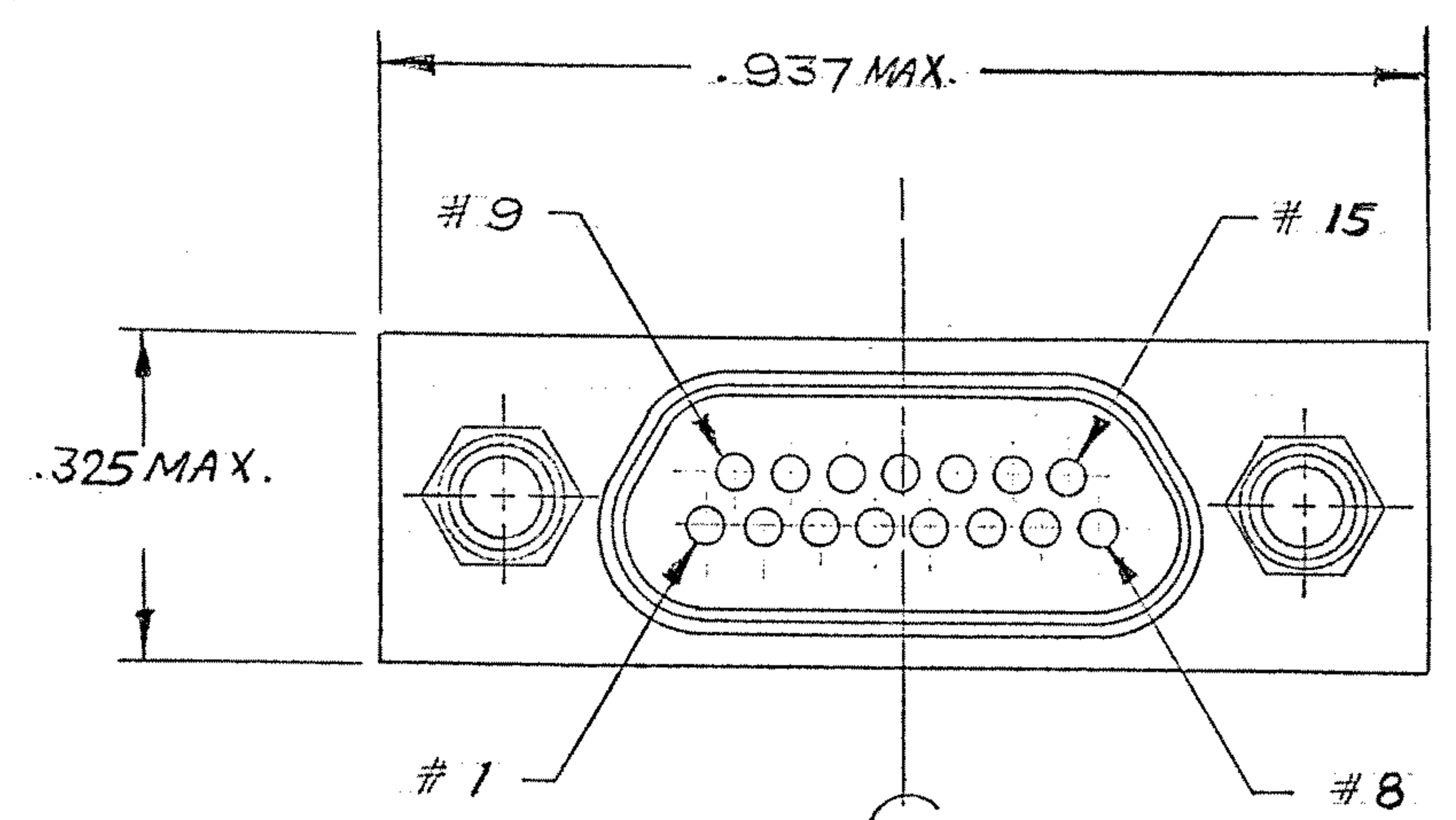


REVISIONS					
ZONE	LTR	DESCRIPTION	DATE	ENG	APPROVED
	D1	Update Per ECO-11-016360	8/10/11	PJS	CEP



BUSHING
STAINLESS STEEL
TYPE 303, CONDA
ASTM A484 & A582

MARKING
AREA
(FAR SIDE)

INSULATOR, POLYPHENYLENE
SULFIDE RYTON R4-04 COLOR BRN.

CONTACT SOCKET
COPPER ALLOY
GOLD PLATED

HEX NUT,
STAINLESS STEEL
PASSIVATED

INTERFACIAL SEAL
FLUOROSILICONE
RUBBER, COLOR BLUE

.250 ± .010

.100 TYP.

LEADS
SOLDER DIPPED

.109 ± .015

.050 TYP.

.100 TYP.

T.B. HOUSING
POLYPHENYLENE SULFIDE
RYTON R4-04 COLOR BRN.

SECTION A-A

A

NEXT ASSY	USED ON
APPLICATION	

QTY REQD	CODE IDENT	PART OR IDENTIFYING NO.	NOMENCLATURE OR DESCRIPTION	
PARTS LIST				
UNLESS OTHERWISE SPECIFIED DIMENSIONS ARE IN INCHES TOLERANCES ARE:		CONTRACT NO.		
FRACTIONS ±	DECIMALS .XX ± .XXX ±	ANGLES ±	TE Connectivity	
MATERIAL		APPROVALS	DATE	METAL SHELL 90° LO-PROFILE
		DRAWN <i>[Signature]</i> 2/27/92		MCK-**P-15SRT
		CHECKED		(MIL-C-83513)
		PR. ENG. <i>[Signature]</i>		094-4206-7000
		APPD.		PROD. CODE 845
FINISH		SIZE	CODE IDENT NO.	DRAWING NO.
		C	98278	3-1532133-3
NEXT ASSY		These drawings and specifications are the property of Microdot Inc. are issued in strict confidence and shall not be divulged, be reproduced or copied, or used as the basis for the manufacture or sale of any article without written permission of Microdot Inc.		
USED ON		SCALE	SHEET 1 OF 1	
APPLICATION		DO NOT SCALE DRAWING		