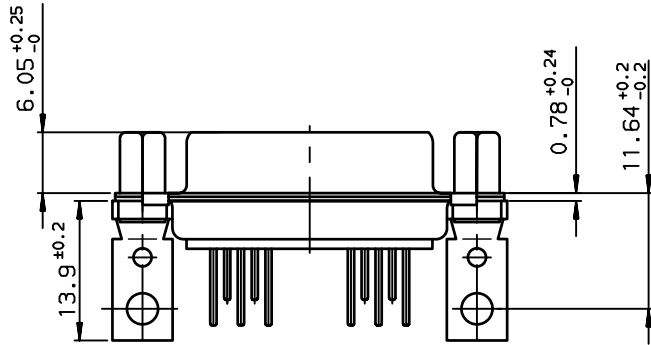
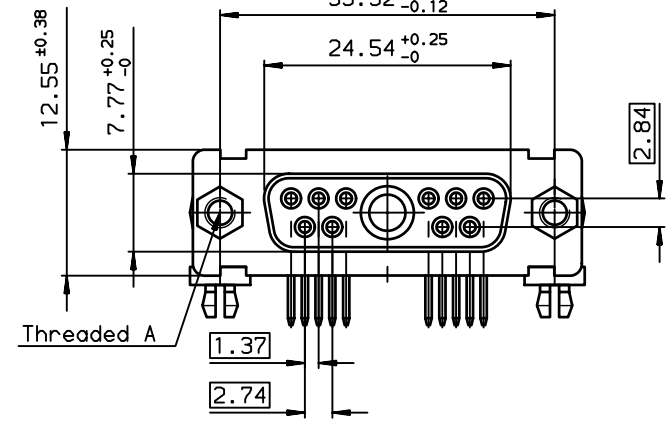
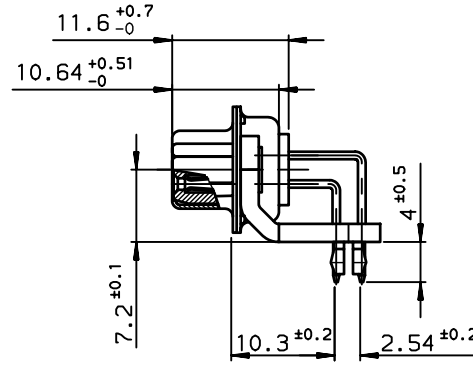
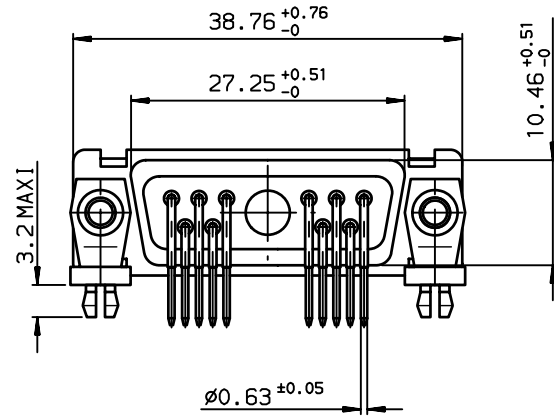


GENERAL CHARACTERISTICS and RoHS INFORMATIONS

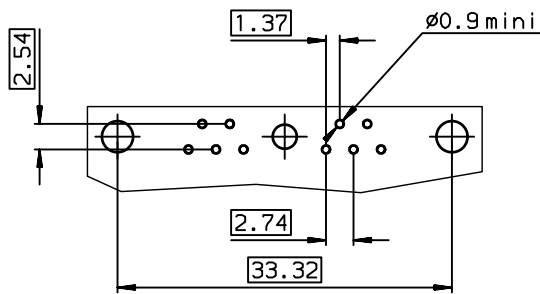
see drawing C01-8639-0003



P/N LEAD FREE

DAV11W1S500G00LF	UNC 4.40
PART NUMBER	Threaded A

LAYOUT DIMENSIONS (after plating)
CONNECTOR SIDE VIEW



European Views

www.fciconnect.com		surface ISO 1302 ✓	tolerance std ISO 406 ISO 1101	projection 	mm																																								
TOLERANCES UNLESS OTHERWISE SPECIFIED																																													
ANGULAR	LINEAR	0.X	±0.1	size A3	Scale 2																																								
0.XX' ±2'		0.XX	±0.1	ECN LS08-0012																																									
		0.XXX	±0.1	Product family D-SUB	Spec ref -																																								
<table border="1"> <thead> <tr> <th>rev</th> <th>ecn no</th> <th>dr</th> <th>date</th> </tr> </thead> <tbody> <tr> <td>A</td> <td>LS08-0012</td> <td>MPE</td> <td>2008/01/16</td> </tr> <tr> <td>-</td> <td>-</td> <td>-</td> <td>-</td> </tr> <tr> <td>-</td> <td>-</td> <td>-</td> <td>-</td> </tr> <tr> <td>-</td> <td>-</td> <td>-</td> <td>-</td> </tr> <tr> <td>-</td> <td>-</td> <td>-</td> <td>-</td> </tr> <tr> <td>-</td> <td>-</td> <td>-</td> <td>-</td> </tr> </tbody> </table>				rev	ecn no	dr	date	A	LS08-0012	MPE	2008/01/16	-	-	-	-	-	-	-	-	-	-	-	-	-	-	-	-	-	-	-	-	<table border="1"> <tr> <td>Dr</td> <td>M PESSON</td> <td>2008/01/16</td> </tr> <tr> <td>Eng</td> <td>PESSON</td> <td>2008/01/16</td> </tr> <tr> <td>Chr</td> <td>LEGARE</td> <td>2008/01/16</td> </tr> <tr> <td>Appr</td> <td>LEGARE</td> <td>2008/01/16</td> </tr> </table>		Dr	M PESSON	2008/01/16	Eng	PESSON	2008/01/16	Chr	LEGARE	2008/01/16	Appr	LEGARE	2008/01/16
rev	ecn no	dr	date																																										
A	LS08-0012	MPE	2008/01/16																																										
-	-	-	-																																										
-	-	-	-																																										
-	-	-	-																																										
-	-	-	-																																										
-	-	-	-																																										
Dr	M PESSON	2008/01/16																																											
Eng	PESSON	2008/01/16																																											
Chr	LEGARE	2008/01/16																																											
Appr	LEGARE	2008/01/16																																											
				<table border="1"> <tr> <td>title</td> <td>SOCKET CONNECTOR 11W1 RA</td> <td>dwg no</td> <td>C-8639-2355</td> <td>Rev.</td> <td>A</td> </tr> <tr> <td>WITHOUT POWERS CONTACTS</td> <td></td> <td></td> <td></td> <td></td> <td></td> </tr> <tr> <td>catalog no</td> <td>-</td> <td>CUSTOMER</td> <td>sheet 1 of 1</td> <td></td> <td></td> </tr> </table>		title	SOCKET CONNECTOR 11W1 RA	dwg no	C-8639-2355	Rev.	A	WITHOUT POWERS CONTACTS						catalog no	-	CUSTOMER	sheet 1 of 1																								
title	SOCKET CONNECTOR 11W1 RA	dwg no	C-8639-2355	Rev.	A																																								
WITHOUT POWERS CONTACTS																																													
catalog no	-	CUSTOMER	sheet 1 of 1																																										

Copyright FCJ. FCJ