

DRAWING MADE IN AMERICAN PROJECTION

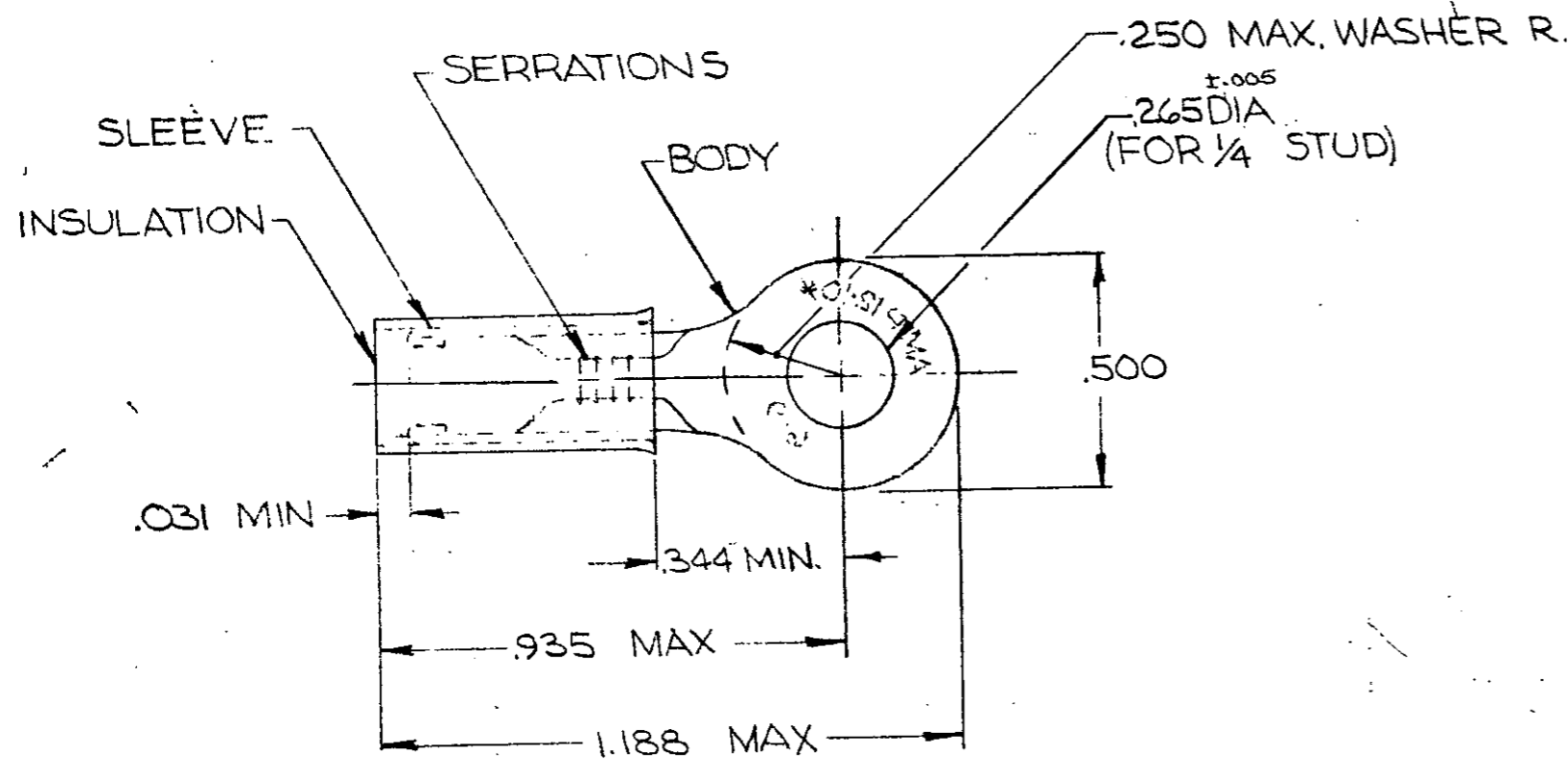
4

3

2

1

REVISIONS				
ZONE	LTR	DESCRIPTION	DATE	APPROVED
	J1	REVISED PER ECO-11-005294	07APR 11	HMR



FOR .150 TO .230 INSULATION DIA.
TONGUE MATERIAL THK = .040 ±.002

OBSOLETE
INACTIVE (D)

QTY	DESCRIPTION	PART NO.	MATERIAL & FINISH
50	LOOSE PC. BOX	8-35273-2	INSULATION, SLEEVE, AND BODY: SAME AS 35273
1	2-35273-1 ON TAPE	2-35273-3	INSULATION: GREEN PVC SLEEVE: COPPER (ASTM B152)
1	WIRE TERMINAL	2-35273-1	BODY: COPPER (ASTM B152) TIN PL (ASTM B545)
1	35273 ON TAPE	2-35273-2	INSULATION: YELLOW NYLON SLEEVE: COPPER (ASTM B152)
1	WIRE TERMINAL	35273	BODY: COPPER (ASTM B152) TIN PL (ASTM B545)

UNLESS OTHERWISE SPECIFIED DIMENSIONS ARE IN INCHES. TOLERANCES ON: DECIMALS ±.008 ANGLES ±5°

MATERIAL: SEE TABLE

CONTRACT NO. 4-23-70
DR: Wayne Millhous
CHK: M. Ensign
APPD: L. Waller 5-13-70
REL: K. Young 5-18-70
DSGN APPD:
OTHER APPD:

STE TE Connectivity
NAME: WIRE TERMINAL P.I.D.G. - RING TONGUE WIRE SIZE: 12-10
SIZE: B
CODE IDENT NO.: 00779
NUMBER: 35273
SCALE: N.T.S.
SHEET: 1 OF 1

CUSTOMER DRAWING

D
C
B
A
G
G
PRINT DIST

4

3

2