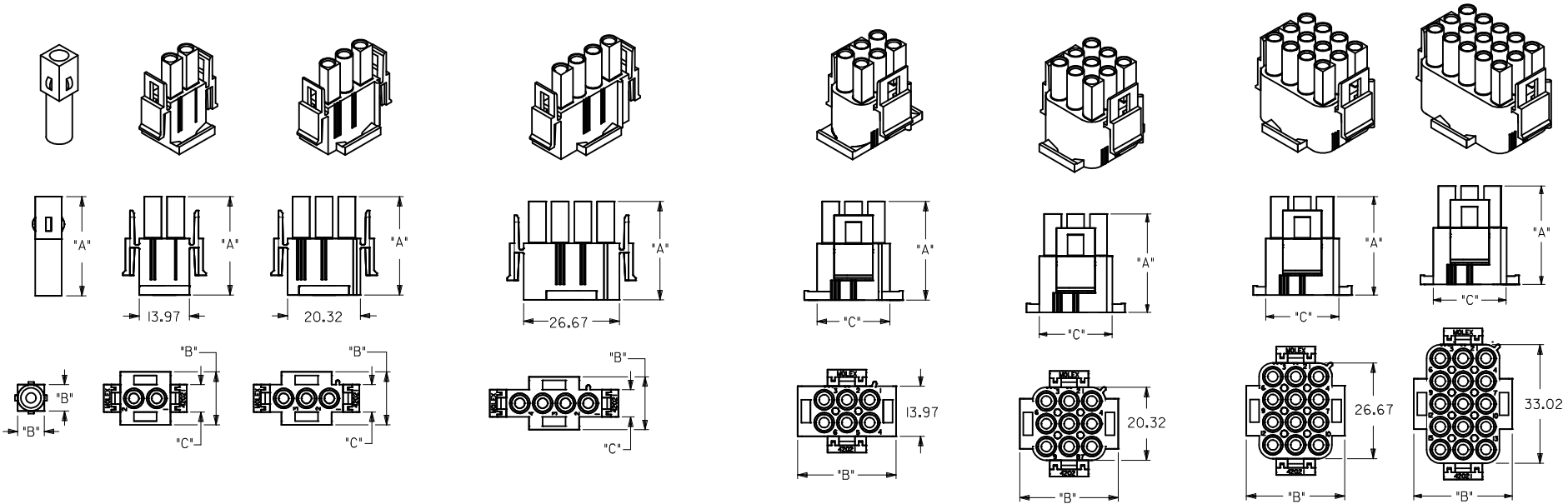


13 12 11 10 9 8 7 6 5 4 3 2 1



<b>ENTER DESCRIPTION</b> EC NO: 12013-0100 DRWN:HRAMAKRISHNA.2013/01/07 CHKD: CHIKO APPR:KPRASAD 2013/03/11 C6	QUALITY SYMBOLS ∇=0 ∇=0 ∇=0	GENERAL TOLERANCES (UNLESS SPECIFIED)		DIMENSION STYLE <b>MM ONLY</b>	SCALE <b>1:1</b>	DESIGN UNITS <b>METRIC</b>	THIRD ANGLE PROJECTION	
		4 PLACES ± --- ± ---	mm INCH	DRAWN BY RK	DATE 87/11/16	TITLE <b>HOUSING, PLUG                  2.13 DIA. SERIES</b>		
		3 PLACES ± --- ± .010		CHECKED BY GWF	DATE 87/11/16	<b>molex</b>		
		2 PLACES ± 0.25 ± 0.14		APPROVED BY GWF	DATE 87/11/16			
1 PLACE ± 0.36 ± ---		ANGULAR ± --- °		THIS DRAWING CONTAINS INFORMATION THAT IS PROPRIETARY TO MOLEX INCORPORATED AND SHOULD NOT BE USED WITHOUT WRITTEN PERMISSION				
0 PLACE ± ±		DRAFT WHERE APPLICABLE MUST REMAIN WITHIN DIMENSIONS						

12 11 10 9 8 7 6 5 4 3 2 1

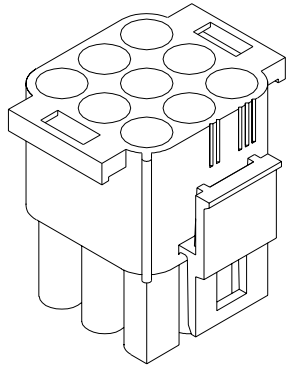
PART NO.	CIRCUIT SIZE	MATERIAL (SEE NOTE 1)	DIM "A"	DIM "B"	DIM "C"
050-84-1010	1	A	27.69	7.37	----
050-84-1015	1	C			
050-84-1020	2	A	27.61	14.73	7.62
050-84-1025	2	C			
050-84-1030	3	A	27.61	14.73	7.62
050-84-1035	3	C			
050-84-1040	4	A	27.61	14.73	7.62
050-84-1045	4	C			
050-84-1060	6	A	27.61	27.43	20.32
050-84-1065	6	C			
050-84-1090	9	A	27.61	27.43	20.32
050-84-1095	9	C			
050-84-1120	12	A	27.61	27.43	20.32
050-84-1125	12	C			
050-84-1150	15	A	27.61	27.43	20.32
050-84-1155	15	C			
366480001	1	D	27.43	7.37	----
366480002	2	D		14.73	7.62
366480003	3	D	27.43		
366480004	4	D			
366480005	6	D			
366480006	9	D			
366480007	12	D			
366480008	15	D			

**NOTES:**

- 1) MATERIAL CODES:
  - \*A= NYLON TYPE 6/6, 94V-2  
COLOR: NATURAL (WHITE/TRANSLUCENT)
  - \*C= NYLON TYPE 6/6, 94V-0  
COLOR: NATURAL (WHITE)
  - \*D= NYLON, 94V-2  
COLOR: BLACK (ZYTEL 101F)
- 2) UNLESS OTHERWISE INDICATED, DIMENSIONS ARE FOR REFERENCE ONLY.
- 3) PLUG HOUSINGS MATE WITH :
  - CAP HOUSINGS, 2.13 DIA. SERIES: (42022-\*\*)
  - HEADER ASSEMBLY HOUSINGS, 2.13 DIA. SERIES: (A-42002-\*\*\*\*\*)
- 4) HOUSINGS DESIGNED TO BE USED WITH TERMINALS :
  - PINS, 2.13 DIA. SERIES: (42023-\*\*\*\*\*)
  - SOCKETS, 2.13 DIA. SERIES: (42024-\*\*\*\*\*)
- 5) CONTACTS ARE ON 6.35 GRID CENTERLINE SPACING.
- 6) PRODUCT SPECIFICATION PS-42022-0001 APPLIES.
- 7) FOR GLOW EIRE COMPATIBLE PART NUMBERS REFER DOCUMENT NO SD-36643-009.

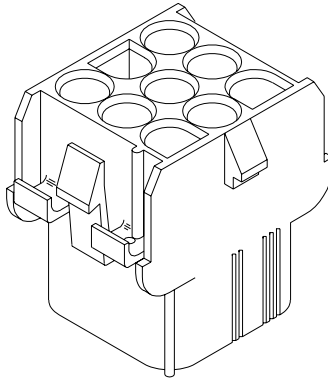
ENTER DESCRIPTION EC NO: 12013-0100 DRWN: MR/MAKRI/SHNA 2013/01/07 CHKD: APPR: KRASAD 2013/03/11 REV: C6	QUALITY SYMBOLS	GENERAL TOLERANCES (UNLESS SPECIFIED)	DIMENSION STYLE <b>MM ONLY</b>	SCALE 1:1	DESIGN UNITS METRIC	THIRD ANGLE PROJECTION
	▽=0	4 PLACES ± --- ± ---	mm INCH	DRAWN BY RK	DATE 87/11/16	TITLE HOUSING, PLUG 2.13 DIA. SERIES
	▽=0	3 PLACES ± --- ± .010		CHECKED BY GWF	DATE 87/11/16	
	▽=0	2 PLACES ± 0.25 ± 0.14		APPROVED BY GWF	DATE 87/11/16	
		1 PLACE ± 0.36 ± ---				
		0 PLACE ± ±				
		ANGULAR ± ---°		MATERIAL NO.	DOCUMENT NO.	SHEET NO. 2 OF 2
		DRAFT WHERE APPLICABLE MUST REMAIN WITHIN DIMENSIONS	SIZE A2	SEE TABLE SD-42021-**		
			THIS DRAWING CONTAINS INFORMATION THAT IS PROPRIETARY TO MOLEX INCORPORATED AND SHOULD NOT BE USED WITHOUT WRITTEN PERMISSION			

PLUG HOUSING



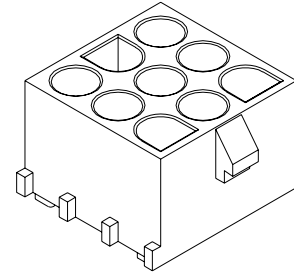
SD-42021-A (V-2)  
SD-42021-B (V-0)

CAP HOUSING



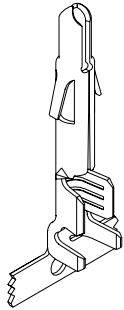
SD-42022-A (V-2)  
SD-42022-B (V-0)

HEADER ASSEMBLY



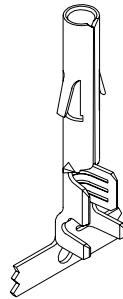
SDA-42002-A1-I (V-2, PIN TERMINALS)  
SDA-42002-B1-I (V-0, PIN TERMINALS)  
SDA-42002-A2-I (V-2, SOCKET TERMINALS)  
SDA-42002-B2-I (V-0, SOCKET TERMINALS)

SPLIT PIN TERMINAL



SD-42023-2A1 (BRASS, TIN PLATED)  
SD-42023-2A2 (BRASS, GOLD PLATED)  
SD-42023-2B1 (PHOSPHOR BRONZE, TIN PLATED)  
SD-42023-2B2 (PHOSPHOR BRONZE, GOLD PLATED)

SOCKET TERMINAL



SD-42024-1A1 (BRASS, TIN PLATED)  
SD-42024-1A2 (BRASS, GOLD PLATED)  
SD-42024-1B1 (PHOSPHOR BRONZE, TIN PLATED)  
SD-42024-1B2 (PHOSPHOR BRONZE, GOLD PLATED)

REV	DESCRIPTION
B	PEG NO. I2004-0443 DRWN: BSS 26/04/04 CHK: GJ 26/04/04 APPR: GJ 26/04/04

QUALITY SYMBOLS	MAJOR =
	CRITICAL =

GENERAL TOLERANCES: (UNLESS SPECIFIED)	
mm	INCH
4 PLACES ±0.	±.
3 PLACES ±0.	±.
2 PLACES ±0.	±.
1 PLACE ±0.	±.
ANGULAR: ± 1/2 °	
DRAFT WHERE APPLICABLE MUST REMAIN WITHIN DIMENSIONS	

SCALE	DESIGN UNITS
N.T.S.	<input type="checkbox"/> mm <input checked="" type="checkbox"/> INCH
DRAWN BY & DATE	
MAB 08/05/92	
CHECKED BY & DATE	
KBP 08/05/92	
APPROVED BY & DATE	
RAS 08/05/92	
CAD FILENAME	
SDIN42002.DGN	

DIMENSIONS:		SHT	REV
<input type="checkbox"/> mm <input checked="" type="checkbox"/> INCH	<input type="checkbox"/> mm ONLY		
70° IRD ANGLE PROJECTION			
TITLE: MLX CONNECTOR FAMILY			
MOLEX INCORPORATED			
MATERIAL NO.	DRAWING NO.	SHEET NO.	
PRELIMINARY	SDIN-42022-0001	1 OF 1	
THIS DRAWING CONTAINS INFORMATION THAT IS PROPRIETARY TO MOLEX INCORPORATED AND SHOULD NOT BE USED WITHOUT WRITTEN PERMISSION.			SIZE C