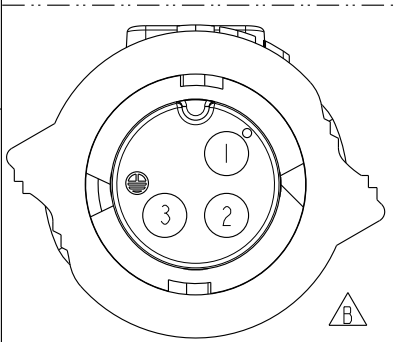
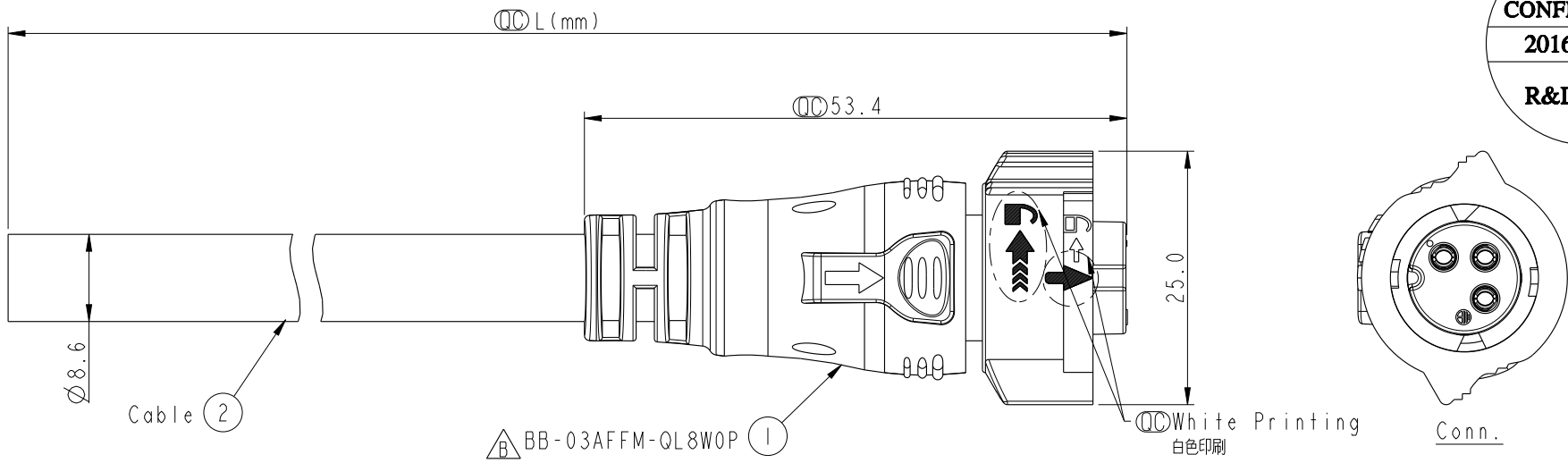
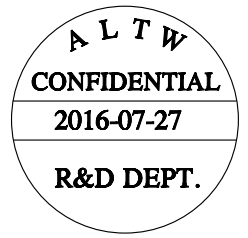


| | | | | |
|------|------------|------------|--------|----------------------------------|
| REV. | ECN NO. | DATE | SIGN | DESCRIPTION |
| B | LE31680193 | 2016-07-27 | Tom Gu | Change Part No. of Half Finished |



Pin Assignments
Front View



| | | |
|-------|------------|---|
| 3 | Green | 綠 |
| 2 | White | 白 |
| 1 | Black | 黑 |
| Conn. | Wire Color | |
| | Pin Out | |

BB-03AFFM-QL8E XX
 ↑
 XX : 01~99Meters
 01 : 01Meter
 02 : 02Meters
 :
 :
 99 : 99Meters

- Note:
- * \varnothing Important Dimension To Check.
 - * Waterproof Rate: IP68(Mated)
(In 1 meter water within 24 hours)
 - * Working Voltage Rating: AC 300 V
 - * Working Current Rating: 10A
 - * Housing: Nylon+GF, Black.
 - * Female Pin: Copper Alloy, Gold Plated.
 - * Rubber: Silicon, Gray
 - * Cable: SJTW 16AWG*3C + Filler
PVC Jacket UV Resistant, OD=8.6, Black.
 - * Cable Length Tolerance: 01M:±40mm
02M~05M:±60mm
06M~10M:±100mm
11M~30M:±200mm
31M~99M:±500mm

| | |
|-----------|------|
| UNIT:mm | |
| TOLERANCE | ±0.5 |

| | | | |
|---|----------------|---------------------------------|--|
| TITLE X-Lok B-Size (Power) Molding F Conn F 3 Pin | | | |
| SCALE 3:2 | SIZE A4 | SHEET 1 OF 1 | |
| REV. B | WC-REV. A.1 | \varnothing : Inspection item | |

Amphenol LTW
 安費諾亮泰企業股份有限公司

| | | |
|----------------------------|--------------------------|--------------------|
| ITEM NO | DRAWN BY Tom Gu | DATE 2016-07-27 |
| DWG NO BB-03AFFM-QL8EXX | CHECKED BY Spring Liu | DATE 2016-07-27 |
| CUSTOMER ALTW | APPROVED BY Kevin Hu | DATE 2016-07-27 |

THIS DOCUMENT IS SUBJECT TO CHANGE WITHOUT NOTICE. IT IS CONFIDENTIAL AND A PROPERTY OF AMPHENOL LTW. DISCLOSURE TO THIRD PARTY HAS TO BE AUTHORIZED BY AMPHENOL LTW.