

**NOTES:**

1- ONLY THE ITEMS WITH QUANTITIES SPECIFIED ON PARTS LIST ARE USED ON THIS APPLICATOR.

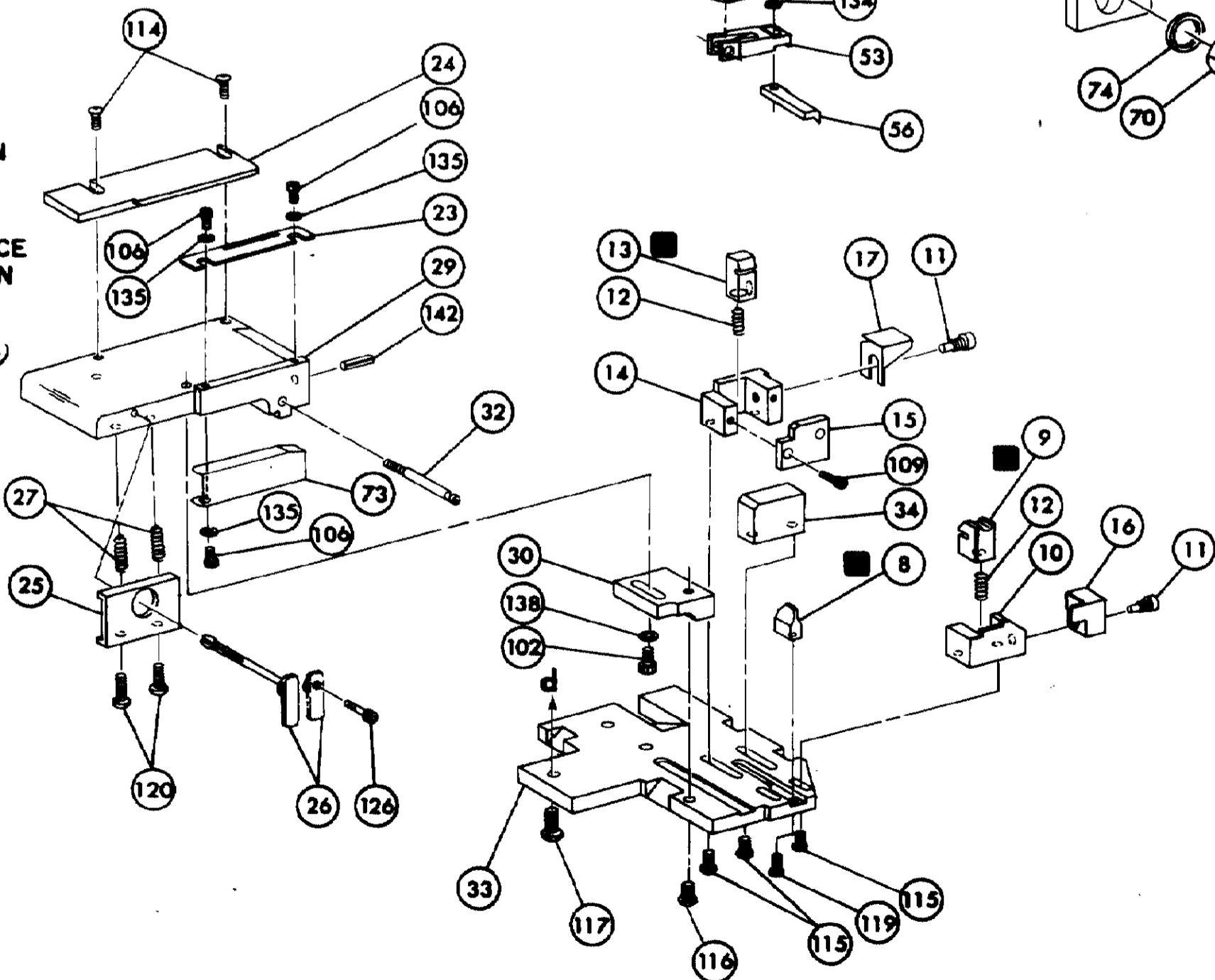
⚠️- USED IN PLACE OF ITEM 38 WHEN INSULATION CRIMP IS NOT USED.

⚠️- GUARD MUST BE IN PLACE WHEN OPERATING APPLICATOR IN AMP-O-LECTRIC PRESS. 4 ITEMS WITH QTY REF SPECIFIED (EXCEPT ITEM 79) ARE USED ON ITEM 46.

**KEY:**

■- RECOMMENDED SPARE PARTS CUSTOMER RESPONSIBLE FOR REPLACEMENT.

▲- LUBRICATE DAILY USING NO. 20 MACHINE OIL.



REF	QTY	PART NO	DESCRIPTION	ITEM NO
REF	1	21045-3	RING, RETAINING 'C' (.187 DIA) FEED FINGER PIN	145
REF	1	5-21028-1	PIN, SLOT SPR (.125 DIA X .50) ADJ ROD	143
REF	1	4-21028-0	PIN, SLOT SPR (.093 DIA X .75) STR G PLATE	142
REF	1	1-21030-1	PIN, DOWEL (.187 DIA X .50) LEVER	141
REF	1	1-21030-6	PIN, DOWEL (.187 DIA X 1.25) HOUSING	140
REF	1	21024-5	WASHER, LOCK (NO 10) LUB ASSY	139
REF	1	21024-5	WASHER, LOCK (NO 10) STRIP GUIDE ADJ BLOCK	138
REF	1	21024-5	WASHER, LOCK (NO 10) ADJ PLATE	137
REF	1	21024-5	WASHER, LOCK (NO 10) FEED GUIDE ROD	136
REF	3	21057-2	WASHER, LOCK (NO 4) FRONT STRIP GUIDE	135
REF	1	21024-4	WASHER, LOCK (NO 8) FEED FINGER	134
REF	1	21024-4	WASHER, LOCK (NO 8) DEPRESSOR	133
REF	1	21024-4	WASHER, LOCK (NO 8) STRIPPER	132
REF	1	21899-4	WASHER, FLAT (5/16 DIA) SCREW ADJ	131
REF	1	21899-2	WASHER, FLAT (NO 10) LUB ASSY	130
REF	1	21068-5	NUT, HEX MACH (6-32) HOLDDOWN	129
REF	1	21068-5	NUT, HEX MACH (6-32) FEED ADJ	128
REF	1	22353-8	SCR, SHLD (.187 DIA X .250 LG) DRAG LEVER	126
REF	1	456567-1	SCR, SHLD (.187 DIA X .250 LG) STRIPPER	125
REF	1	21009-2	SCR, SKT SET (1/4-20 X .25) (LOC-WEL) RAM	124
REF	1	3-21064-2	SCR, RD HD MACH (6-32 X 1.50) FEED ADJ	122
REF	2	2-21002-9	SCR, BUT HD SKT CAP (10-32 X .75) DRAG	120
REF	1	22733-8	SCR, BUT HD SKT CAP (8-32 X .38) (LOC-WEL) ANVIL	119
REF	1	2-21002-9	SCR, BUT HD SKT CAP (10-32 X .75) CAP	118
REF	1	1-24073-9	SCR, BUT HD SKT CAP (1/4-20 X .75) HOUSING	117
REF	2	2-21002-7	SCR, BUT HD SKT CAP (10-32 X .50) SG ADJ BLOCK	116
REF	2	2-21002-2	SCR, BUT HD SKT CAP (8-32 X .50) SHEAR	115
REF	2	2-21002-1	SCR, BUT HD SKT CAP (8-32 X .38) R STRIP GUIDE	114
REF	1	2-21003-0	SCR, FLAT HD SKT CAP (6-32 X .50) CAM	112
REF	1	3-21000-4	SCR, SKT HD CAP (10-32 X .38) LUBRICATOR ASSY	111
REF	1	23030-1	SCR, SKT HD CAP (6-32 X .25) (LOC-WEL) CP DISC	110
REF	1	2-21000-4	SCR, SKT HD CAP (6-32 X .25) REAR SHEAR PLATE	109
REF	1	2-21000-4	SCR, SKT HD CAP (6-32 X .25) DEPRESSOR	108
REF	1	2-22603-0	SCR, HEX HD MACH (8-32 X .31) FEED FINGER	107
REF	3	1-21000-3	SCR, SKT HD CAP (4-40 X .25) F STRIP GUIDE	106
REF	1	2-21000-7	SCR, SKT HD CAP (8-32 X .50) STRIPPER	105
REF	1	3-21000-7	SCR, SKT HD CAP (10-32 X .75) FEED ROD GUIDE	104
REF	1	3-21000-6	SCR, SKT HD CAP (10-32 X .62) FEED ADJ BLOCK	103
REF	1	3-21000-4	SCR, SKT HD CAP (10-32 X .38) SG ADJ BLOCK	102
REF	1	3-21000-4	SCR, SKT HD CAP (10-32 X .38) PIVOT BLOCK	101
REF	1	455749-1	GUARD (WINDOW)	79
REF	1	1-465184-0	LUBRICATOR ASSY	78
REF	1	458109-1	WASHER, SPECIAL	77
REF	1	454877-3	PLATE, STRIP GUIDE COVER	76
REF	1	690603-1	SPRING, ASSIST	75
REF	1	690517-1	SPACER	74
REF	1	22594-8	NUT, HEX	73
REF	1	240628-1	PLATE, ADJUSTMENT	72
REF	1	240626-1	SHAFT, PIVOT	71
REF	1	240633-1	BUSHING	70
REF	1	455680-1	LEVER, INTERMEDIATE	69
REF	1	240629-1	BLOCK, PIVOT	68
REF	1	240632-2	SCREW, ADJUSTMENT FEED ROD	67
REF	1	240659-3	PIN, CAM ROLLER	66
REF	1	240658-1	ROLLER, CAM	65
REF	1	454398-2	ROD, FEED	64
REF	1	454178-1	GUIDE, FEED ROD	60
REF	1	454220-1	CAP, HOUSING	59
REF	1	454485-1	HOUSING	58
REF	1	690542-1	PAWL, FEED	57
REF	1	240624-1	PIN, FEED FINGER	55
REF	1	691499-1	SPRING, FEED FINGER	54
REF	1	690541-1	FINGER, FEED	53
REF	1	455679-1	LEVER, TERMINAL FEED ARM	52
REF	1	690622-5	BUMPER, HOLDDOWN	51
REF	1	7-21002-9	SPACER, TONKER	50
REF	1	690603-5	BOLT, CRIMPER	49
REF	1	459456-1	CAM PRE FEED 1/8 STROKE	48
REF	1	690191-1	APPLICATOR, BASIC (SUB ASSY)	46
REF	1	455673-1	PLUG, NYLON	45
REF	1	690125-1	RAM	44
REF	1	690124-1	WASHER, LAMINATED	43
REF	1	690124-1	WASHER, RAM	42
REF	1	690223-1	DISC, SPACER	41
REF	1	23241-6	BALL, STEEL	40
REF	1	690170-1	SPRING, COMPRESSION	39
REF	1	5-690692-9	DISC, INSULATION	38
REF	1	22480-5	DISC, WIRE	37
REF	1	690212-1	WASHER, SPRING	36
REF	1	690212-1	POST, RAM	35
REF	1	455675-1	SUPPORT, TERMINAL	34
REF	1	690432-3	PLATE, BASE	33
REF	1	690432-3	SCREW, ADJUSTMENT	32
REF	1	455689-1	BLOCK, STRIP GUIDE ADJ	31
REF	1	455671-1	PLATE, STRIP GUIDE	30
REF	1	1-455688-0	SPACER, FRONT SHEAR DEPRESSOR	29
REF	2	1-22284-0	SPRING, DRAG	28
REF	1	690546-1	LEVER, DRAG RELEASE	27
REF	1	240792-1	DRAG, STOCK	26
REF	1	4-690480-7	GUIDE STRIP (REAR)	25
REF	1	690438-1	GUIDE, STRIP (FRONT)	24
REF	1	4-22284-9	SPRING, FEED RETURN	23
REF	1	458950-1	STRIPPER	22
REF	1	458949-1	STRIPPER	21
REF	1	458949-1	STRIPPER	20
REF	1	458949-1	STRIPPER	19
REF	1	458949-1	STRIPPER	18
REF	1	458949-1	STRIPPER	17
REF	1	458949-1	STRIPPER	16
REF	1	458949-1	STRIPPER	15
REF	1	458949-1	STRIPPER	14
REF	1	458949-1	STRIPPER	13
REF	1	458949-1	STRIPPER	12
REF	1	458949-1	STRIPPER	11
REF	1	458949-1	STRIPPER	10
REF	1	458949-1	STRIPPER	9
REF	1	458949-1	STRIPPER	8
REF	1	458949-1	STRIPPER	7
REF	1	458949-1	STRIPPER	6
REF	1	458949-1	STRIPPER	5
REF	1	458949-1	STRIPPER	4
REF	1	458949-1	STRIPPER	3
REF	1	458949-1	STRIPPER	2
REF	1	458949-1	STRIPPER	1

CRIMPING DATA				APPLICATOR WILL APPLY	
PAD LTR	CRIMP HEIGHT	WIRE SIZE	WIRE STRIP LENGTH	62352	
A	.040	20			
B	.036	22			
C	.033	24			
D	NOT USED				
CRIMP	SIZE	TYPE	FEED	APPL INST	
WIRE	255	F	.250	A18040	
INSUL					
WIRE RANGE 20-24 INSULATION RANGE PRESS NO 645435-5					
REMARKS AMP-O-LECTRIC PRE FEED					
SET UP GAGE 10-1 458937-1 329					
DR APP					
CHKD BY RELD BY LOC A D NO 466408-2					
NAME MINIATURE QUICK CHANGE APPLICATOR					
SIDE FEED ( TAB REFLECTABLE )					

REMARKS	NO	REV
TO APPLY TERMINAL		
APPL USED ON MACHINE PART NO	MACH SERIAL NO	DISTRIBUTION
CUSTOMER NAME	APPL SERIAL NO	ORIGINAL
ADDRESS	PURCHASE ORDER	CUSTOMER COPY
CITY	ENG APP	FIELD ENG COPY

P/F	LTR	REVISION RECORD	APP DATE	P/F	LTR	REVISION RECORD	APP DATE

THIS INFORMATION IS CONFIDENTIAL AND IS TO BE KEPT AS SUCH. NO PARTS OR INFORMATION ARE TO BE RELEASED TO OTHER THAN AMP INCORPORATED, HARRISBURG, PA, WITHOUT WRITTEN AUTHORIZATION FROM AMP INCORPORATED.