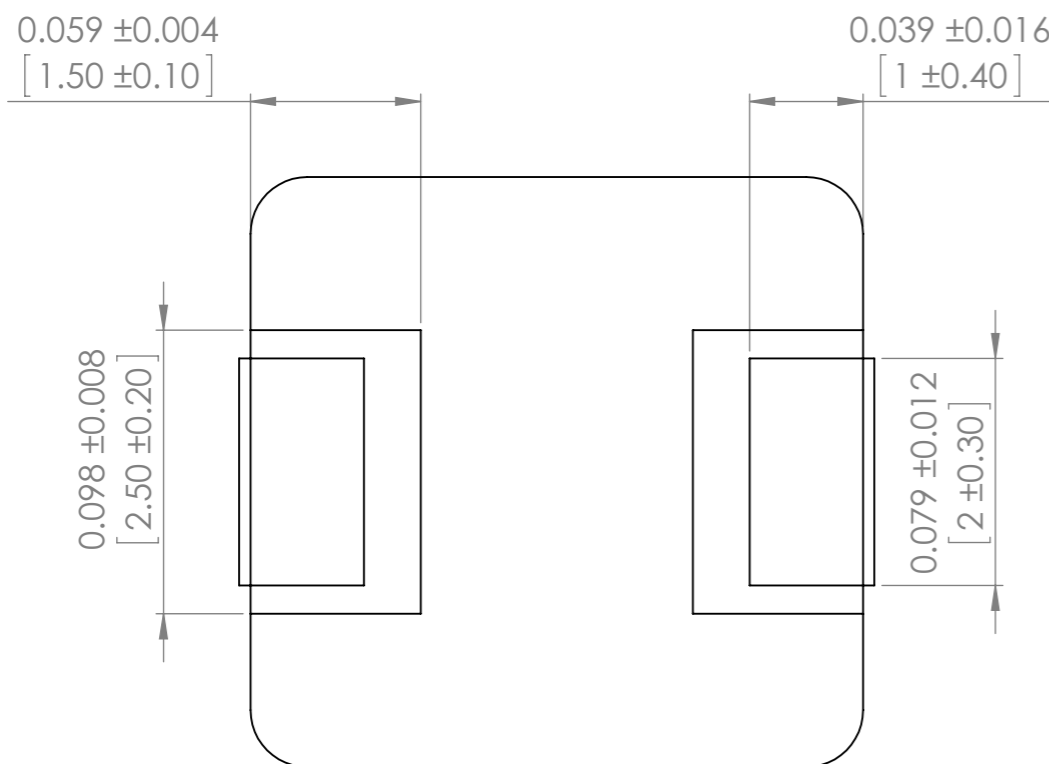
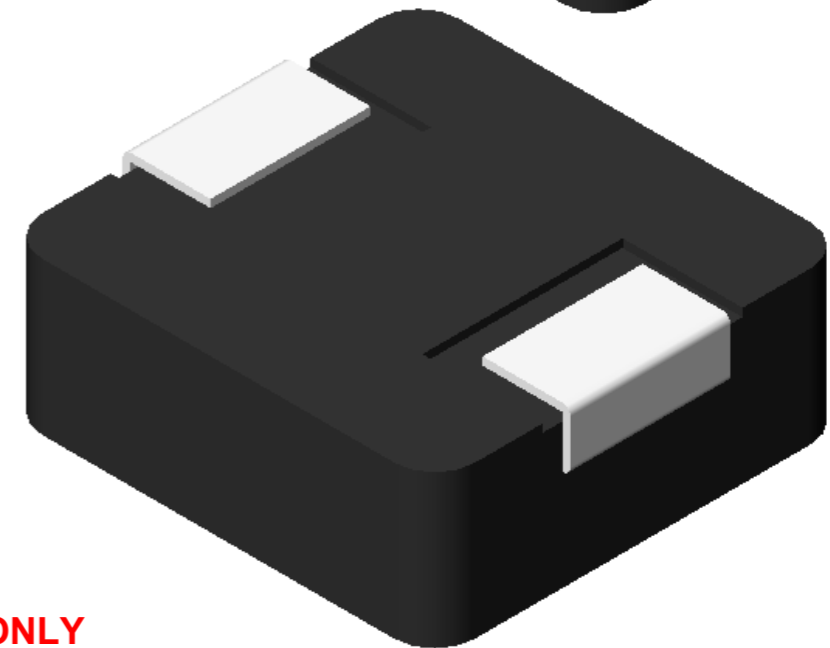
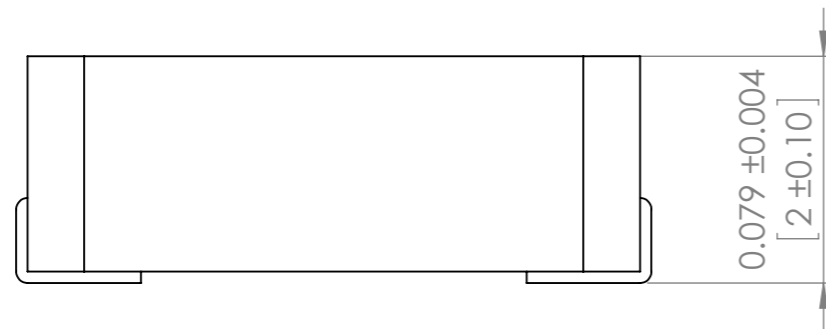
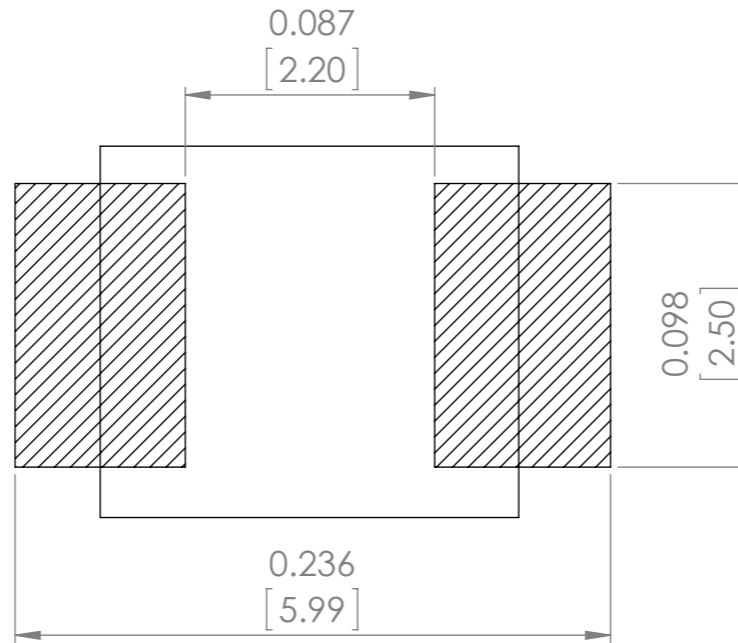



**Recommended Land Pattern**



**TOP PACKAGE MARKING IS FOR ILLUSTRATION PURPOSES ONLY**

UNLESS OTHERWISE SPECIFIED: DIMENSIONS ARE IN INCH(MM) SURFACE FINISH: TOLERANCES: LINEAR: ANGULAR:				FINISH:		DEBUR AND BREAK SHARP EDGES		DO NOT SCALE DRAWING		REVISION -	
DRAWN SAAZVAT				SIGNATURE		DATE		 30332 Esperanza, Rancho Santa margarita, California 92688			
CHK'D XXXXXX								TITLE: Molded			
APPV'D								DWG NO. ASPI-0520LR		A3	
MFG								SCALE:15:1		SHEET 1 OF 1	
Q.A						MATERIAL:					
						WEIGHT:					