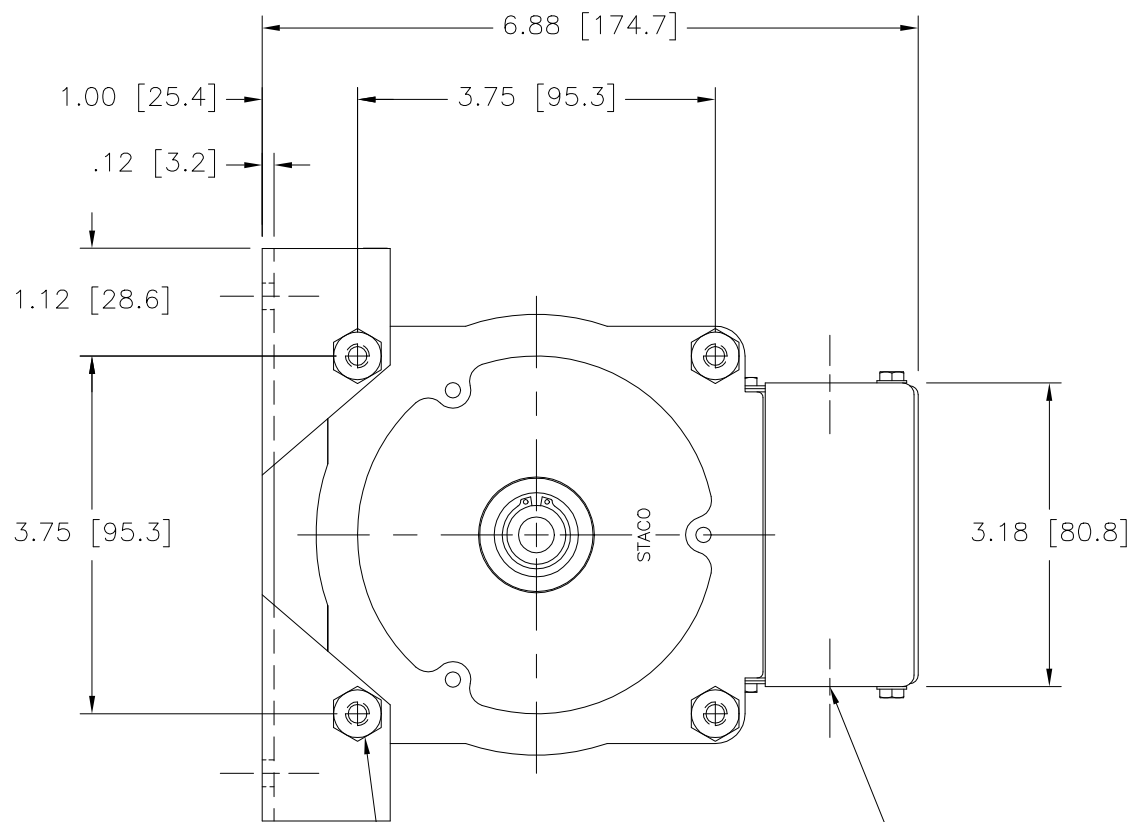
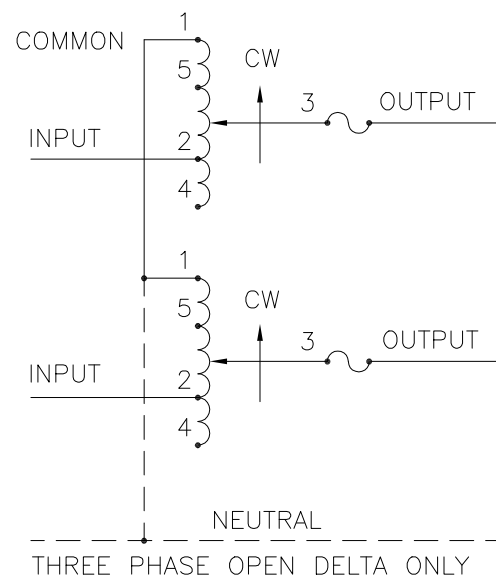
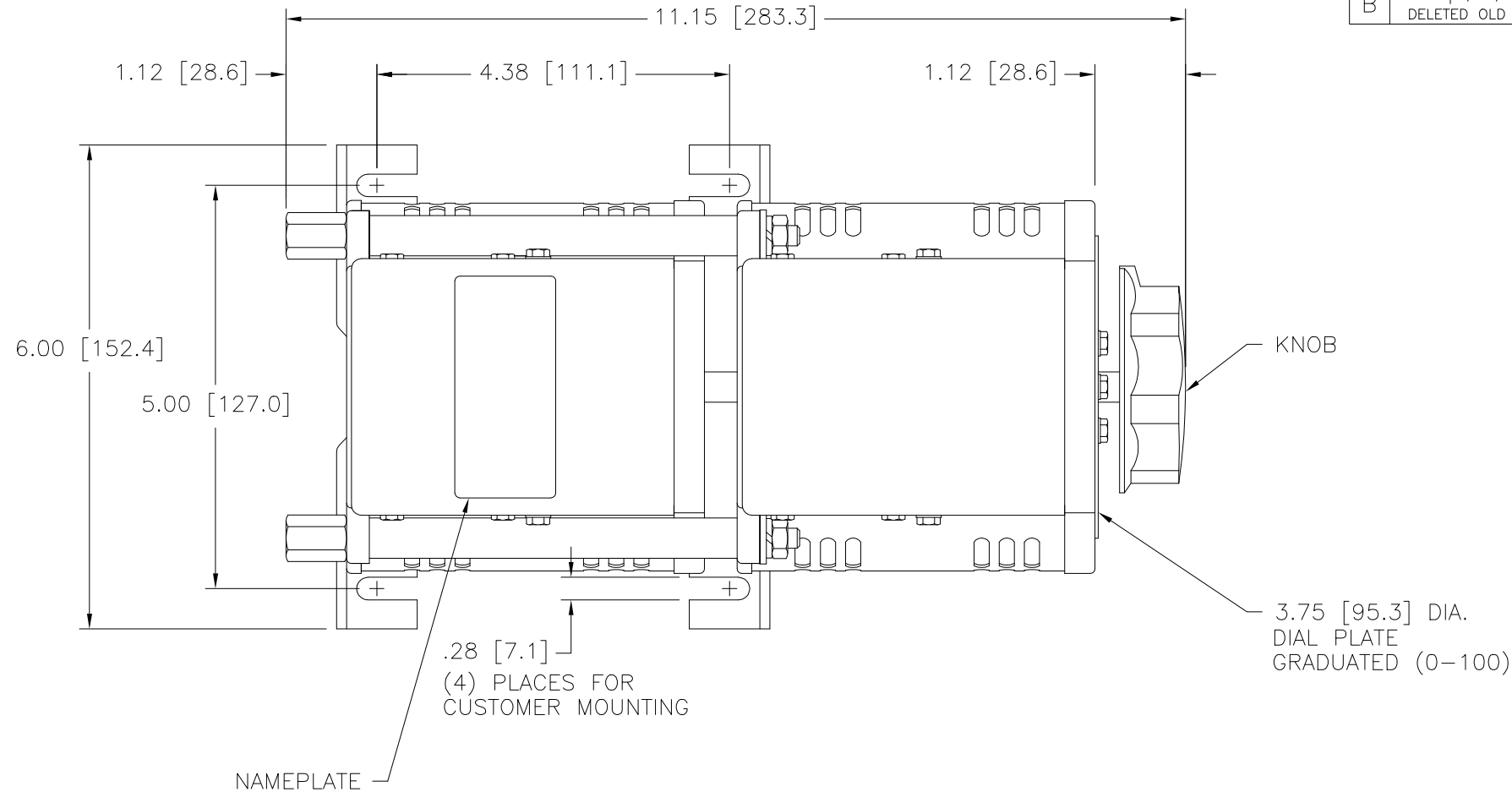


DWG. NO.	031-1664		
REVISIONS			
SYM.	E.C.N.	DATE	APVD.
A	24194	3/14/00	DELETED BLIND HOLES
B	25121	5/12/03	DELETED OLD LOGO



(4) STANDOFFS TAPPED
1/4-28 X .38 [9.5] DEEP
FOR MOUNTING BOLTS

.88 [22.2] DIA. KNOCKOUT
(5) PLACES FOR
WIRING CONNECTIONS



SCHEMATIC
THREE PHASE OPEN DELTA AND SINGLE
PHASE SERIES. FUSE RECOMMENDED BUT
NOT SUPPLIED.

⌘ IF GANGED UNITS ARE USED IN A SYSTEM THAT ORDINARILY HAS A COMMON NEUTRAL OR GROUND BETWEEN SOURCE AND LOAD, THE NEUTRAL OR GROUND MUST BE CONNECTED TO THE COMMON TERMINALS OF THE VARIABLE TRANSFORMER ASSEMBLY. IF THE SYSTEM HAS NO NEUTRAL, THE LOAD MUST BE BALANCED OR THE TRANSFORMER WILL BE DAMAGED.

■ JUMPER PROVIDED IN STANDARD COMMON POSITION AND SHOULD BE MOVED OR REMOVED AS REQUIRED.

++ LINE TO LINE VOLTAGE.

SPECIFICATIONS											
WIRING	INPUT		OUTPUT				SHAFT ROTATION TO INCREASE VOLTAGE	TERMINAL CONNECTIONS			
	VOLTS	HERTZ	VOLTS	CONSTANT CURRENT LOAD		CONSTANT IMPEDANCE LOAD		FOR INCREASING VOLTAGE AS VIEWED FROM BASE END ■			
				MAX. AMPS	MAX. KVA	MAX. AMPS		MAX. KVA	INPUT	JUMPER	OUTPUT
SINGLE PHASE SERIES	240	50/60	0-240	10	2.4	13	3.12	CW	1-1	4-4	3-3
			0-280	10	2.8	—	—	CCW	4-4	1-1	3-3
	120	50/60	0-120	10	2.08	13	2.70	CW	5-5	4-4	3-3
			0-140	10	2.42	—	—	CCW	2-2	1-1	3-3
THREE PHASE OPEN DELTA ⌘	120	50/60	0-120	10	2.08	13	2.70	CW	1-4-1	4-4	3-4-3
			0-140	10	2.42	—	—	CCW	4-1-4	1-1	3-1-3
	++	50/60	0-120	10	2.08	13	2.70	CW	5-4-5	4-4	3-4-3
			0-140	10	2.42	—	—	CCW	2-1-2	1-1	3-1-3

UNLESS OTHERWISE SPECIFIED, TOLERANCE IS ± DECIMALS .005 HOLES .002 ANGLES 1° DRAFT 1-1/2° UNITS IN [mm]

MATERIAL: ALL DIMENSIONS APPLY AFTER PLATING

TITLE: SPEC. CONTROL DRAWING VARIABLE TRANSFORMER MODEL: 1010BCT-2

DRAWN BY: S.A. SMITH DATE: 9/18/97 FIRST USED ON: DO NOT SCALE DWG. CAGE CODE: 83008

CHECKER: DATE: WEIGHT APPROX. 22.5 LBS SCALE: 1=1 SHEET 1 OF 1

ENGINEER: DATE: DWG. NO. 031-1664

STACO ENERGY PRODUCTS CO.
A Components Corporation of Ameresco Company
302 South Boulevard Dayton, Ohio 45403 USA