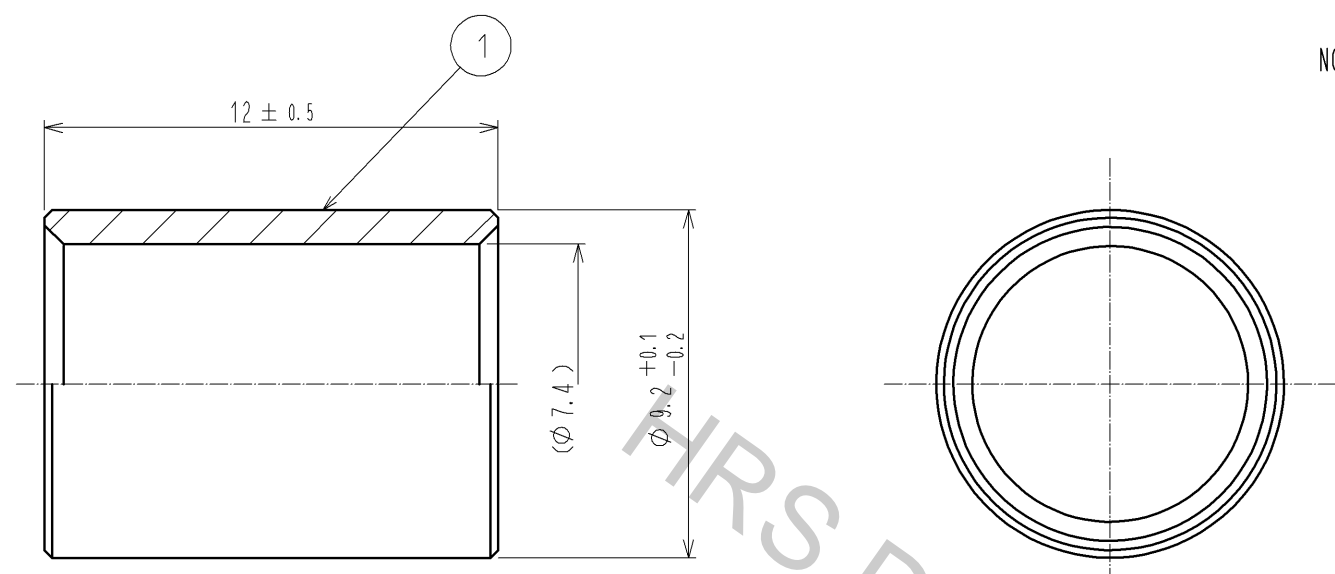
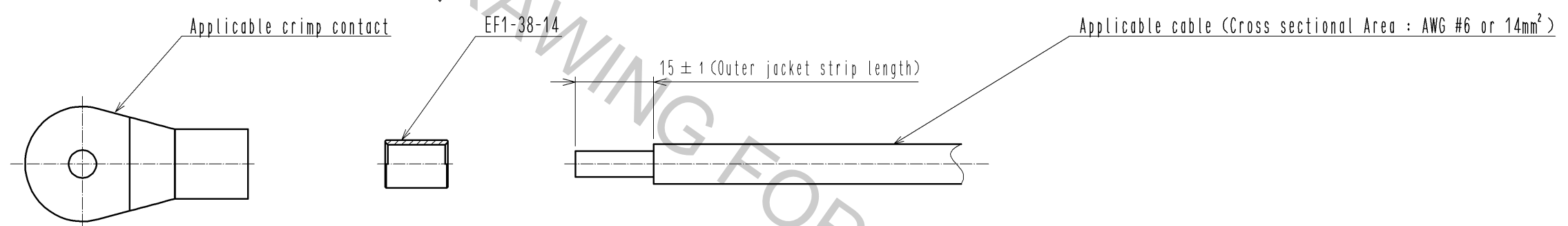


May.1.2017 Copyright 2017 HIROSE ELECTRIC CO., LTD. All Rights Reserved.

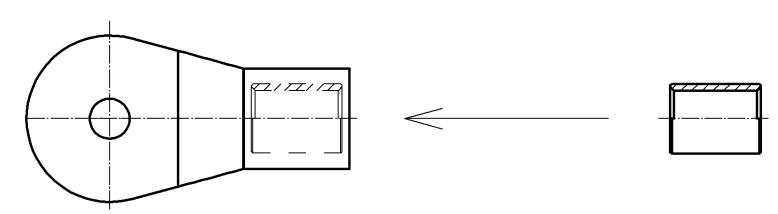


- NOTES
- 1 This sleeve is used for crimping 14 mm<sup>2</sup> size cable to 38 mm<sup>2</sup> size crimp contacts.
  - 2 Applicable crimp contact for this product is packaged contact of EF1-38R+-1SC\* or EF1-38P+-1PC\*.
  - 3 Recommended crimping tool:  
REC 150F(JIS C 9711) manufactured by IZUMI product company.
  - 4 One bag includes 100pcs of products.

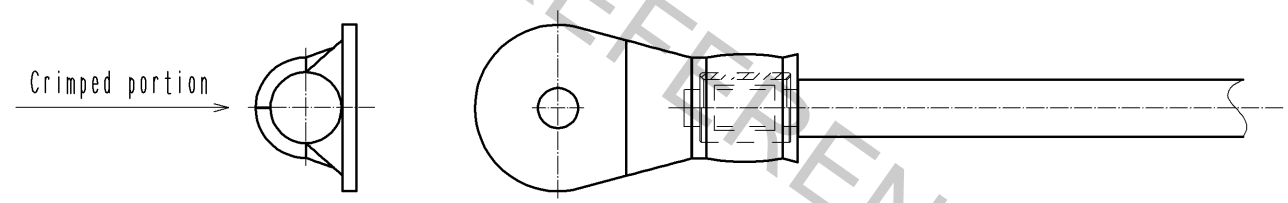
☐ Instructions for the cable assembly (1:1)



(1) Insert EF1-38-14 into the applicable crimp contact.

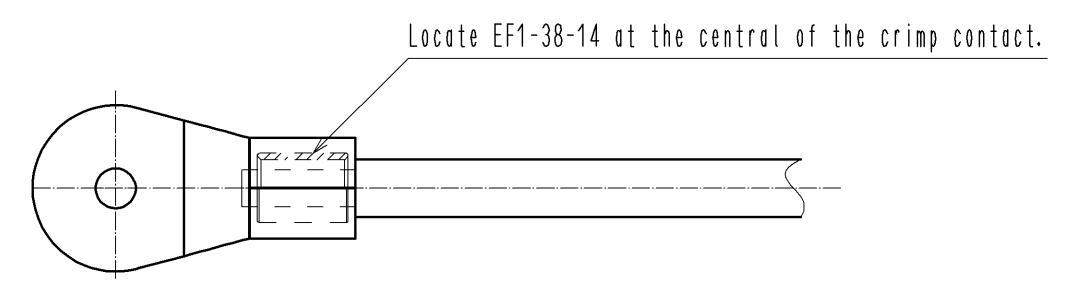


(3) Crimp the contact with the recommended crimping tool at size 38 position.



Avoid the deformation especially to the shape described with two-dot chain line.

(2) Insert the applicable cable into the applicable crimp contact.



1	Copper alloy	Tin plating						
NO.	MATERIAL	FINISH . REMARKS	NO.	MATERIAL	FINISH . REMARKS			
UNITS mm			SCALE 5 : 1	COUNT 2	DESCRIPTION OF REVISIONS DIS-C-003077	DESIGNED HS. KAWASHIMA	CHECKED SU. OBARA	DATE 13. 06. 03
<b>HRS</b> HIROSE ELECTRIC CO., LTD.		APPROVED : SU. OBARA	13. 02. 22	DRAWING NO. EDC3-118155-00				
		CHECKED : YH. YAMADA	13. 02. 22	PART NO. EF1-38-14				
		DESIGNED : HS. KAWASHIMA	13. 02. 22	CODE NO. CL142-0008-2-00				
		DRAWN : KN. IKEHARA	13. 02. 22					