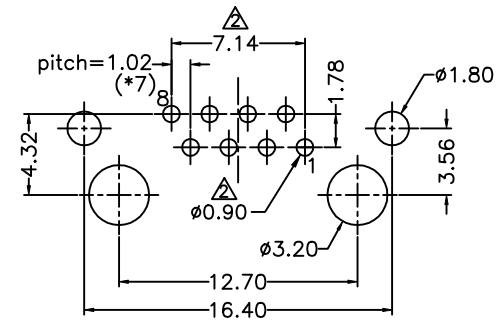
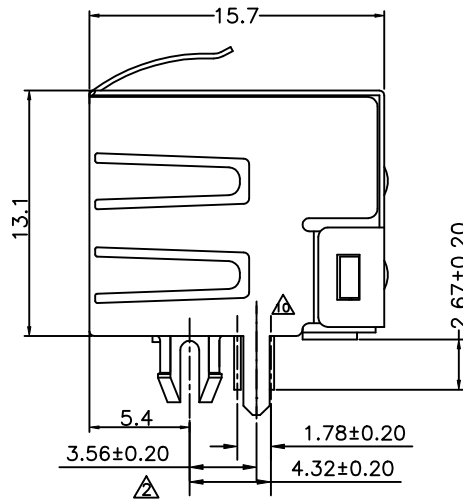
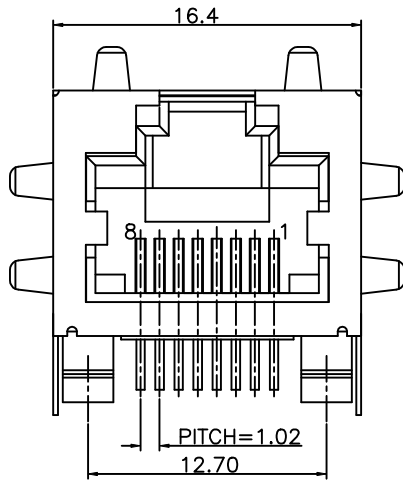


# A1RFRD10

REVISION RECORD				
REV	ECO	DESCRIPTION	DRFT	CHKD
△		MODIFY PCB LAYOUT	Christ 06/19/01	
△		MODIFY DIMENSION	Christ 3/12/02	
△		ADD TYPE	JFJ 07/19/02	
△		ADD TYPE	Irondr 07/23/02	
△		ADD P/N	JFJ 10/16/03	
△		ADD P/N	JFJ 06/01/04	
△		ADD P/N	JFJ 06/10/04	
△		ADD P/N	SUNLL 09/27/04	
△		MODIFY P/N	JFJ 12/07/04	
△		MODIFY P/N	PETERS 12/15/04	
△		MODIFY P/N	PETERS 1/3/05	
△		ERASE P/N	JFJ 05/16/05	



△ PCB (t=1.60mm) Layout  
Component Side Shown

**NOTES:**

**ELECTRICAL:**

- VOLTAGE RATING : 125 VAC RMS.
- CURRENT RATING : 1.5 AMP.
- CONTACT RESISTANCE : 30 MILLIOHMS MAX.
- INSULATION RESISTANCE: 1000 MEGOHMS MIN @ 500 VDC.
- DIELECTRIC STRENGTH : 1000 VAC RMS 60Hz, 1MIN.
- OPERATING: 750 CYCLES MIN.

**MECHANICAL:**

- HOUSING MATERIAL : PBT+30%.GF UL94V-0. OR FR52 COLOR-BLACK. △
- INSERT MATERIAL : PBT+30%GF UL94V-0. OR FR52 COLOR-BLACK. △
- BACK PLATE MATERIAL : PBT+30%GF. OR FR52 COLOR-BLACK. △
- SHIELD MATERIAL : COPPER ALLOY 0.25mm THICKNESS PLATING NI.
- CONTACT MATERIAL : PHOSPHOR BRONZE 0.35mm THICKNESS OR  $\phi$ 0.46mm.LEAD FREE.
- PLATING : GOLD PLATING OVER NICKEL.
- PCB RETENTION PRE-SOLDER : 1 LB MIN.
- PCB RETENTION POST-SOLDER: 10 LBS MIN.

**ENVIRONMENTAL:**

- STORAGE : -40°C TO +85°C.
  - OPERATION: 0°C TO 70°C.
- MATES WITH MODULAR PLUG CONFORMING TO  
FCC PART 68, SUBPART F.  
CUL FILE NO. E163191

W/ TIN PART NUMBER: E 5J 8 8 - X X L X X X

△△△

0-NO.LED  
△6-HS'G&SHIELD NO LED

PLATING: 1-3u" 2-6u" 3-15u"  
4-30u" 5-50u"

A-TIN SHIELD STAMPED PIN  
B-NI SHIELD STAMPED PIN  
△F-NI SHIELD ROUND PIN ( $\phi$ 0.46)

0-W/O SHIELD 1-NO TAB  
2-TOP TABS. 3-SIDE TABS.  
4-TOP TABS & SIDE TABS.

0- PBT+30%(A06-1490)  
J- FR52(A05-0130) △  
5-W/O LOGO W/O TINNED SHIELD LEDS △

		DFTO JERRY	DATE 2/15/2001'	<b>FULL RISE ELECTRONIC CO., LTD</b>	
TOLERANCES EXCEPT AS NOTED MM ± .02 .00 ± 0.15 .000 ± 0.075		CHKD JAKE	DATE 2005/5/16		
ANGLES ±		MFO	DATE	TITLE <b>RJ45 W/O LED JACK</b>	
DETACHED LISTS		APPV LUSHENG	DATE 2005/5/16		
THIRD ANGLE PROJECTION		MATERIAL :	QTY :	DRAWING NO. GE5J3A11 /PART NO. SEE NOTE	
		FINISH :	SCALE :		
			DO NOT SCALE DRAWING		SHEET 1 OF 1