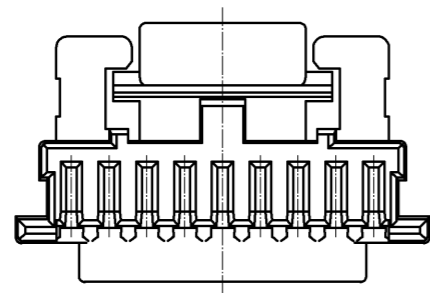
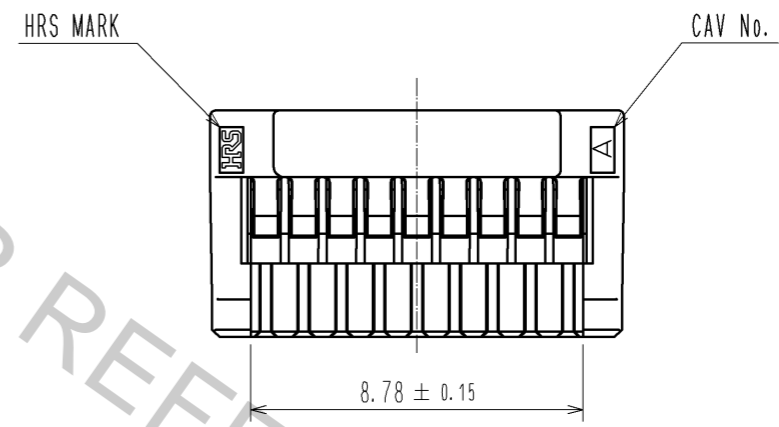
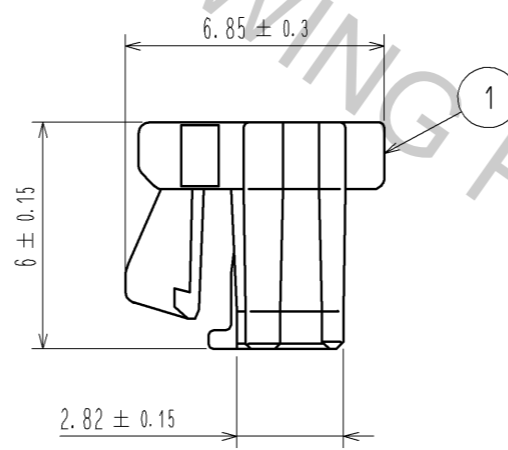
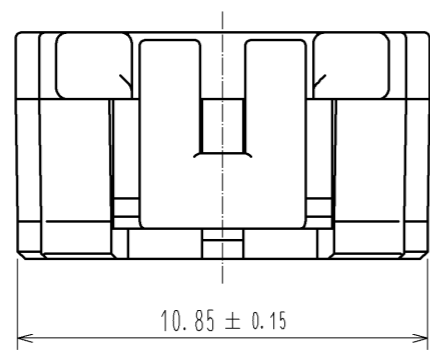
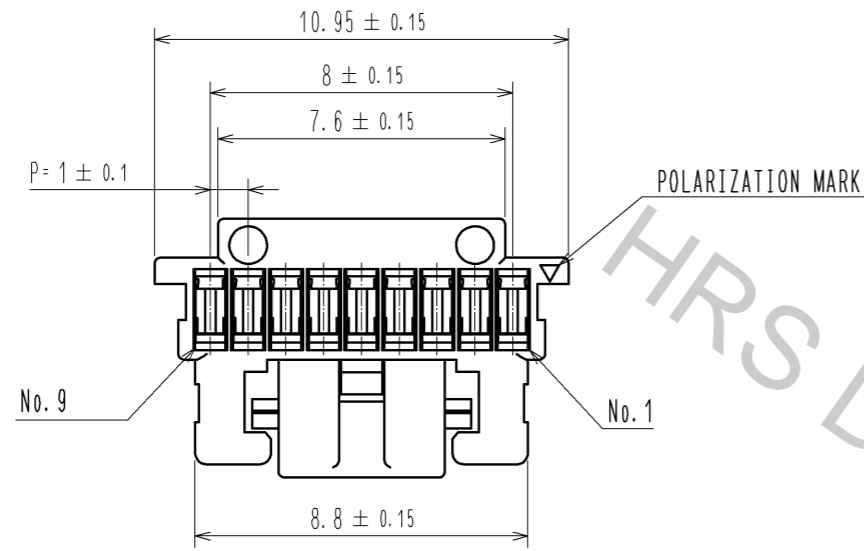


Apr.1.2017 Copyright 2017 HIROSE ELECTRIC CO., LTD. All Rights Reserved.



NOTE1. 100 PIECES PER PACK

NO.	MATERIAL	FINISH . REMARKS	NO.	MATERIAL	FINISH . REMARKS
			1	PBT	UL94-V0, BLACK
UNITS mm		SCALE 5 : 1	COUNT 	DESCRIPTION OF REVISIONS	DESIGNED
HRS HIROSE ELECTRIC CO., LTD.	APPROVED : KI. AKIYAMA	12.01.10	DRAWING NO.	EDC3-329669-00	
	CHECED : OM. MIYAMOTO	12.01.10	PART NO.	DF50A-9S-1C	
	DESIGNED : ST. SATO	12.01.07	CODE NO.	CL665-1100-5-00	
	DRAWN : ST. SATO	12.01.07			