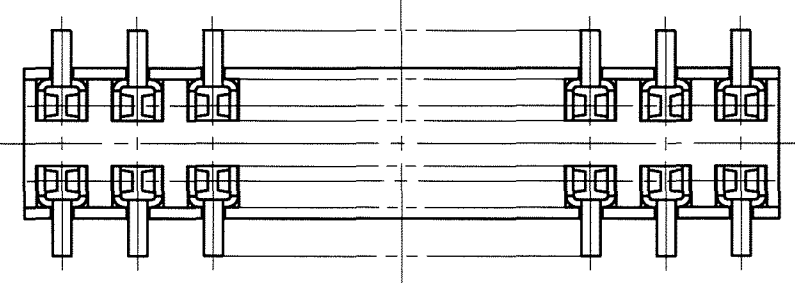
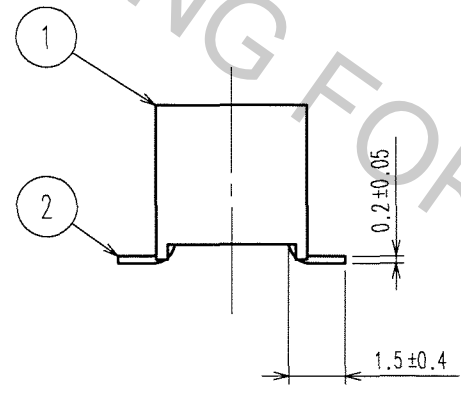
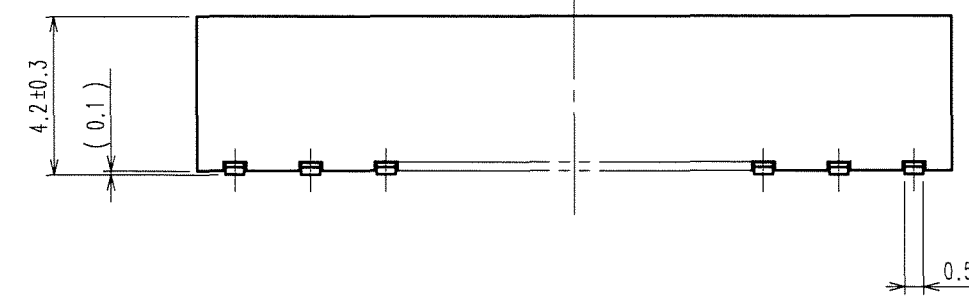
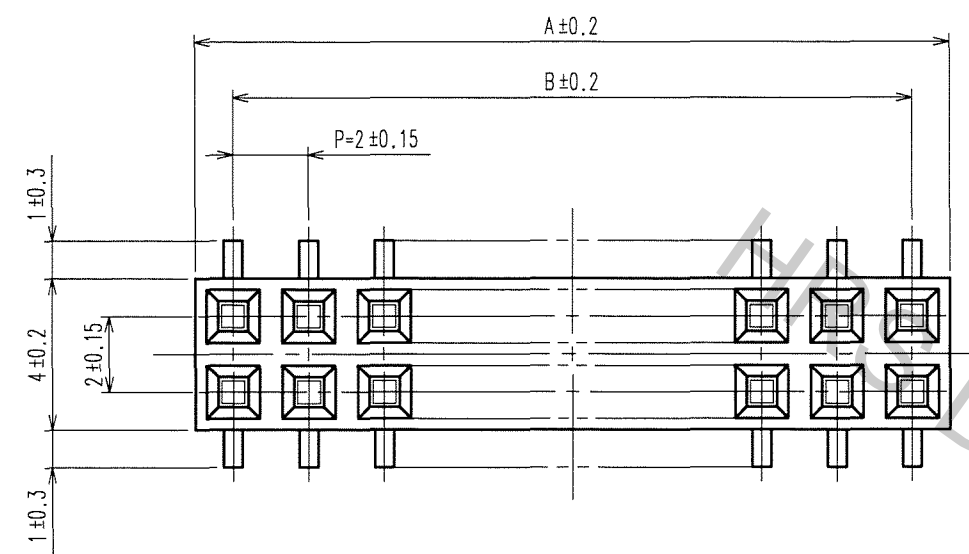
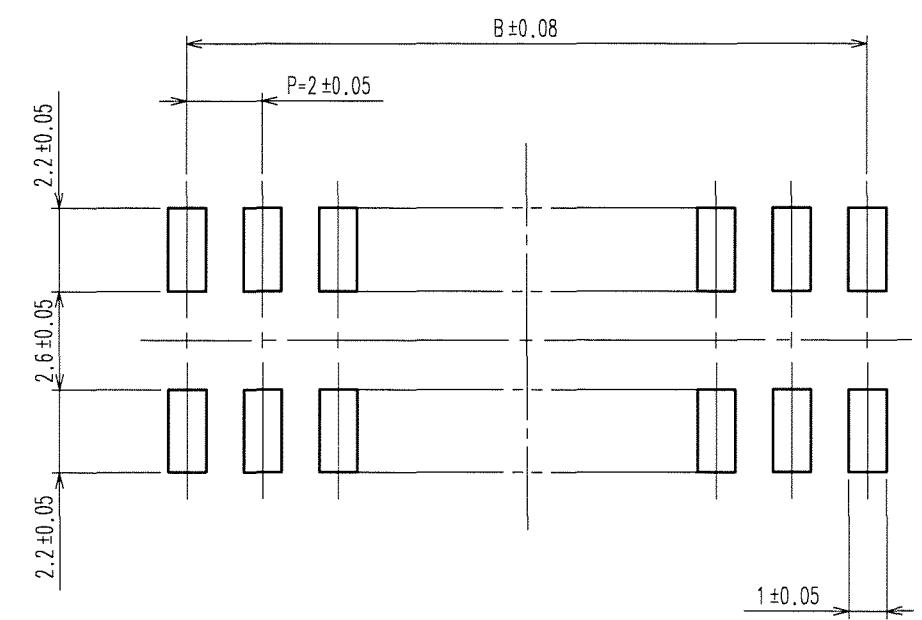


Apr.1.2017 Copyright 2017 HIROSE ELECTRIC CO., LTD. All Rights Reserved.

| COUNT | DESCRIPTION OF REVISIONS | BY | CHKD | DATE | COUNT | DESCRIPTION OF REVISIONS | BY | CHKD | DATE |
|-------|--------------------------|----|------|------|-------|--------------------------|----|------|------|
| △     |                          |    |      | ..   | △     |                          |    |      | ..   |
| △     |                          |    |      | ..   | △     |                          |    |      | ..   |
| △     |                          |    |      | ..   | △     |                          |    |      | ..   |

RECOMMENDED LAND PATTERN DIMENSION OF PCB (MOUNTING SIDE)



| PART No.        | CODE No.        | 3  | A  | B  |
|-----------------|-----------------|----|----|----|
| A3-4DA-2SV(71)  | CL621-1100-0-71 | 4  | 4  | 2  |
| A3-6DA-2SV(71)  | CL621-1101-3-71 | 6  | 6  | 4  |
| A3-8DA-2SV(71)  | CL621-1102-6-71 | 8  | 8  | 6  |
| A3-10DA-2SV(71) | CL621-1103-9-71 | 10 | 10 | 8  |
| A3-12DA-2SV(71) | CL621-1104-1-71 | 12 | 12 | 10 |
| A3-14DA-2SV(71) | CL621-1105-4-71 | 14 | 14 | 12 |
| A3-16DA-2SV(71) | CL621-1106-7-71 | 16 | 16 | 14 |
| A3-20DA-2SV(71) | CL621-1108-2-71 | 20 | 20 | 18 |
| A3-24DA-2SV(71) | CL621-1110-4-71 | 24 | 24 | 22 |
| A3-28DA-2SV(71) | CL621-1112-0-71 | 28 | 28 | 26 |
| A3-32DA-2SV(71) | CL621-1114-5-71 | 32 | 32 | 30 |

NOTE 1 LEAD CO-PLANARITY SHALL BE 0.15 MAX.  
 2 THE DIMENSIONS IN PARENTHESES ARE FOR REFERENCE.  
 3 NUMBER OF CONTACT.

TO  
PCK

|                |          |                          |             |                 |  |
|----------------|----------|--------------------------|-------------|-----------------|--|
| 1              | PPS      | LIGHT BROWN / UL94 V-0   | 2           | PHOSPHOR BRONZE | CONTACT AREA:GOLD 0.2μ m min.<br>LEAD AREA:TIN-PLATING 1μ m min.<br>UNDER PLATING:NICKEL 1μ m min. |
| NO.            | MATERIAL | FINISH, REMARKS          | NO.         | MATERIAL        | FINISH, REMARKS  |
| CODE NO. (OLD) |          | DRAWN                    | DESIGNED    | CHECKED         | APPROVED   |
|                |          | A.SUZUKAWA               | H. Nakamura | M. Ogawa        | H. Okawa   |
|                |          | '06.05.09                | '06.05.10   | '06.05.10       | '06.05.10  |
| DRAWING NO.    |          | PART NO.                 |             |                 |  |
| EDC3-082603-21 |          | A3-*DA-2SV(71)           |             |                 |  |
| SCALE          |          | CODE NO.                 |             |                 |  |
| FREE           |          | CL621                    |             |                 |  |
| UNITS          |          | HIROSE ELECTRIC CO., LTD |             |                 |  |
| mm             |          |                          |             |                 |  |