

CODE	DIM "M" MATING LENGTH	CONTACT TYPE
H	[5.59]	SIGNAL
G	[5.59]	SIGNAL
F	[5.59]	SIGNAL
E	[5.59]	SIGNAL
PA	[N/A]	POWER
X	OMITTED	OMITTED

spec ref	*	dr	Luo Weller	2012/10/28	projection	MM	size	A4	scale	1:1
tolerance std	TOLERANCES UNLESS OTHERWISE SPECIFIED	eng	Luo Weller	2012/11/14		←→	ecn no	-	rel level	Released
SEE NOTE		chr	-	-						
surface	linear	appr	Pei-Ming Zheng	2012/11/14	product family	PwrBlade				
	angular			title 8S+2ACP+1P+7DCP RIGHT ANGLE SOLDER HEADER	dwg no 51939-713	rev A				
	0.X ±0.5	www.fci.com		cat. no.	-	Product - Customer Drw	sheet 1 of 4			
	0.XX ±0.25									
	0.XXX ±0.1									
	0° ±2°									

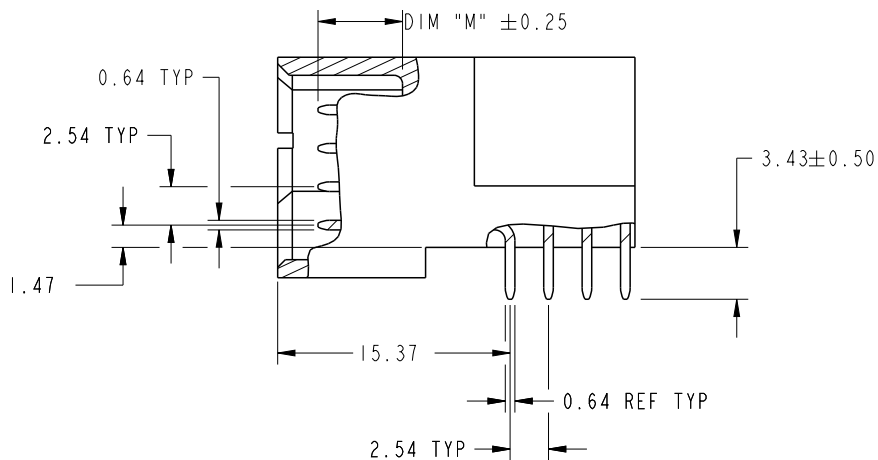


Copyright FCI.

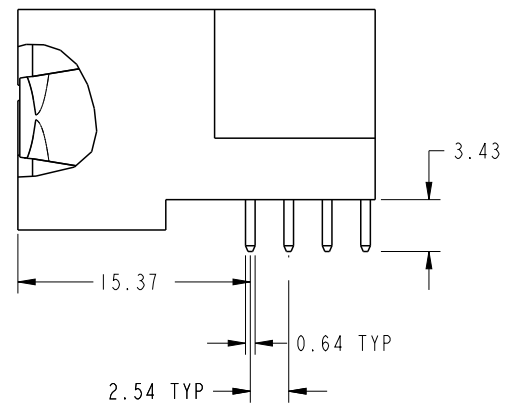
PrdE File - REV C - 2009-06-09

PRODUCT NUMBER

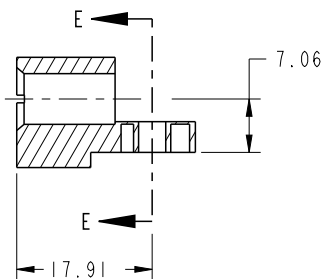
51939-713--
NOTE: 3



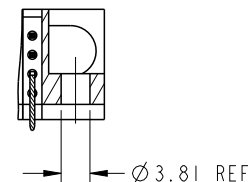
BROKEN-OUT SECTION A-A
SCALE 2:1



BROKEN-OUT SECTION B-B
SCALE 2:1



SECTION C-C

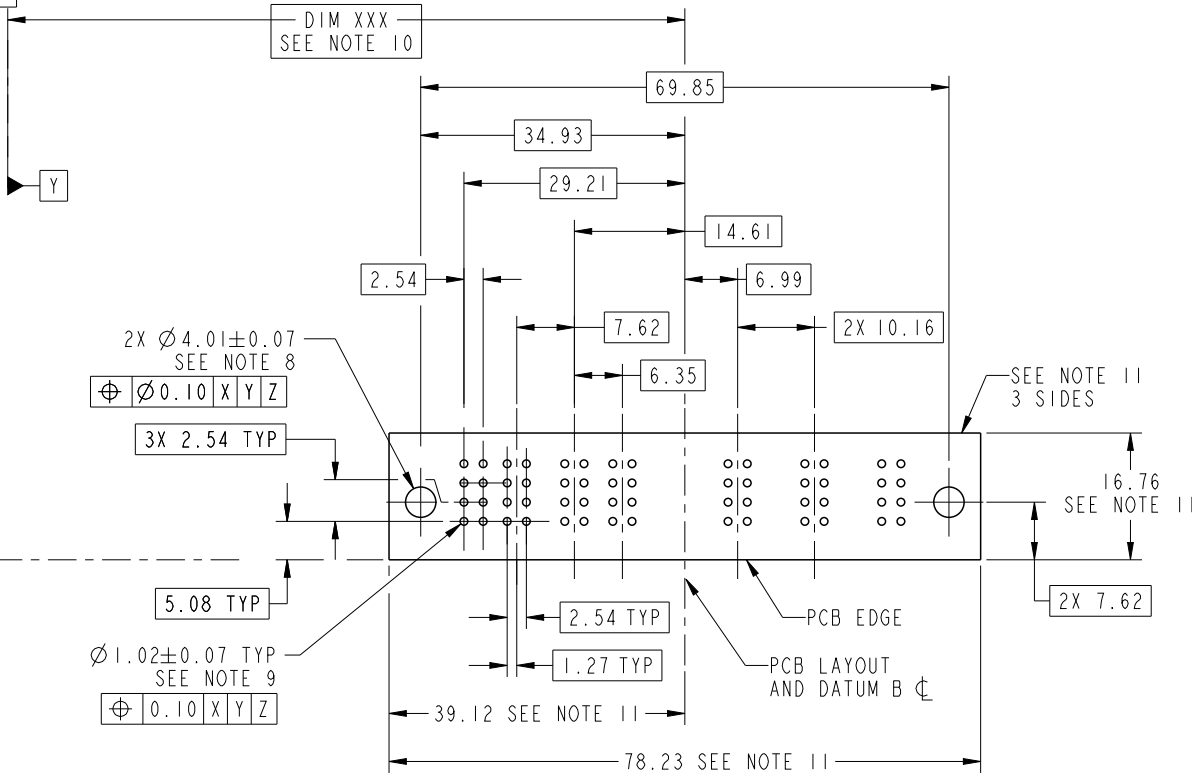


PARTIAL SECTION E-E

dr	Luo Weller	2012/10/28	projection 	MM 	size	A4	scale	1:1
eng	Luo Weller	2012/11/14			ecn no	-		
chr	-	-			rel level	Released		
appr	Pei-Ming Zheng	2012/11/14	product family	PwrBlade	rev	A		
	title	8S+2ACP+1P+7DCP RIGHT ANGLE SOLDER HEADER		dwg no	51939-713			
www.fci.com	cat. no.	-	Product - Customer Drw	sheet 2 of 4				

PRODUCT NUMBER
51939-713__
NOTE: 3

DIM XXX
SEE NOTE 10



RECOMMENDED PCB LAYOUT



dr	Luo Weller	2012/10/28	projection 	MM 	size	A4	scale	1:1			
eng	Luo Weller	2012/11/14			ecn no	-					
chr	-	-			rel level	Released					
appr	Pei-Ming Zheng	2012/11/14	product family	PwrBlade							
		title			8S+2ACP+1P+7DCP		dwg no		51939-713	rev	A
www.fci.com		cat. no.			-		Product - Customer Drw		sheet 3 of 4		

PRODUCT NUMBER

51939-713__
NOTE: 3

NOTES:

1. DIMENSIONS AND TOLERANCES ARE IN ACCORDANCE WITH ASME Y14.5M, 1994 UNLESS OTHERWISE SPECIFIED.

CONNECTOR NOTES:

- 2. HOUSING MATERIAL: UL 94 V-0 GLASS FILLED HIGH-TEMP THERMOPLASTIC
POWER CONTACT MATERIAL: COPPER ALLOY
SIGNAL PIN MATERIAL: COPPER ALLOY
- 3. SEE ITEM 1 & 2 IN PRINT 10064183 FOR PLATING SPEC OF 51939-713 AND 51939-713LF RESPECTIVELY.
- 4. MANUFACTURER'S NAME, DATE CODE AND OPTIONAL P/N TO APPEAR ON THIS SURFACE. THE MARK CAN BE OMITTED IF THERE IS NOT ENOUGH SPACE ON THIS SURFACE.
- 5. PRODUCT SPECIFICATION GS-12-149.
APPLICATION SPECIFICATION BUS-20-067.
- 6. PACKAGED IN TRAYS.

PCB NOTES:

- 7. ALL HOLE DIAMETERS ARE FINISHED HOLE SIZE.
- 8. MOUNTING HOLES, WHERE APPLICABLE, ARE UNPLATED.
- 9. $\varnothing 1.151 \pm 0.025$ DRILLED HOLES PLATED WITH
0.008 MIN SnPb OR Sn OVER 0.03
TO 0.08 Cu PLATING TO ACHIEVE
 $\varnothing 1.02 \pm 0.07$ HOLE.
- 10. "DIM XXX" TO BE DETERMINED BY THE CUSTOMER.
- 11. CONNECTOR KEEP-OUT ZONE.



Copyright FCI.

dr	Luo Weller	2012/10/28	projection 	MM 	size	A4	scale	1:1	
eng	Luo Weller	2012/11/14			ecn no	-			
chr	-	-							
appr	Pei-Ming Zheng	2012/11/14	product family	PwrBlade	rel level	Released			
	title	8S+2ACP+1P+7DCP RIGHT ANGLE SOLDER HEADER			dwg no	51939-713		rev	A
www.fci.com	cat. no.	-	Product - Customer Drw			sheet 4 of 4			