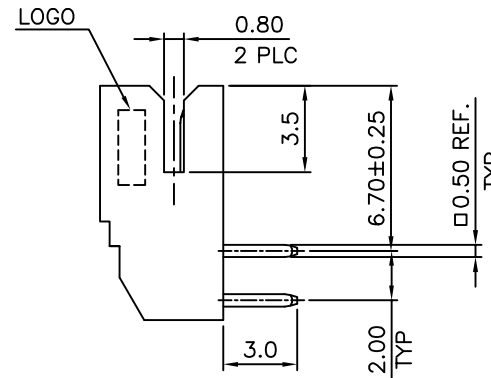
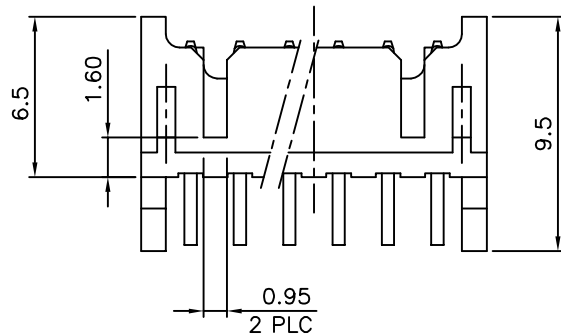
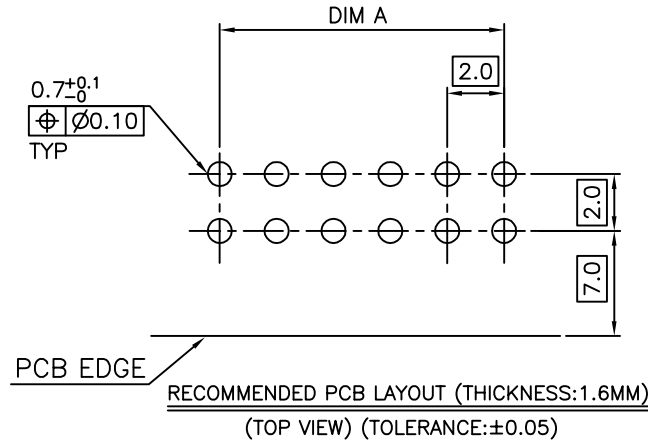
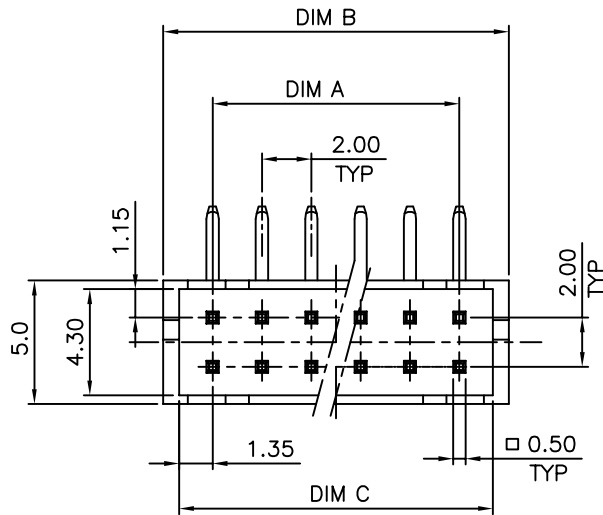


THIS DRAWING IS UNPUBLISHED. RELEASED FOR PUBLICATION AUG 2006.
 © COPYRIGHT 2009 BY TYCO ELECTRONICS CORPORATION. ALL RIGHTS RESERVED.

LOC	DIST	REVISIONS			
P	LTR	DESCRIPTION	DATE	DWN	APVD
DW	-	F3	REVISED (ECO-16-002887)	05APR2016	J.J W.H



32.74	34.0	30.0	32	3-1470108-2
30.74	32.0	28.0	30	3-1470108-0
28.74	30.0	26.0	28	2-1470108-8
26.74	28.0	24.0	26	2-1470108-6
24.74	26.0	22.0	24	2-1470108-4
22.74	24.0	20.0	22	2-1470108-2
20.74	22.0	18.0	20	2-1470108-0
18.74	20.0	16.0	18	1-1470108-8
16.74	18.0	14.0	16	1-1470108-6
14.74	16.0	12.0	14	1-1470108-4
12.74	14.0	10.0	12	1-1470108-2
10.74	12.0	8.0	10	1-1470108-0
8.74	10.0	6.0	8	1470108-8
6.74	8.0	4.0	6	1470108-6
DIM C	DIM B	DIM A	POS.	PART NUMBER

NOTE:

- MATERIAL:
HOUSING: THERMOPLASTIC UL94V-0, NATURAL COLOR.
CONTACT: BRASS, THICKNESS=0.20MM.
- FINISH:
CONTACT: 100u" MIN. TIN PLATED ON CONTACT AREA,
30u" MIN. NICKEL UNDERPLATED OVER ALL.
- WAVE SOLDER CAPABLE TO 265°C PER TEST SPEC.
109-202, CONDITION B.

THIS DRAWING IS A CONTROLLED DOCUMENT.

DWN J. LEE 24OCT2005	TE Connectivity 2.0MM PITCH HEADER, DIP, RIGHT ANGLE TYPE	
CHK S. HOU 24OCT2005		
APVD W.J. KE 24OCT2005		
NAME		
DIMENSIONS: MM	PRODUCT SPEC 108-57217	
TOLERANCES UNLESS OTHERWISE SPECIFIED: 0 PLC ± - 1 PLC ± 0.3 2 PLC ± 0.2 3 PLC ± 0.1 4 PLC ANGLES ± -	QUALIFICATION TEST REPORT 501-57218	
MATERIAL SEE NOTE	WEIGHT - GRAMS	
FINISH SEE NOTE	CUSTOMER DRAWING	
SIZE A3		CAGE CODE 00779
DRAWING NO C=1470108		RESTRICTED TO -
SCALE -		SHEET 1 of 3
REV F3		

4

3

2

1

THIS DRAWING IS UNPUBLISHED.

RELEASED FOR PUBLICATION AUG 2006.

© COPYRIGHT 2009 BY TYCO ELECTRONICS CORPORATION. ALL RIGHTS RESERVED.

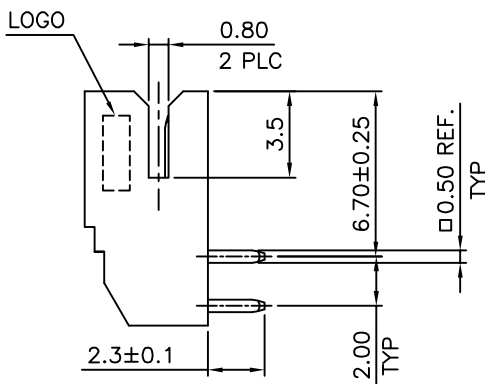
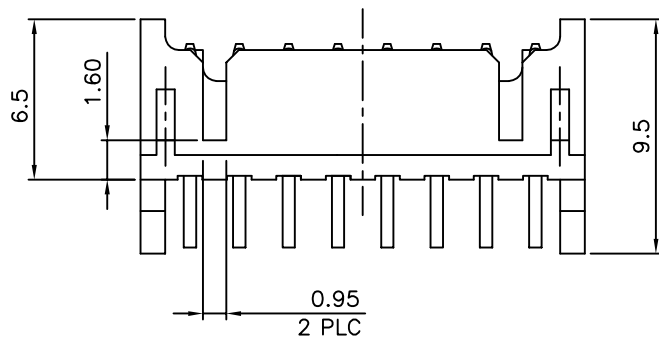
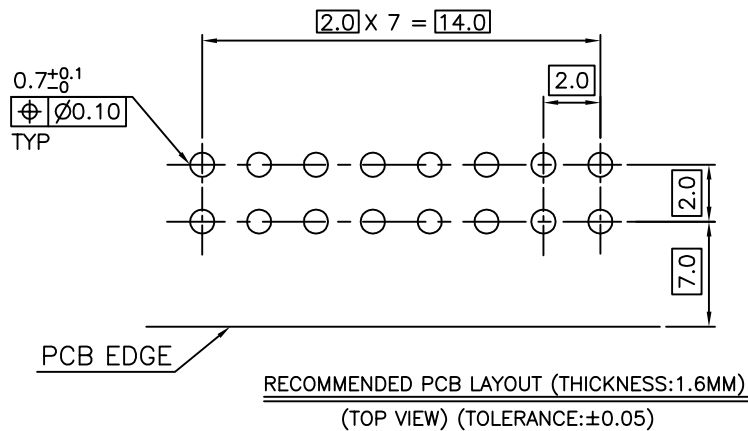
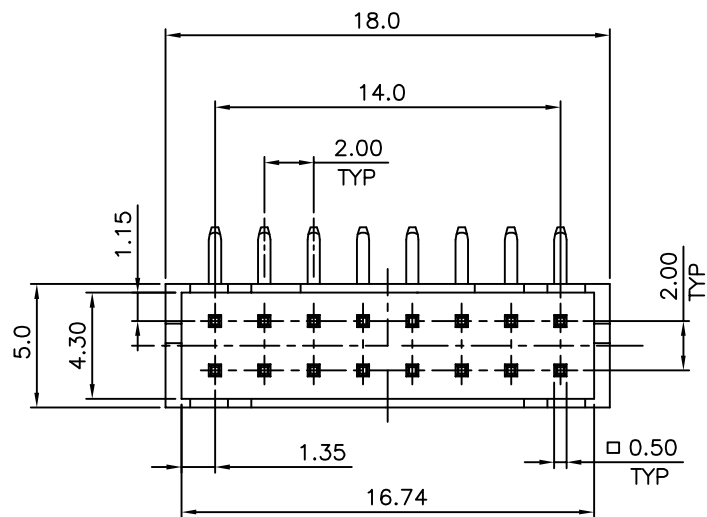
ALL RIGHTS RESERVED.

LOC DW

DIST

REVISIONS

P	LTR	DESCRIPTION	DATE	DWN	APVD
		SEE SHEET 1.			



16	4-1470108-6
POS.	PART NUMBER

THIS DRAWING IS A CONTROLLED DOCUMENT.		DWN	TE TE Connectivity	
		CHK		
DIMENSIONS: MM		APVD	NAME	
TOLERANCES UNLESS OTHERWISE SPECIFIED:		PRODUCT SPEC	2.0MM PITCH HEADER, DIP, RIGHT ANGLE TYPE	
0 PLC ± -		APPLICATION SPEC	SIZE	CAGE CODE
1 PLC ± 0.3			A3	00779
2 PLC ± 0.2		WEIGHT	DRAWING NO	
3 PLC ± 0.1			C=1470108	
4 PLC ± -			RESTRICTED TO	
ANGLES ± 3°		CUSTOMER DRAWING	SCALE	SHEET
MATERIAL	FINISH			2 OF 3
SEE SHEET 1.	SEE SHEET 1.			REV F3

4

3

2

1

THIS DRAWING IS UNPUBLISHED.

RELEASED FOR PUBLICATION

AUG 2006.

© COPYRIGHT 2009

BY TYCO ELECTRONICS CORPORATION.

ALL RIGHTS RESERVED.

LOC
DW

DIST

REVISIONS

P LTR

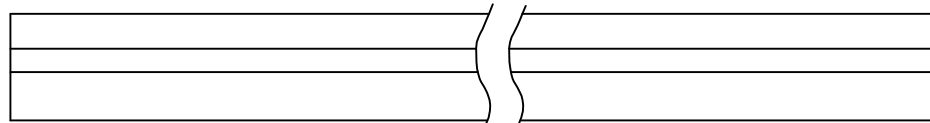
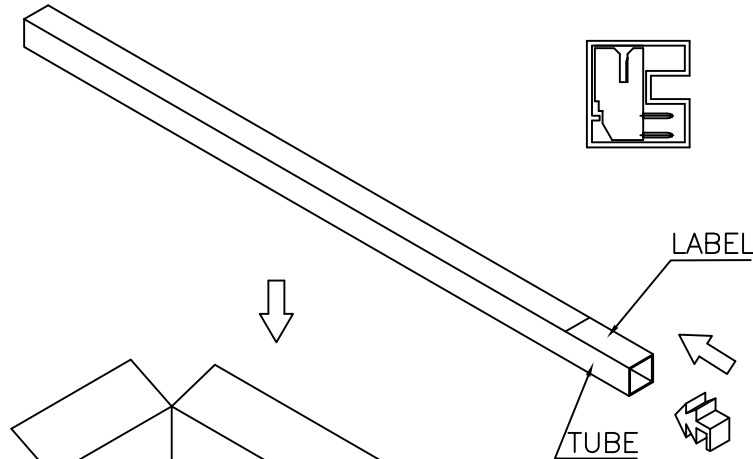
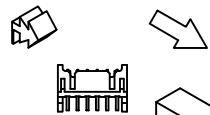
DESCRIPTION

DATE

DWN

APVD

SEE SHEET 1.



1,890	30	4-1470108-6
1,008	16	3-1470108-2
1,008	16	3-1470108-0
1,134	18	2-1470108-8
1,260	20	2-1470108-6
1,260	20	2-1470108-4
1,386	22	2-1470108-2
1,575	25	2-1470108-0
1,764	28	1-1470108-8
1,890	30	1-1470108-6
2,205	35	1-1470108-4
2,520	40	1-1470108-2
2,898	46	1-1470108-0
3,528	56	1470108-8
4,410	70	1470108-6
APQ (PCS/CARTON)	PPQ (PCS/TUBE)	PART NUMBER

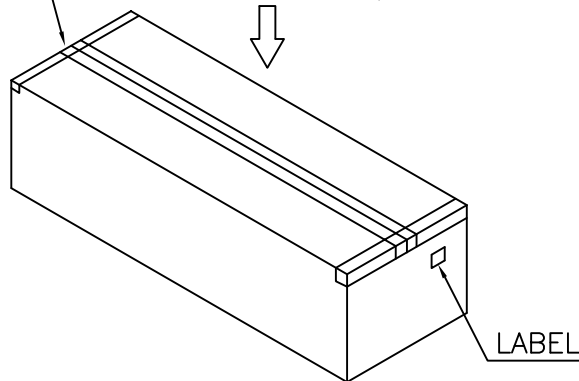
NOTES:

1. DIMENSION :

TUBE : L=600, W=10, H=10

SHIPPING CARTON : L=615, W=110, H=100

CARTON



THIS DRAWING IS A CONTROLLED DOCUMENT.		DWN		
DIMENSIONS: MM		CHK		
TOLERANCES UNLESS OTHERWISE SPECIFIED:		APVD	NAME	
0 PLC ± -		PRODUCT SPEC	2.0MM PITCH HEADER, DIP, RIGHT ANGLE TYPE	
1 PLC ± -		APPLICATION SPEC	SIZE CAGE CODE DRAWING NO	
2 PLC ± -		WEIGHT	A3 00779 C=1470108	
3 PLC ± -		CUSTOMER DRAWING	RESTRICTED TO	
4 PLC ± -		SCALE	SHEET 3 of 3 REV F3	
ANGLES ± -				
FINISH				
MATERIAL				