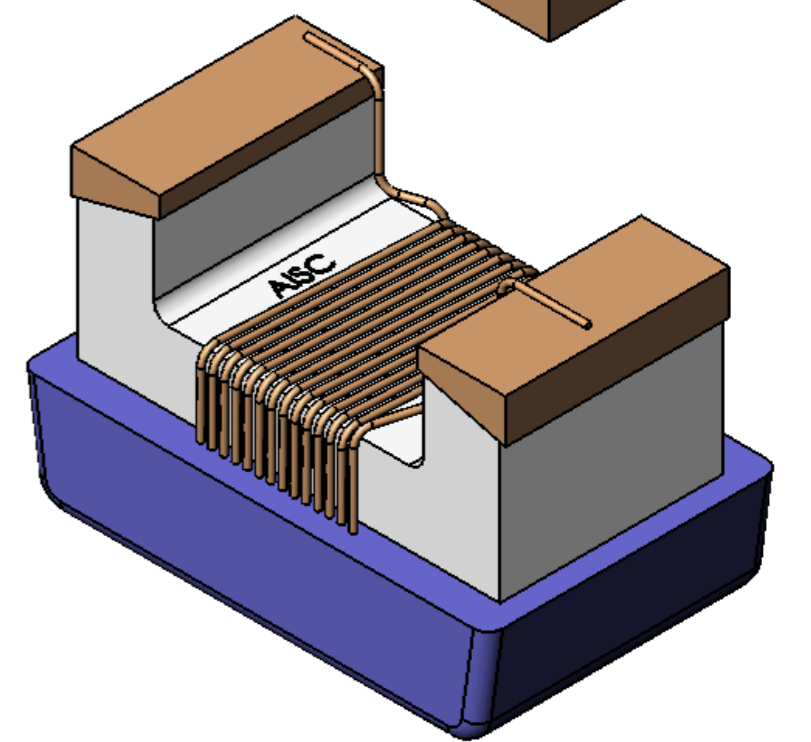
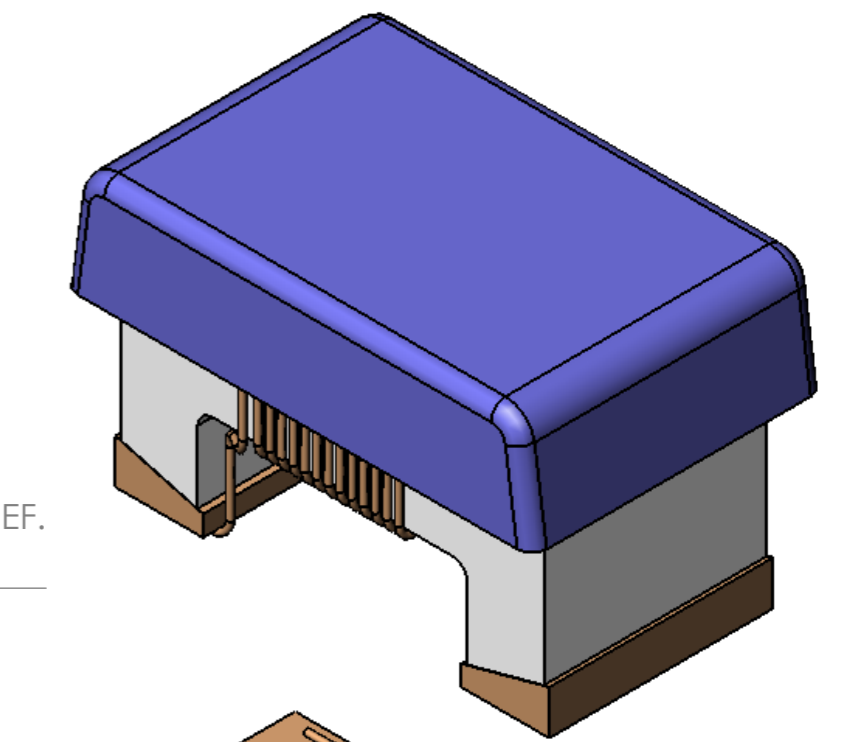
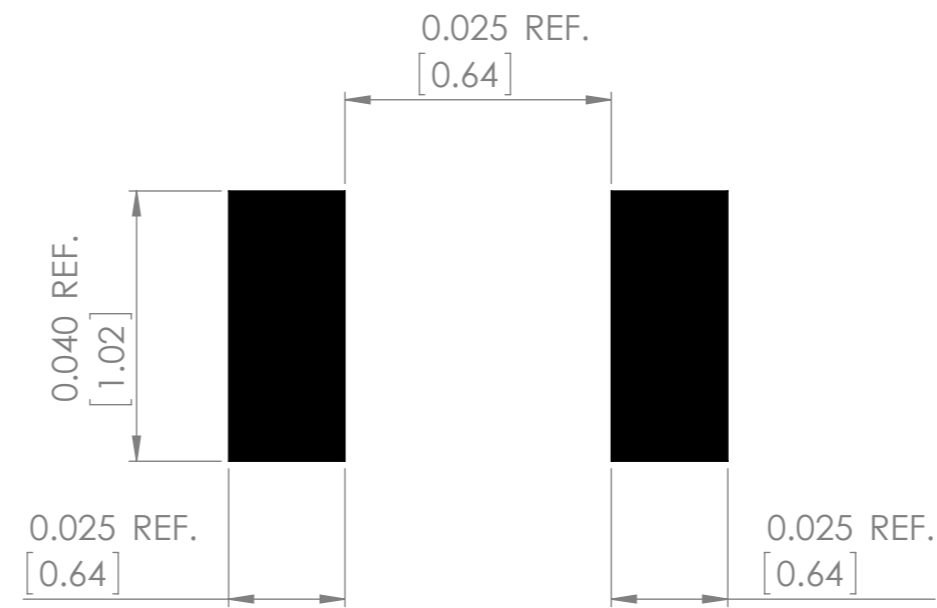



Recommended Land Pattern



UNLESS OTHERWISE SPECIFIED: DIMENSIONS ARE IN INCH(MM) SURFACE FINISH: TOLERANCES: LINEAR: ANGULAR:				FINISH:		DEBUR AND BREAK SHARP EDGES		DO NOT SCALE DRAWING		REVISION -	
DRAWN SAAZVAT				SIGNATURE		DATE		 <p>30332 Esperanza, Rancho Santa margarita, California 92688</p> <p>TITLE: Wirewound</p> <p>DWG NO. AISC-0603F</p> <p>SCALE:55:1</p> <p>SHEET 1 OF 1</p>			
CHK'D XXXXXX											
APP'V'D											
MFG											
Q.A											
						MATERIAL:				A3	
						WEIGHT:					