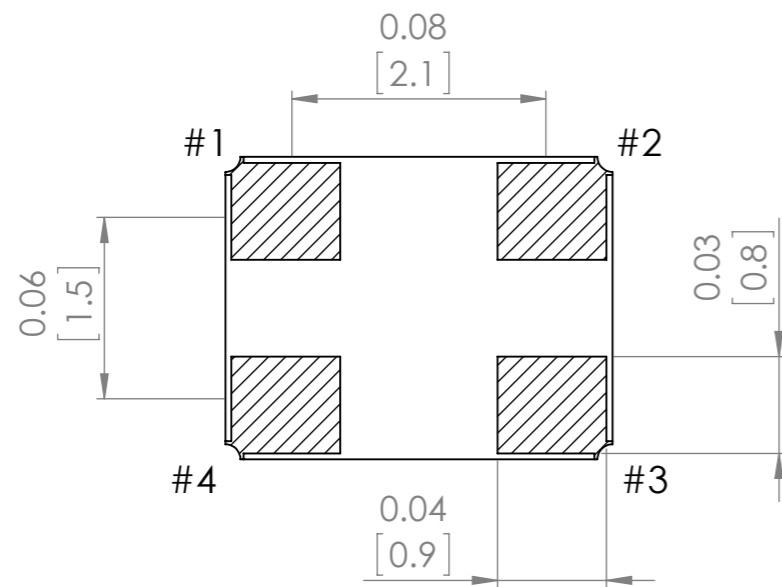
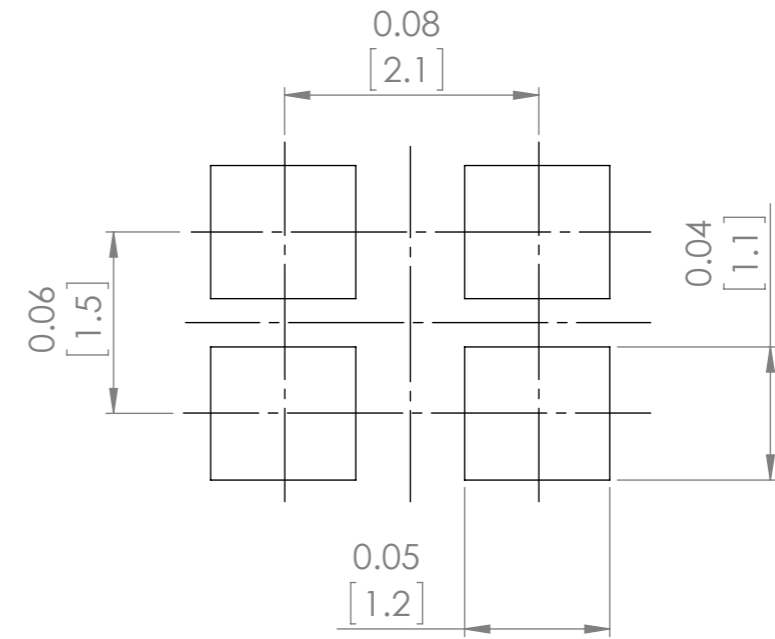
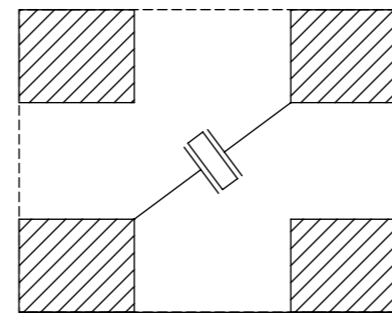


Example of Solder Pattern

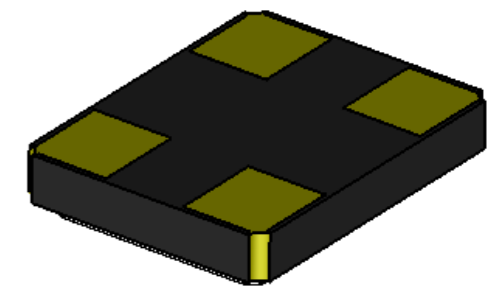


Top View



Pad #2 and #4 connected with metal cap


Do not design any conductive path between the pattern



Pin Function

- #1 Crystal connection
- #2 GND
- #3 Crystal connection
- #4 GND

TOP PACKAGE MARKING IS FOR ILLUSTRATION PURPOSES ONLY

UNLESS OTHERWISE SPECIFIED: DIMENSIONS ARE IN MM SURFACE FINISH: TOLERANCES: LINEAR: ANGULAR:				FINISH:		DEBUR AND BREAK SHARP EDGES		DO NOT SCALE DRAWING		REVISION -	
DRAWN SAAZVAT		SIGNATURE		DATE				 30332 Esperanza, Rancho Santa margarita, California 92688		TITLE: SMD Crystal	
CHK'D XXXXXX										DWG NO. ABM8X	
APPV'D								SCALE:16:1		SHEET 1 OF 1	
MFG						MATERIAL:					
Q.A						WEIGHT:					