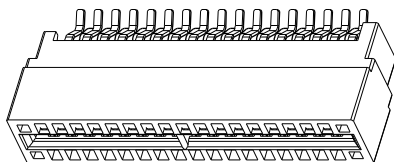
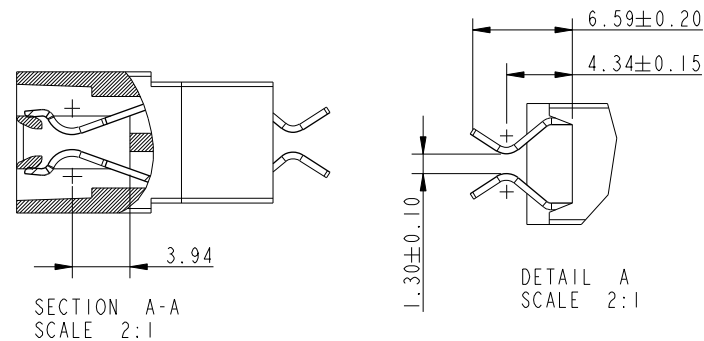
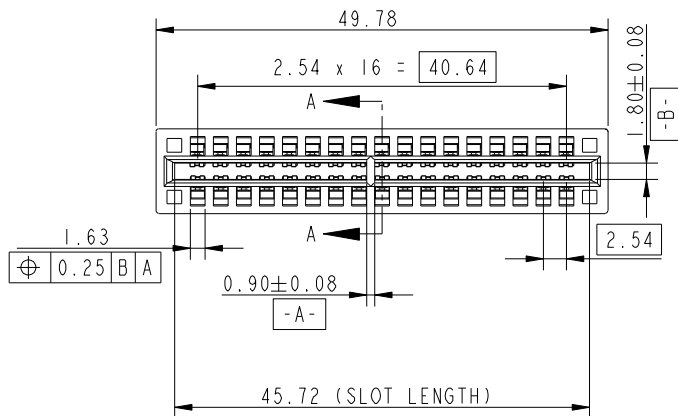
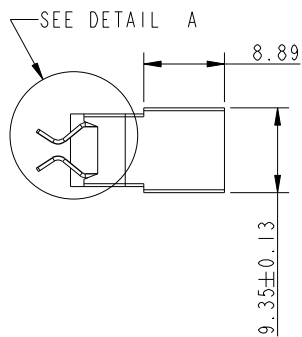
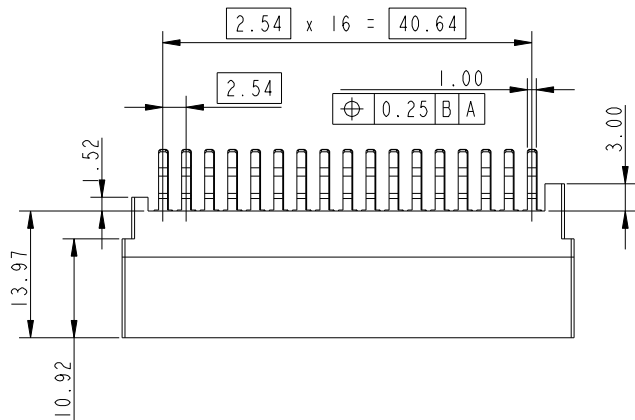


PRODUCT NUMBER
10034908-007LF

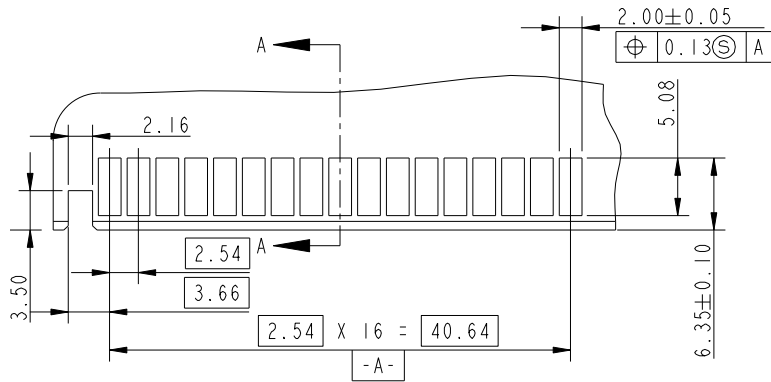
- NOTE:
 1. MATERIAL
 HOUSING: HIGH TEMPERATURE THERMOPLASTIC
 UL 94 V-0 FLAME RETARDANT, BLACK.
 TERMINAL: HIGH CONDUCTIVITY COPPER ALLOY.
 PLATING: CONTACT AREA: 30u" Au OVER 50u" Ni UNDER ALL
 SOLDER TAIL: 100u" MATTE PURE TIN OVER 50u" Ni UNDER.
2. PRODUCT SPECIFICATION: GS-12-279.
 3. PRODUCT PACKAGING SPEC: GS-14-937.
4. THIS CONNECTOR MEETS EUROPEAN UNION
 DIRECTIVE AND OTHER COUNTRY REGULATIONS AS DESCRIBED
 IN GS-22-008.
 THE HOUSING WILL WITHSTAND EXPOSURE TO 260°C PEAK
 TEMPERATURE FOR 10 SECONDS IN A REFLOW SOLDER APPLICATION
 WITH A CIRCUIT BOARD.
5. MANUFACTURER'S NAME, P/N AND DATE CODE
 TO APPEAR ON THIS SURFACE AS PER GS-24-007.



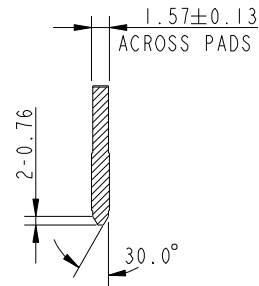
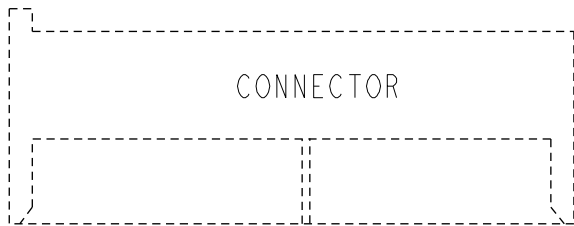
rev	ecn no	dr	date
A	DG08-0073	JW	10/29/07
-	-	-	-
-	-	-	-
-	-	-	-
-	-	-	-
-	-	-	-

www.fciconnect.com		surface <input checked="" type="checkbox"/>	tolerance std	projection	MM
TOLERANCES UNLESS OTHERWISE SPECIFIED					
Dr	JULIA WANG	10/29/07	ANGULAR	0.X ±0.5	size A4 Scale 1:1
Eng	JULIA WANG	10/29/07	LINEAR	0.XX ±0.25	
Chr	GARY HSIEH	10/29/07	0° ±2°	0.XXX ±0.10	ECN DG08-0073
Appr	JOSEPH HSIA	10/29/07	Product family		Spec ref *
FCI		title STRADDLE MOUNT TYPE		dwg no 10034908-007 Rev. A	
		POWER EDGE CARD		* CUSTOMER COPY sheet 1 of 2	
		catalog no			

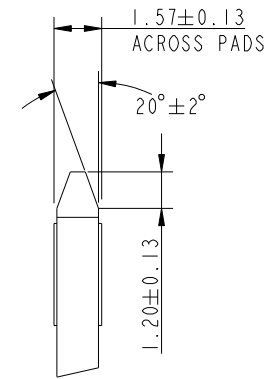
PRODUCT NUMBER
10034908-007LF



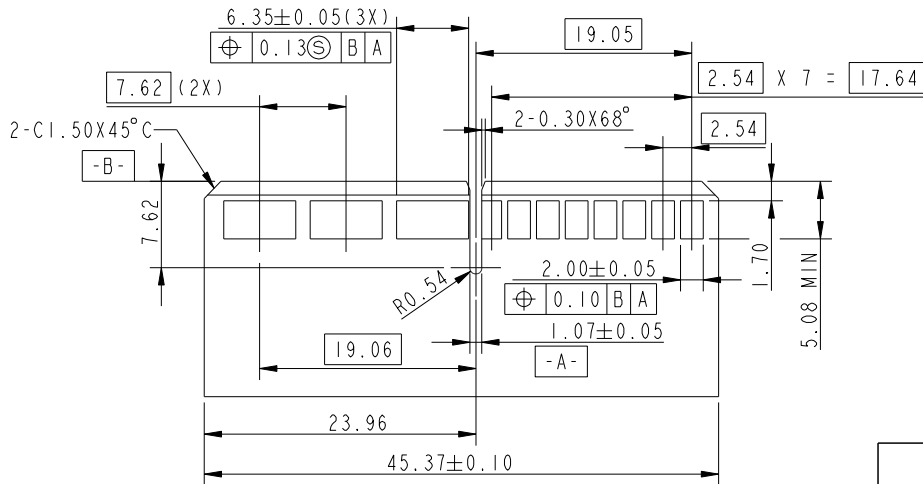
RECOMMENDED PCB LAYOUT FOR CONNECTOR MOUNTING
TYPICAL BOTH SIDES



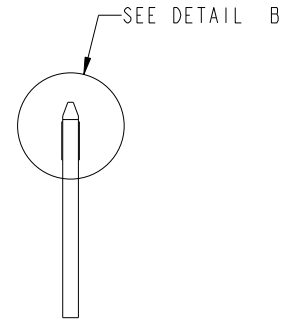
SECTION A-A



DETAIL B
SCALE 4:1



RECOMMENDED MATING BOARD EDGE CONFIGURATION



www.fciconnect.com		surface	tolerance std	projection	MM
		✓			
		TOLERANCES UNLESS OTHERWISE SPECIFIED			
Dr	JULIA WANG	10/29/07	ANGULAR	0.X	±0.5
Eng	JULIA WANG	10/29/07	LINEAR	0.XX	±0.25
Chr	GARY HSIEH	10/29/07	0° ±2°	0.XXX	±0.10
Appr	JOSEPH HSIA	10/29/07	Product family	ECN	DG08-0073
title				Spec ref	*
STRADDLE MOUNT TYPE				10034908-007	Rev. A
POWER EDGE CARD					
catalog no				* CUSTOMER COPY	sheet 2 of 2