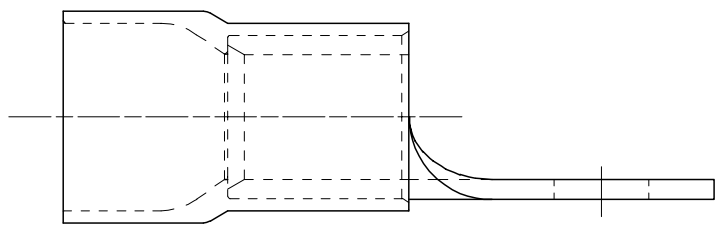
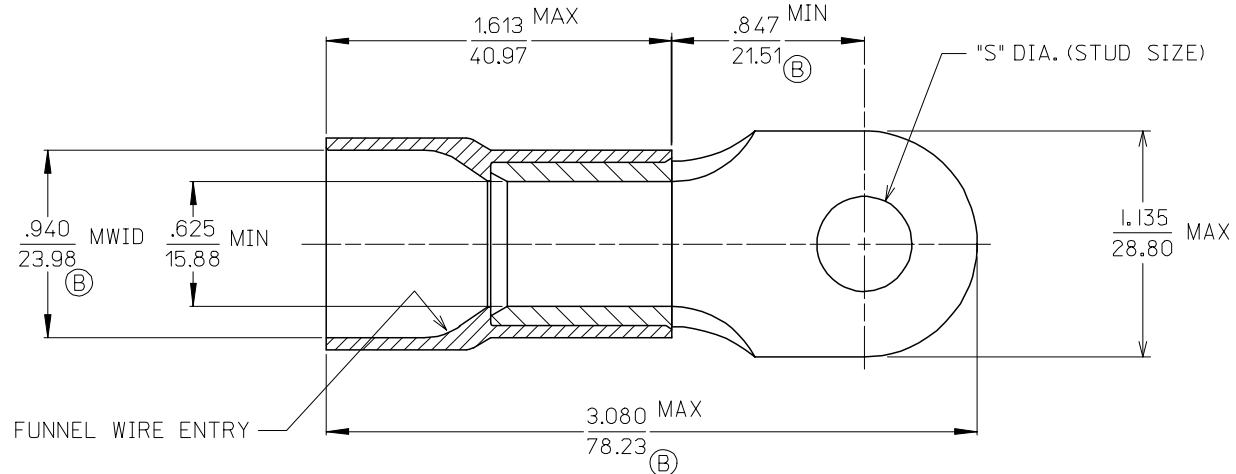


MATERIAL NUMBER	ALTERNATE NUMBER	STUD SIZES	"S" REF.
190670123	L-995-12	1/2	.515
190670124	L-995-38	3/8	.390
190670125	L-995-76	7/16	.453
190670131	L-995-58	5/8	.656
190670369	L-995-56	5/16	.313



CUSTOMER DRAWING

- NOTES:
1. MATERIAL: COPPER .102 THICK
PLATING: ELECTROPLATE TIN
 2. INSULATION: BLUE NYLON 6/6
 3. MWID=MAXIMUM WIRE INSULATION DIA.
 4. ALL COMPONENTS ARE ROHS COMPLIANT.

Added 5/16" Stud Size EC NO: ETC2006-0388 DRWN: JSCHOLEY 2006/05/08 CHKD: REROSS 2006/05/11 APPR: REROSS 2006/05/11	QUALITY SYMBOLS ▽=0 ▽=0	GENERAL TOLERANCES (UNLESS SPECIFIED)		DIMENSION STYLE	SCALE	DESIGN UNITS	THIRD ANGLE PROJECTION	
				IN/MM	---	INCH	☉	
		4 PLACES	± ---	± ---	DRAWN BY	DATE	TITLE	
		3 PLACES	± ---	± .005	EDB	2001/02/02	NYLAKRIMP FUNNEL ENTRY RING TONGUE TERMINAL 4/0 AWG	
2 PLACES	± 0.13	± .01	CHECKED BY	DATE	MOLEX INCORPORATED			
1 PLACE	± 0.25	± ---	HEB	2001/02/02	MATERIAL NO. DOCUMENT NO. SHEET NO.			
ANGULAR ±1/2°			APPROVED BY	DATE	SD-19067-009		1 OF 1	
DRAFT WHERE APPLICABLE MUST REMAIN WITHIN DIMENSIONS			RWD	2001/02/02	SEE CHART			
			MATERIAL NO.	THIS DRAWING CONTAINS INFORMATION THAT IS PROPRIETARY TO MOLEX INCORPORATED AND SHOULD NOT BE USED WITHOUT WRITTEN PERMISSION				
			SIZE					
			B					