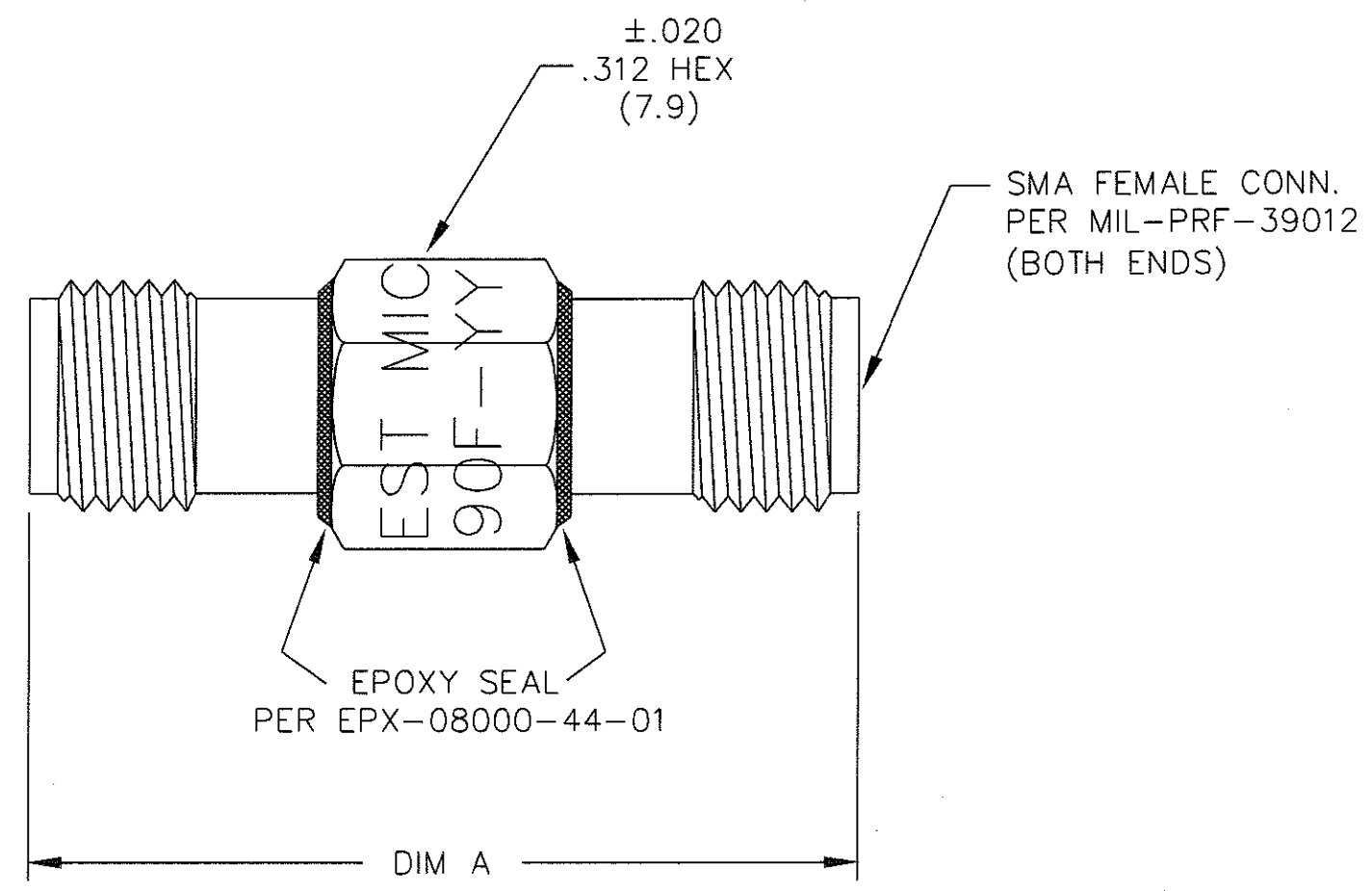


NOTES:

- 1.0 SPECIFICATIONS:
 1.1 FREQ. RANGE: DC to 18.0 GHz
 1.2 ATTENUATION ACCURACY:
 0dB +.3/-0dB
 1 to 6dB ±0.3dB
 7 to 20dB ±0.5dB
 21 to 30dB ±1.0dB
 1.3 MAXIMUM VSWR: 1.07+0.015f(GHz)
 1.4 MAXIMUM INPUT POWER:
 2 WATTS AVG AT +25°C DERATED LINEARLY
 TO 0.5 WATTS AT +125°C.
 1.5 OPERATING TEMP. RANGE: -65°C to +125°C
- 2.0 MARKING
 2.1 MARK UNIT AS SHOWN
 (REF.: INK-06469-27-XX)
- 3.0 DIMENSIONS IN PARENTHESIS ARE
 IN MILLIMETERS.



| | |
|-------------------|------------|
| 13 - 30dB | 1.03(26.2) |
| 0 - 12dB | .90(22.9) |
| ATTENUATION VALUE | DIM A |

WAS DWG. NO.: 04242-01-00

| REV. | DESCRIPTION | DATE |
|------|------------------|---------|
| I | RELEASED | 6/21/82 |
| A | ECR 6545 | 7/10/89 |
| B | ECR 6933 | 11/6/90 |
| B1 | UPDATE MODEL # | 2/5/91 |
| C | ECN 14889/ON CAD | 12/6/95 |
| D | ECN 15030 | 1/25/96 |
| E | ECN 16216 | 9/15/97 |
| E1 | ADDED TITLEBLOCK | 3/22/05 |

| | | | | |
|--|--|---|--------------------------|--------------------------------------|
| UNLESS OTHERWISE NOTED DIMENSIONS ARE IN INCHES AND TOLERANCES ARE: | | FSCM NO. 34078 | MIDWEST MICROWAVE | |
| 3 PLACE DECIMALS ±.005 2 PLACE DECIMALS ±.02 FRACTIONS ±1/64 PARALLELITY: T.I.R. _____ FLATNESS: T.I.R. _____ CONCENTRICITY: T.I.R. _____ ANGLES AND PERPENDICULARITY: ±1' | | NOTICE: The information contained in this drawing is proprietary and must not be used without the permission of Midwest Microwave | | TITLE ATTENUATOR |
| DRAWN/DATE M.STAFFORD 12/6/95 | | ENG./DATE G.KOZAK 12/14/95 | | DRAWING NUMBER ATT-290F-XX-HEX-02 |
| CHECKED/DATE A.BEATTY 12/13/95 | | APPROVED/DATE | | SCALE: 5=1 SHEET 1 of 1 |