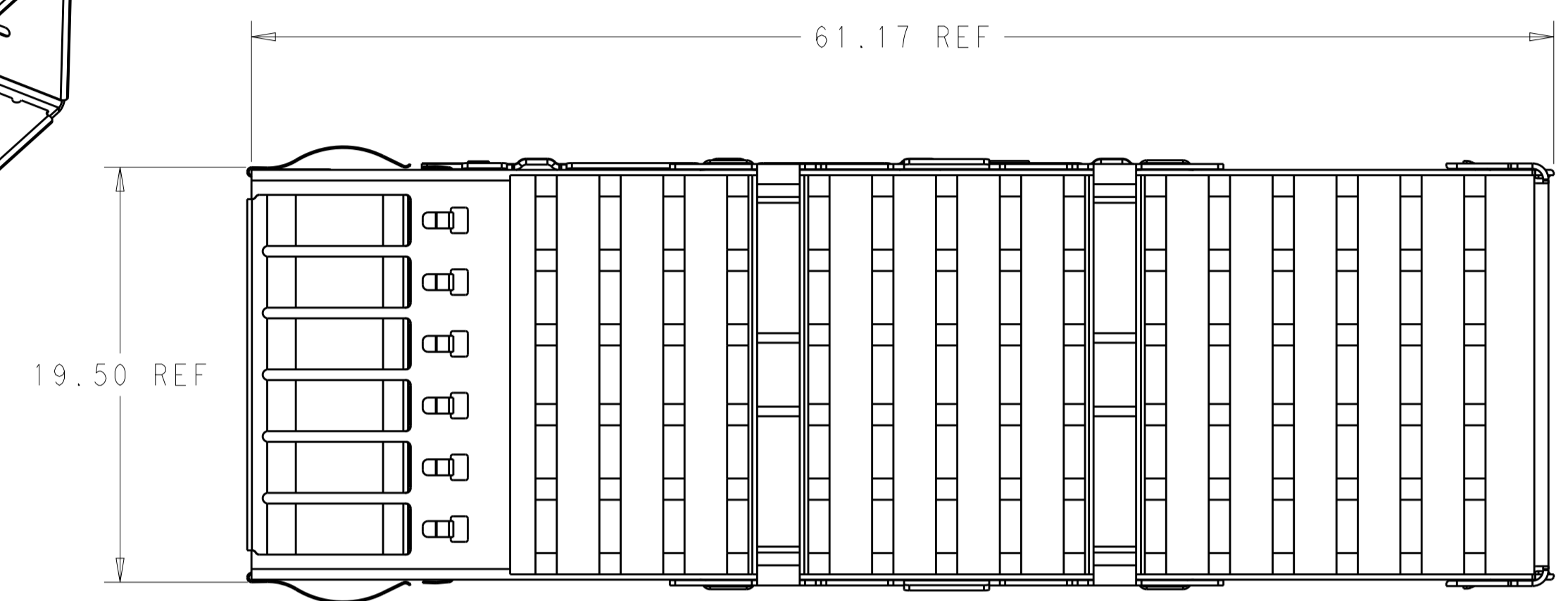
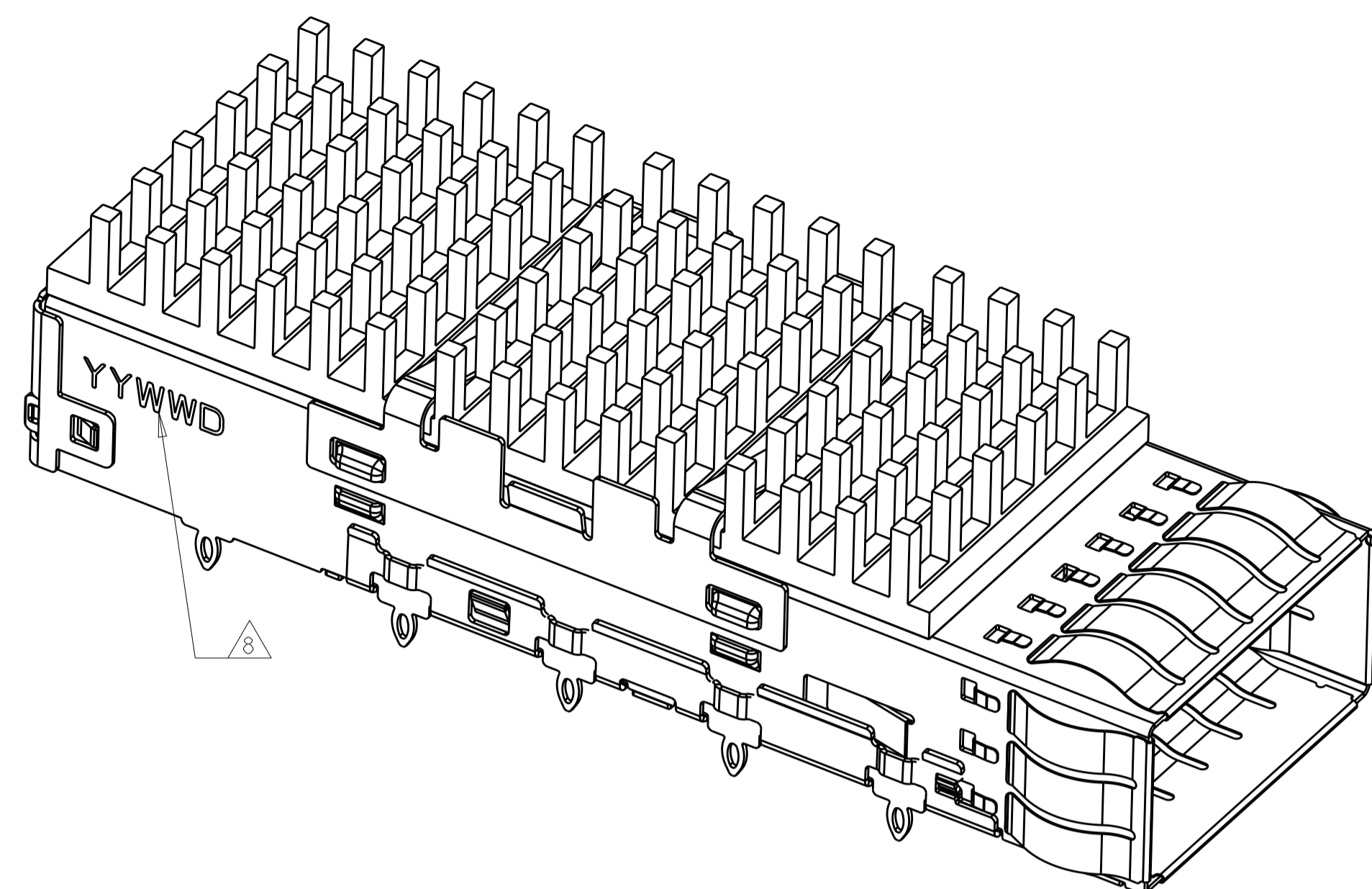
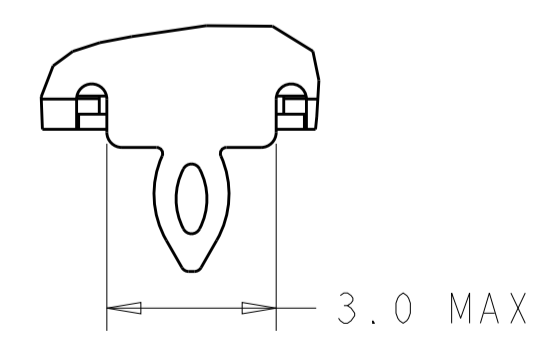
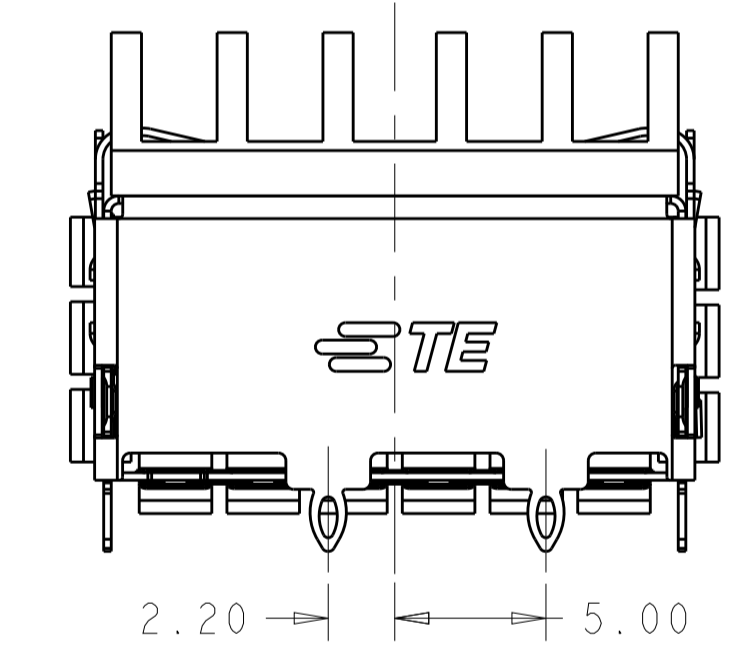
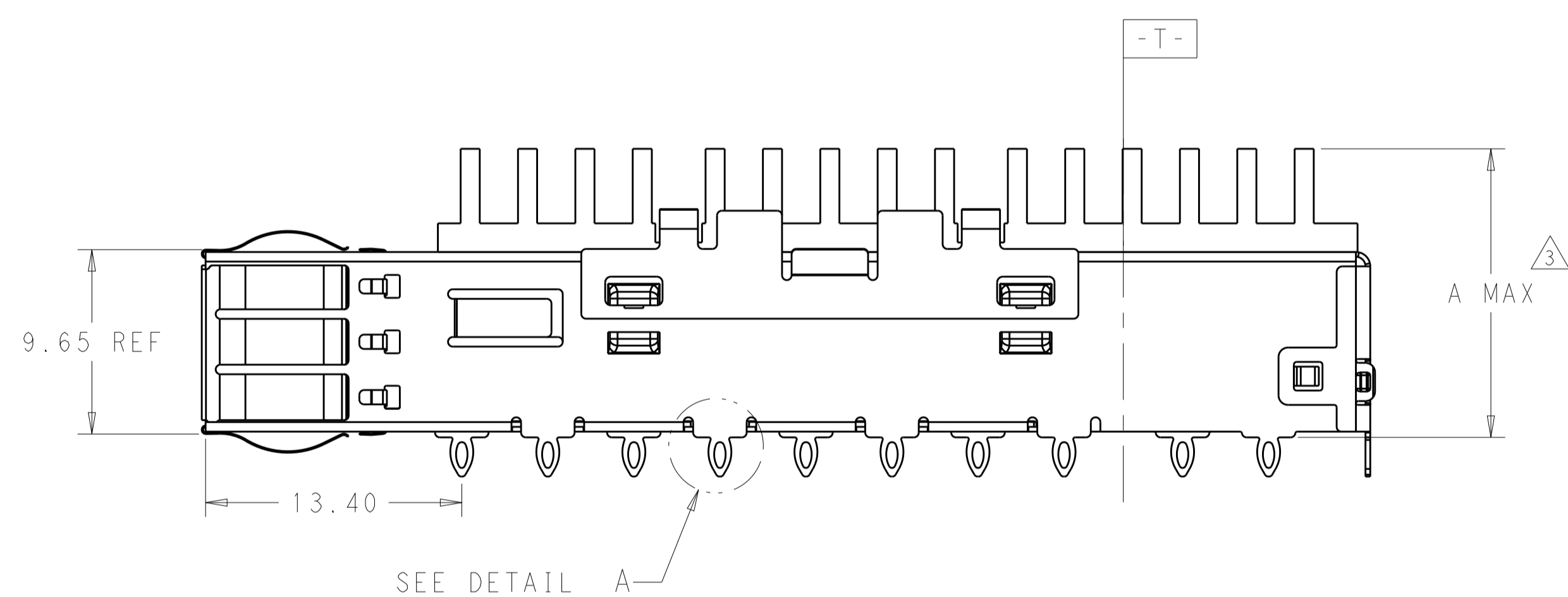
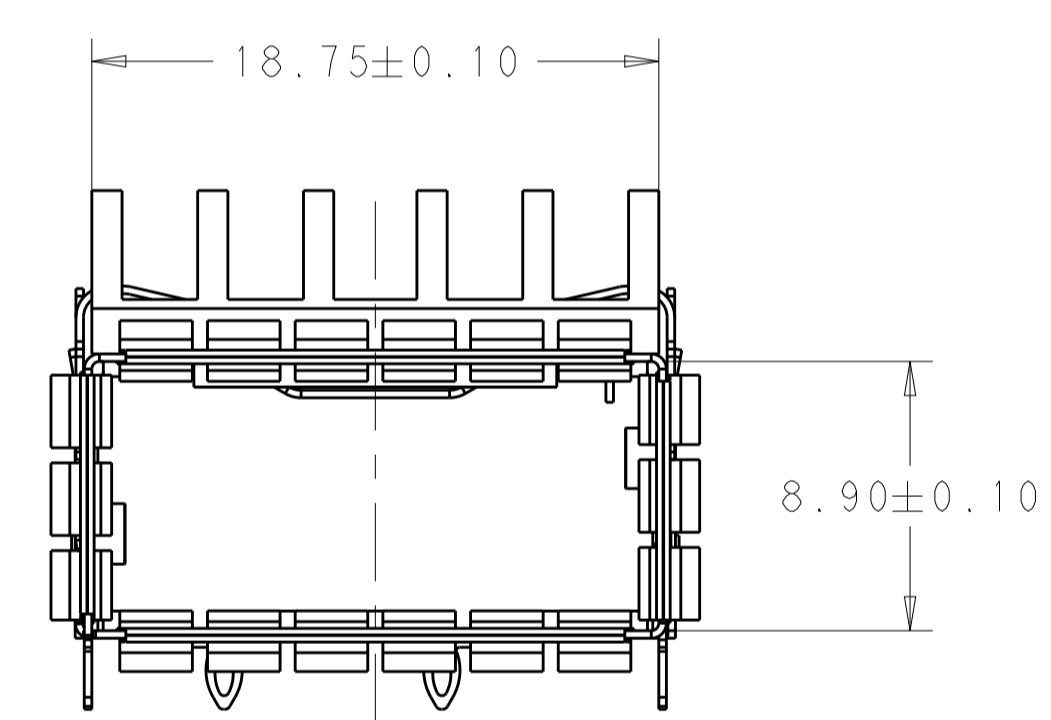


LOC		DIST		REVISIONS			
P	LTN	DESCRIPTION	DATE	OWN	APVD		
A1		REVISED PER ECO-16-008561	07JUN2016	TX	SH		
B		REVISED PER ECO-16-010870	21JUL2016	JY	SH		
B1		REVISED PER ECO-16-014592	28SEP2016	RG	SH		
B2		REVISED PER ECO-17-002298	16FEB2017	RG	SH		

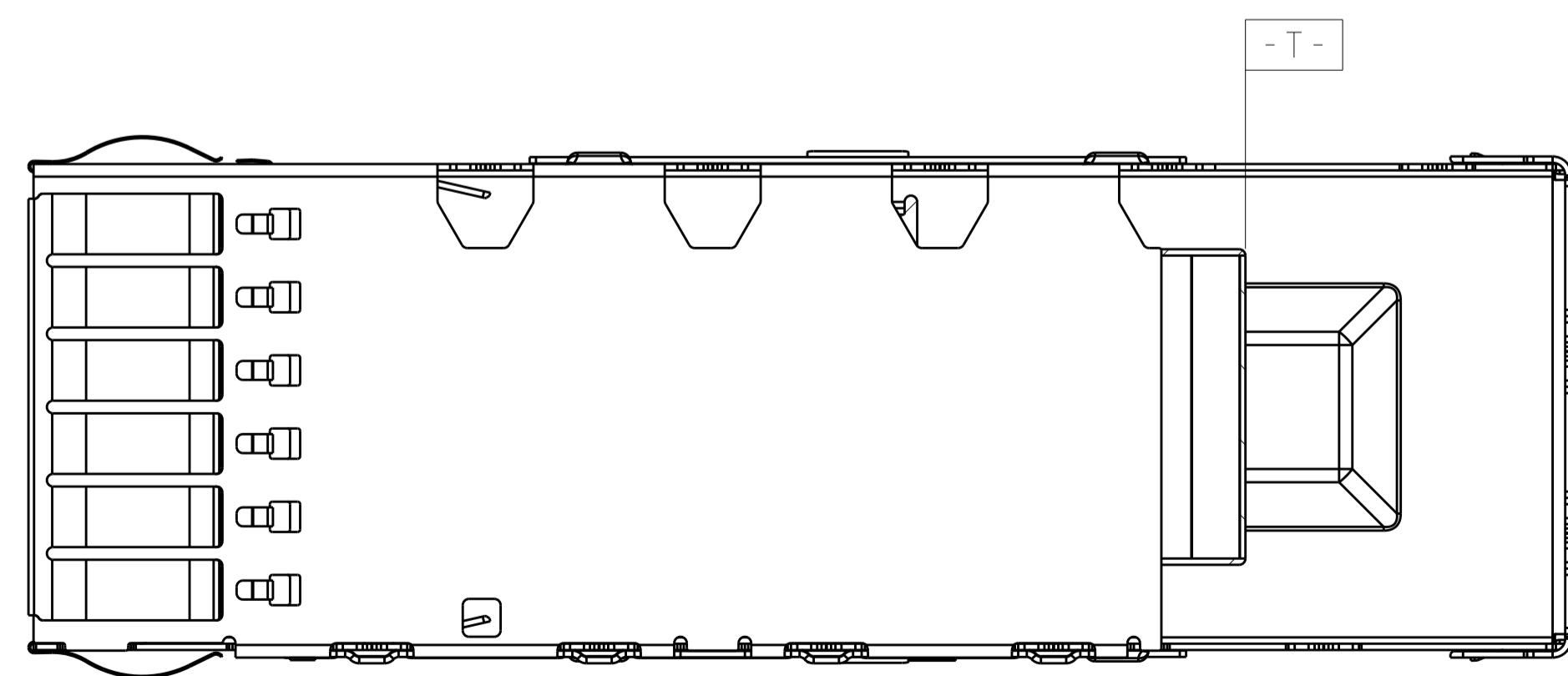


- MATERIAL:
 CAGE MATERIAL : 0.25 THICK NICKEL SILVER.
 SPRING MATERIAL: COPPER ALLOY
 HEAT SINK MATERIAL: ALUMINUM
 CLIP MATERIAL: STAINLESS STEEL
- FINISH:
 SPRING: NICKEL PLATING
 HEAT SINK: BLACK ANODIZE

- ⚠ DIMENSION APPLIES WITH MODULE INSTALLED IN THE CAGE TO TOP OF HEAT SINK.
- ⚠ REFERENCE APPLICATION SPEC 114-32023 FOR RECOMMENDED DRILL HOLE DIAMETER AND PLATING THICKNESS.
- ⚠ DATUM AND BASIC DIMENSIONS ESTABLISHED BY CUSTOMERS.
- 6. MINIMUM PC BOARD THICKNESS : SINGLES SIDED: 1.57 MIN
 DOUBLE SIDED: 3.00 MIN
- ⚠ DATUM -A- IS TOP SURFACE OF THE HOST BOARD.
- ⚠ DATE CODE (YYWWD) MARKED APPROXIMATELY AS SHOWN
- 9. MATES WITH QSFP28 MSA COMPATIBLE TRANSCEIVER.



DETAIL A
SCALE 8:1



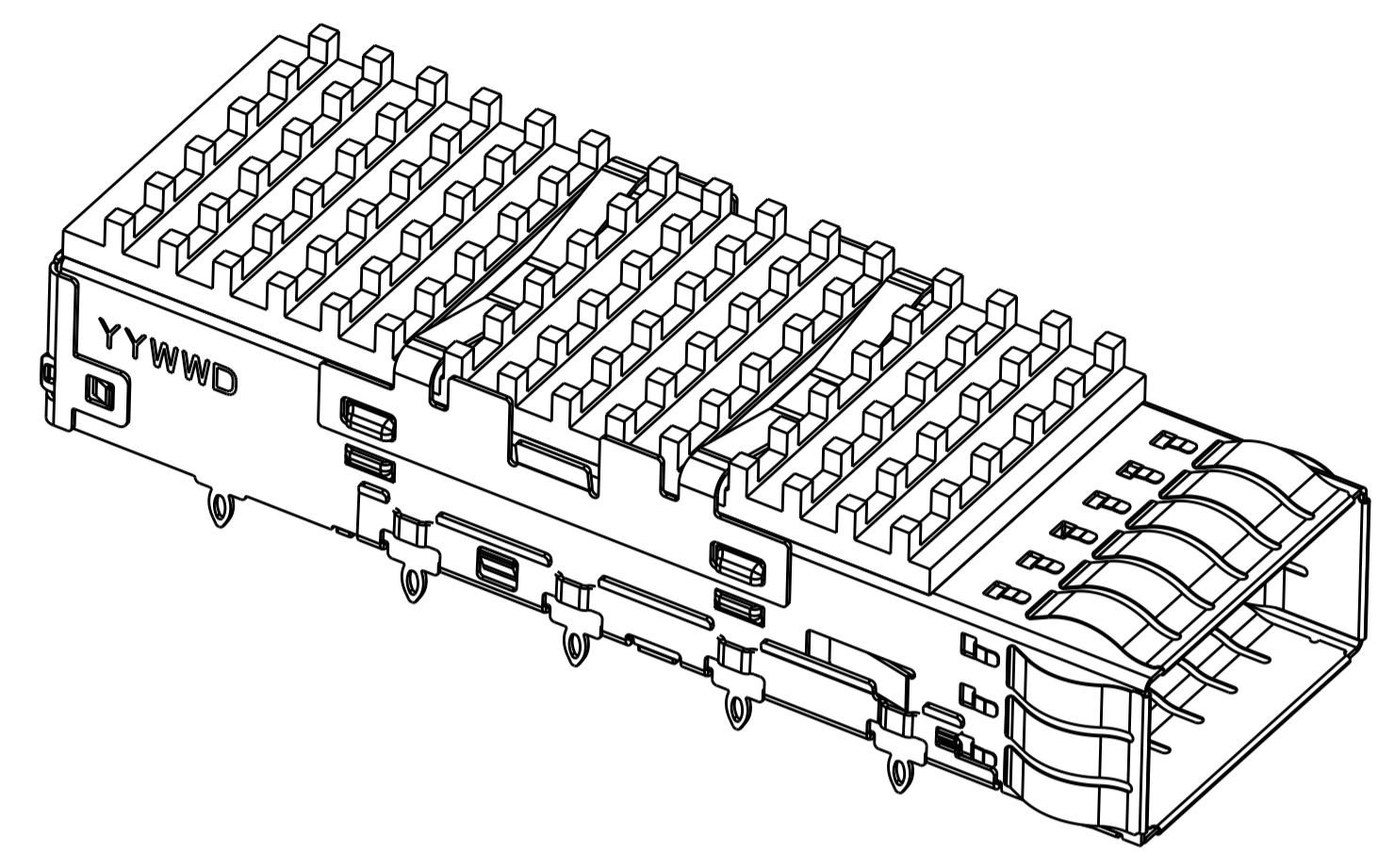
13.7	2	CUSTOMIZED	1-2170704-3
13.7	2	CUSTOMIZED	1-2170704-2
13.7	2	PCI	1-2170704-1
19.0	2	CUSTOMIZED	1-2170704-0
23.0	1	NETWORKING	2170704-9
16.0	1	SAN	2170704-8
13.7	1	PCI	2170704-7
23.0	0	NETWORKING	2170704-6
16.0	0	SAN	2170704-5
13.7	0	PCI	2170704-4
23.0	2	NETWORKING	2170704-3
16.0	2	SAN	2170704-2
13.7	2	PCI	2170704-1
DIM A	# REAR PINS	APPLICATION	PART NUMBER

2170704-2 AS SHOWN

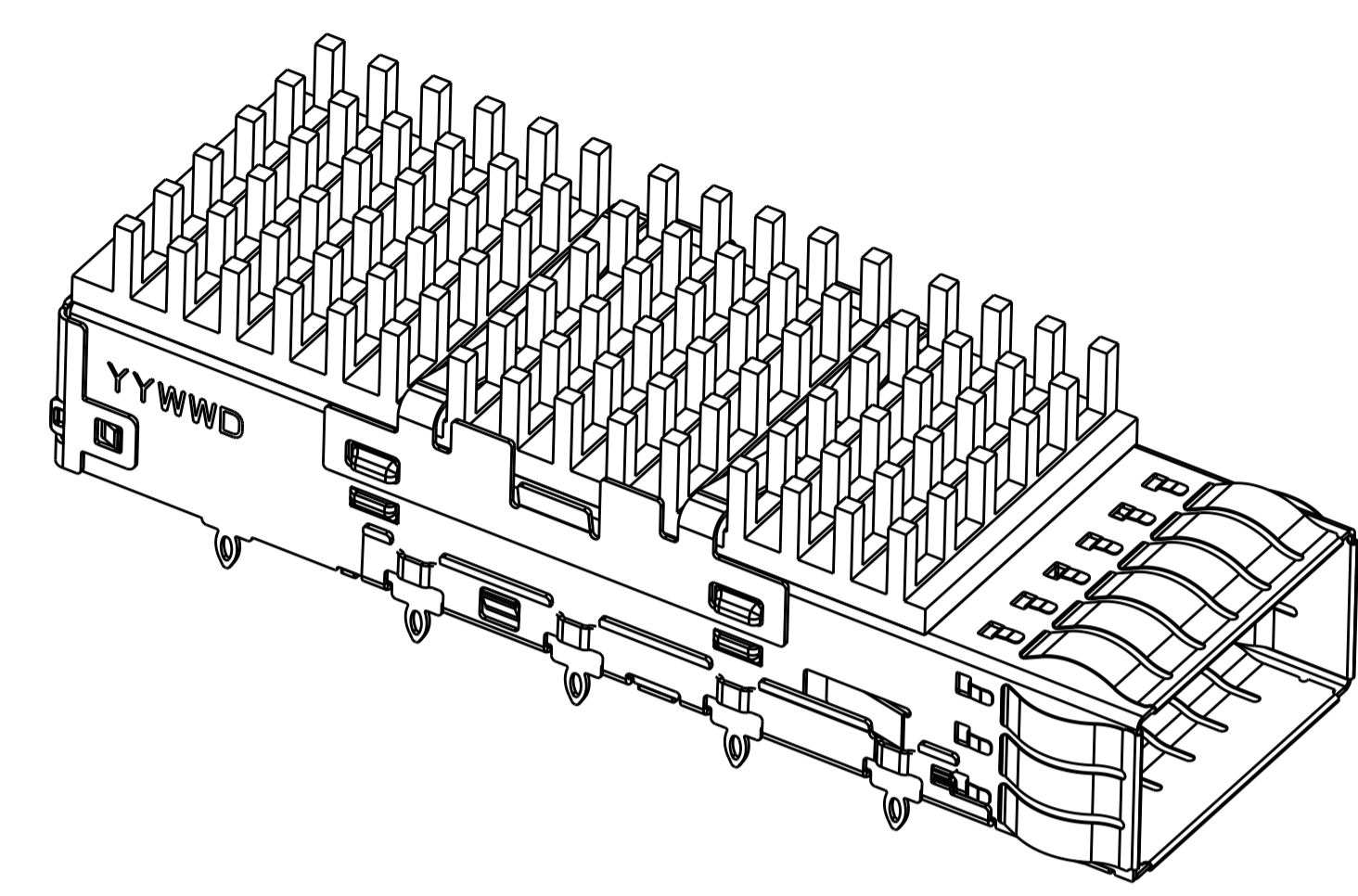
THIS DRAWING IS A CONTROLLED DOCUMENT.		OWN: JASON YANG 23SEP2013	TE Connectivity
DIMENSIONS: mm		CHK: SEAN HAN 23SEP2013	
TOLERANCES UNLESS OTHERWISE SPECIFIED:		APVD:	NAME: CAGE ASSEMBLY, QSFP28, THRU BEZEL WITH EMI SPRING FINGER HEAT SINK
0 PLC ±0.25 1 PLC ±0.25 2 PLC ±0.25 3 PLC ±0.25 4 PLC ±0.100 ANGLES ±°		PRODUCT SPEC: 108-19428 APPLICATION SPEC: 114-32023	
MATERIAL:		WEIGHT:	SIZE: A100779 CAGE CODE: C=2170704 CUSTOMER DRAWING
FINISH:		SCALE: 2:1	SHEET 1 OF 7 REV B2

LOC		DIST		REVISIONS			
P	LTN	DESCRIPTION	DATE	OWN	APVD		
-	-	SEE SHEET 1	-	-	-		

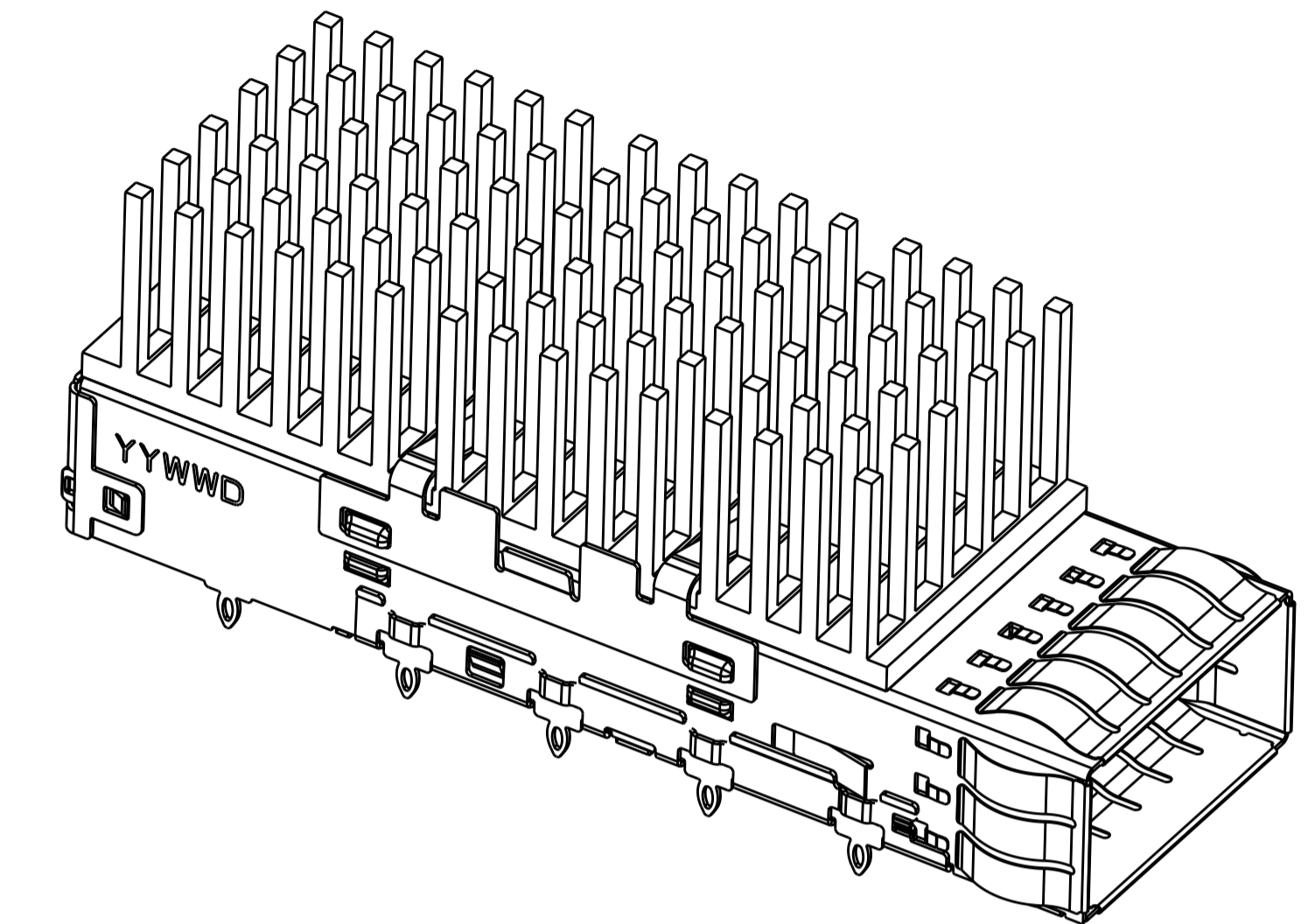
HEAT SINK OPTIONS



PCI HEAT SINK
SCALE 3:1

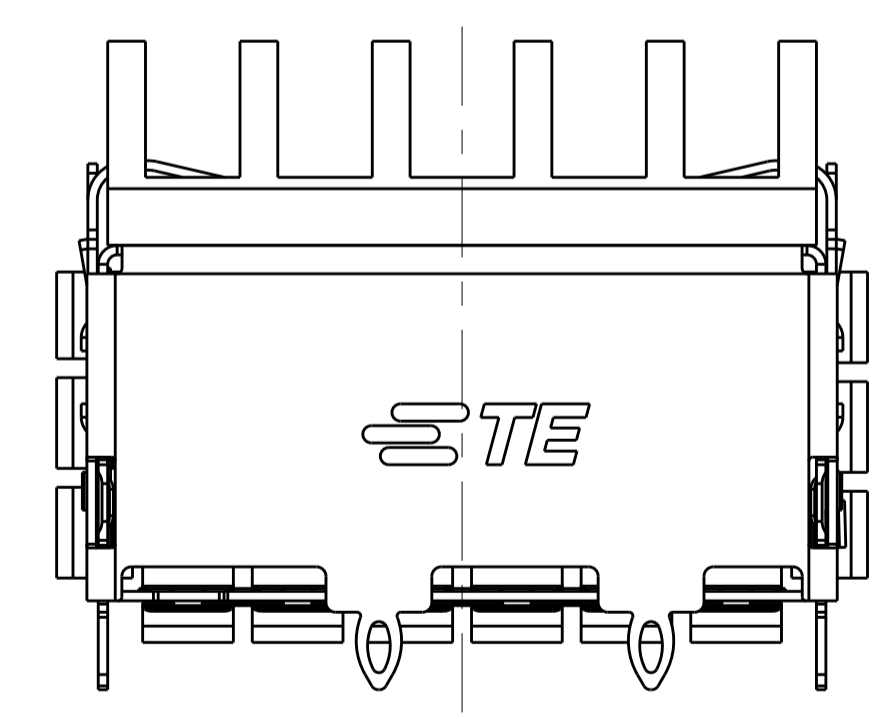


SAN HEAT SINK
SCALE 3:1

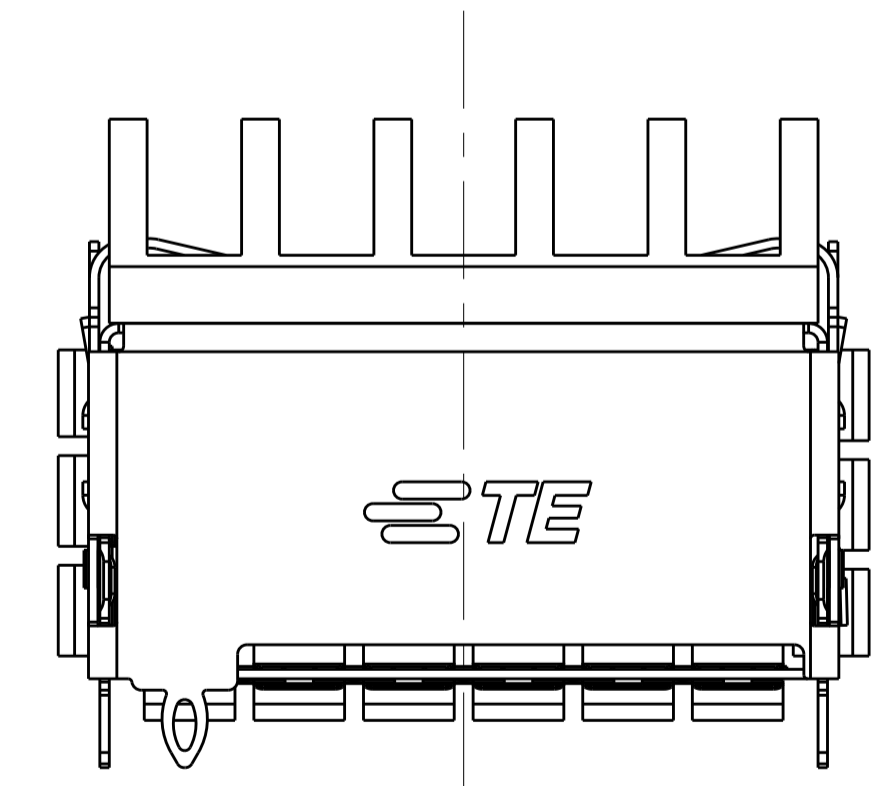


NETWORKING HEAT SINK
SCALE 3:1

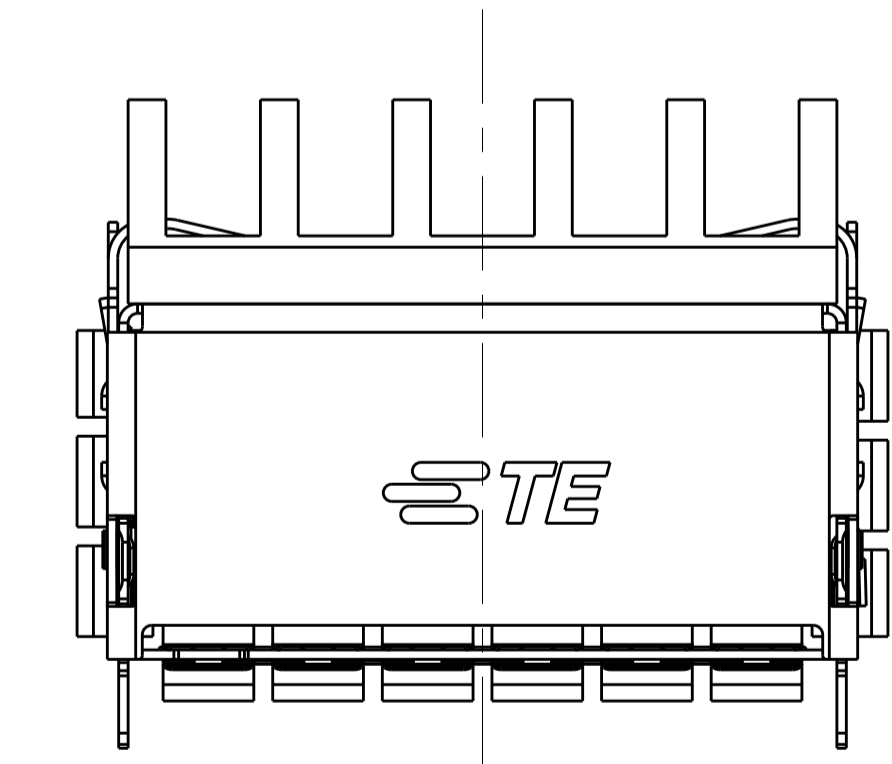
OF REAR LEGS OPTIONS



2 REAR LEGS
SCALE 5:1



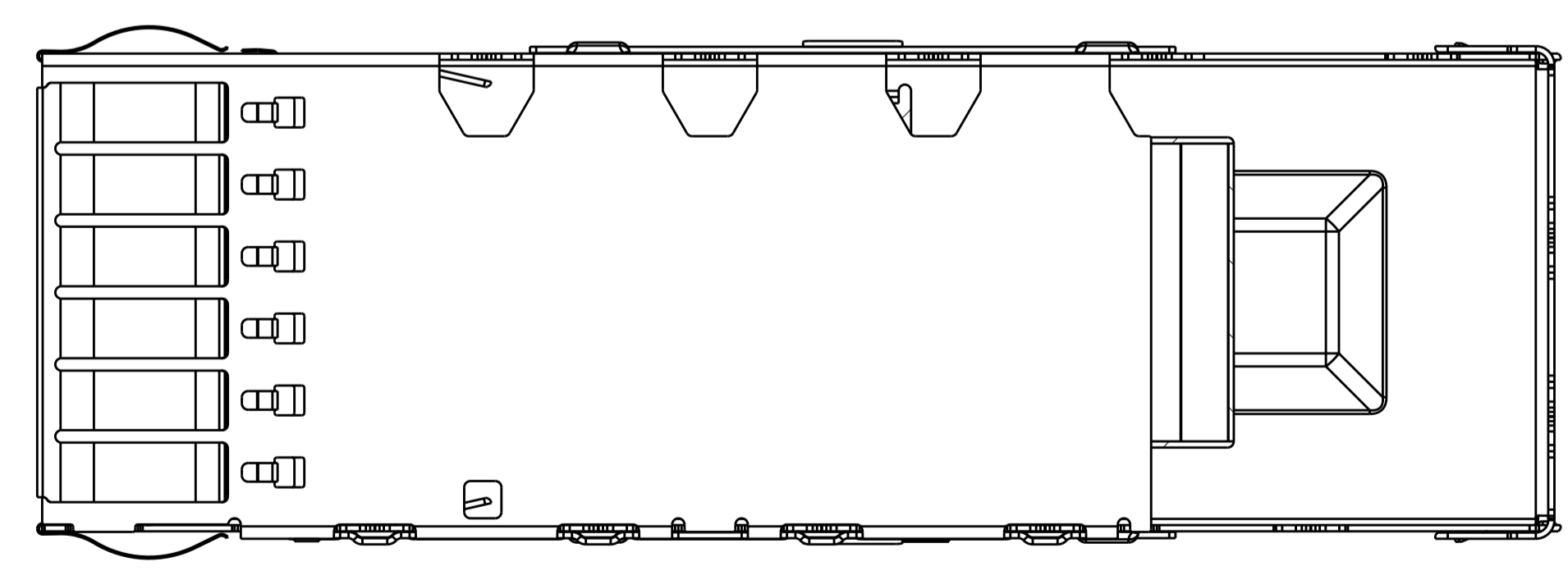
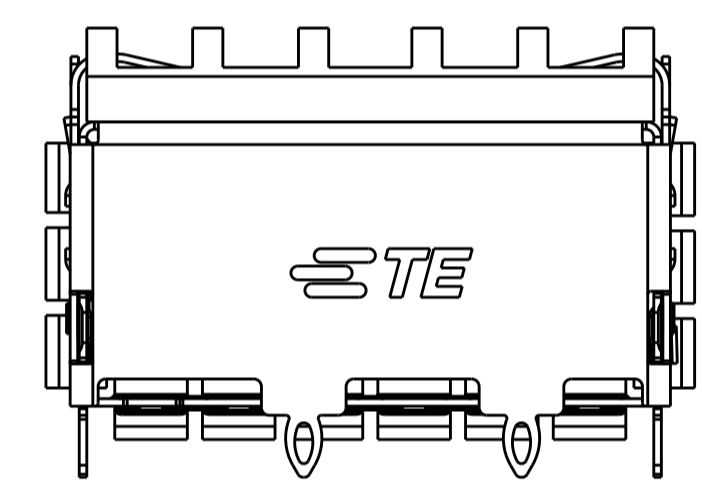
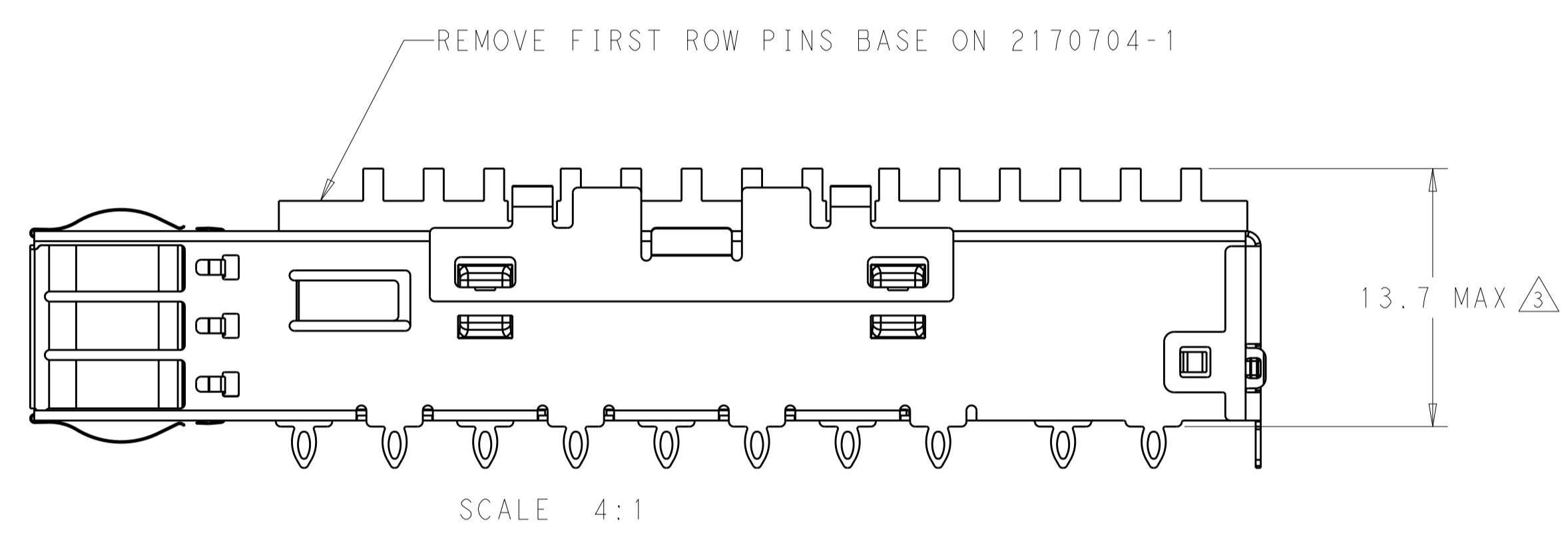
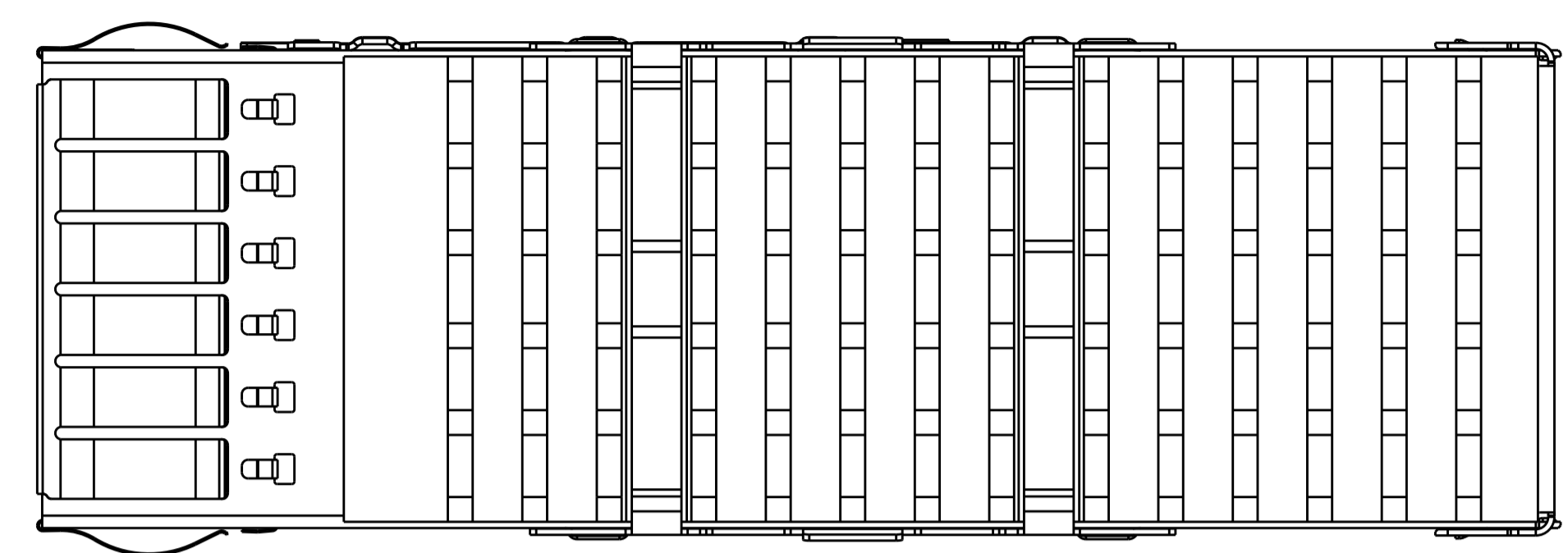
1 REAR LEG
SCALE 5:1



0 REAR LEG
SCALE 5:1

THIS DRAWING IS A CONTROLLED DOCUMENT.		OWN: JASON YANG 23SEP2013	TE Connectivity
		CHK: SEAN HAN 23SEP2013	
DIMENSIONS:		NAME: CAGE ASSEMBLY, QSFP28, THRU BEZEL WITH EMI SPRING FINGER HEAT SINK	
TOLERANCES UNLESS OTHERWISE SPECIFIED:		PRODUCT SPEC: 108-19428	
mm		APPLICATION SPEC: 114-32023	
0 PLC ±0.25 1 PLC ±0.25 2 PLC ±0.20 3 PLC ±0.100 4 PLC ±" ANGLES ±" FINISH ±"		SIZE: A100779	DRAWING NO: C=2170704
MATERIAL:		WEIGHT:	RESTRICTED TO:
		CUSTOMER DRAWING	SCALE: 2:1 SHEET 2 OF 7 REV: B2

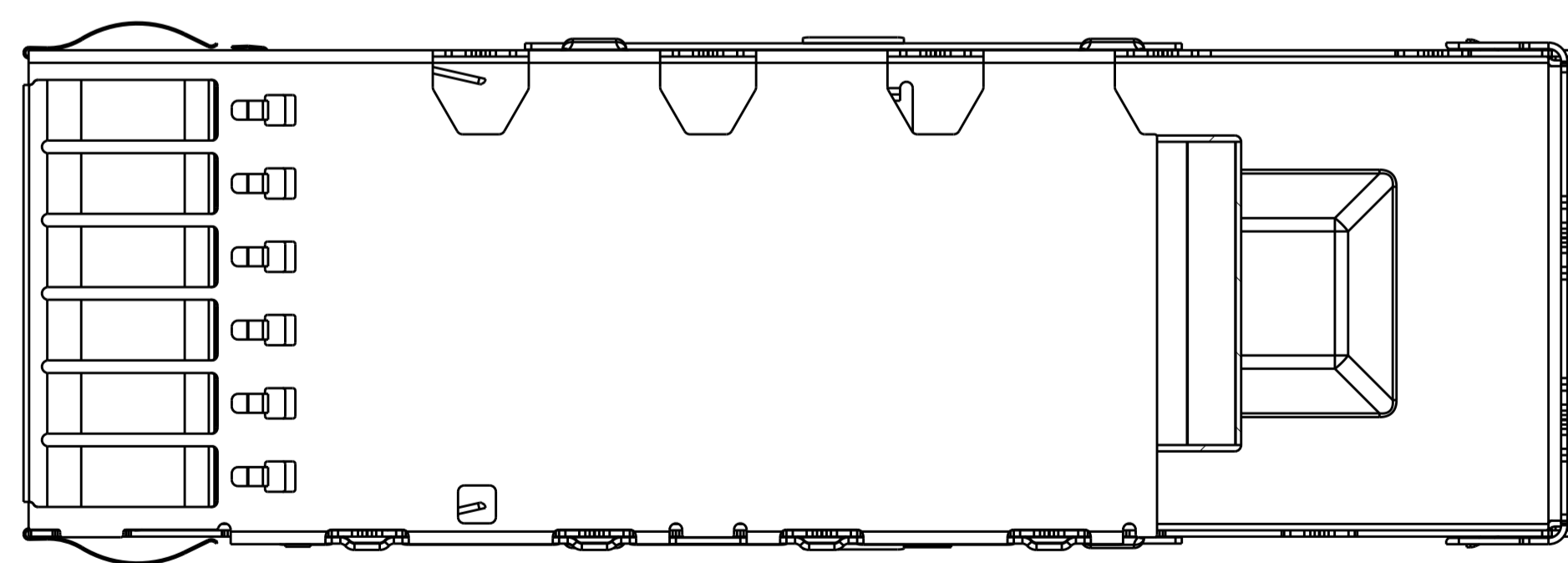
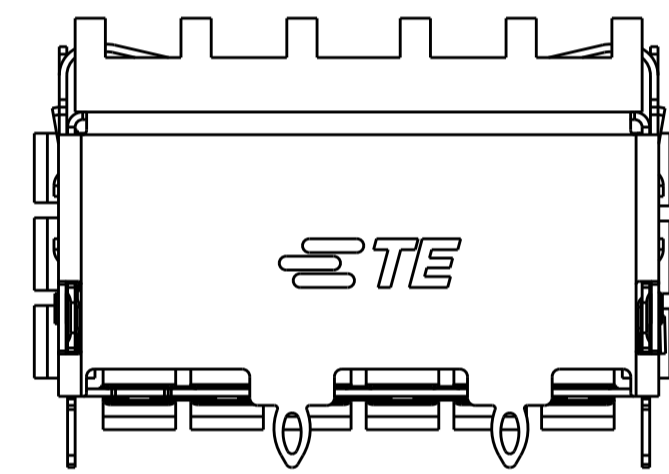
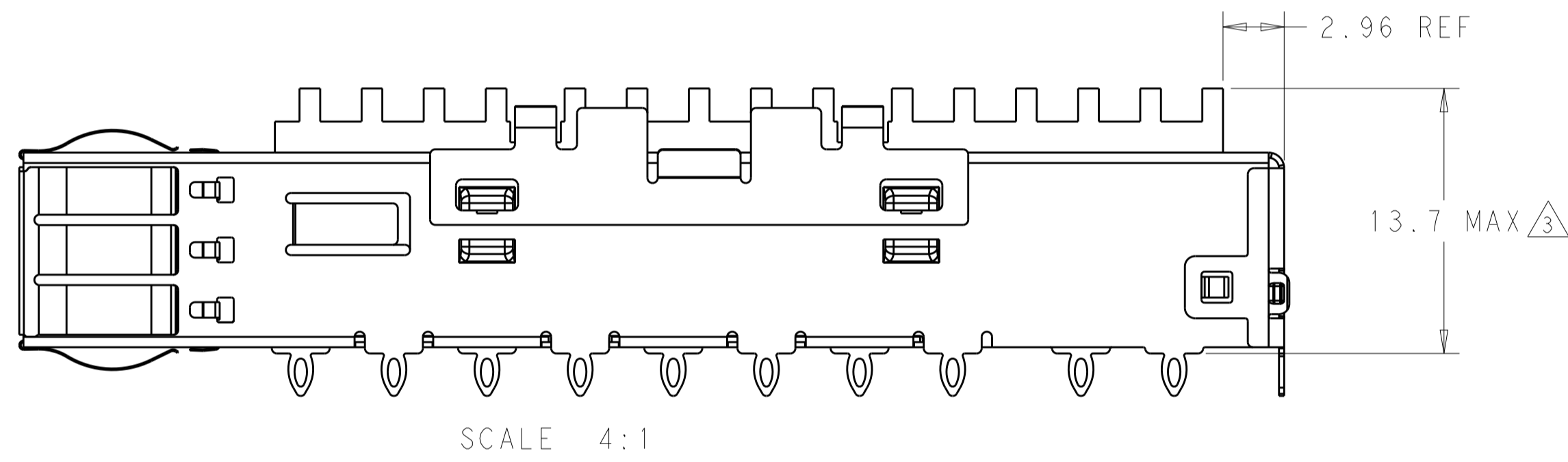
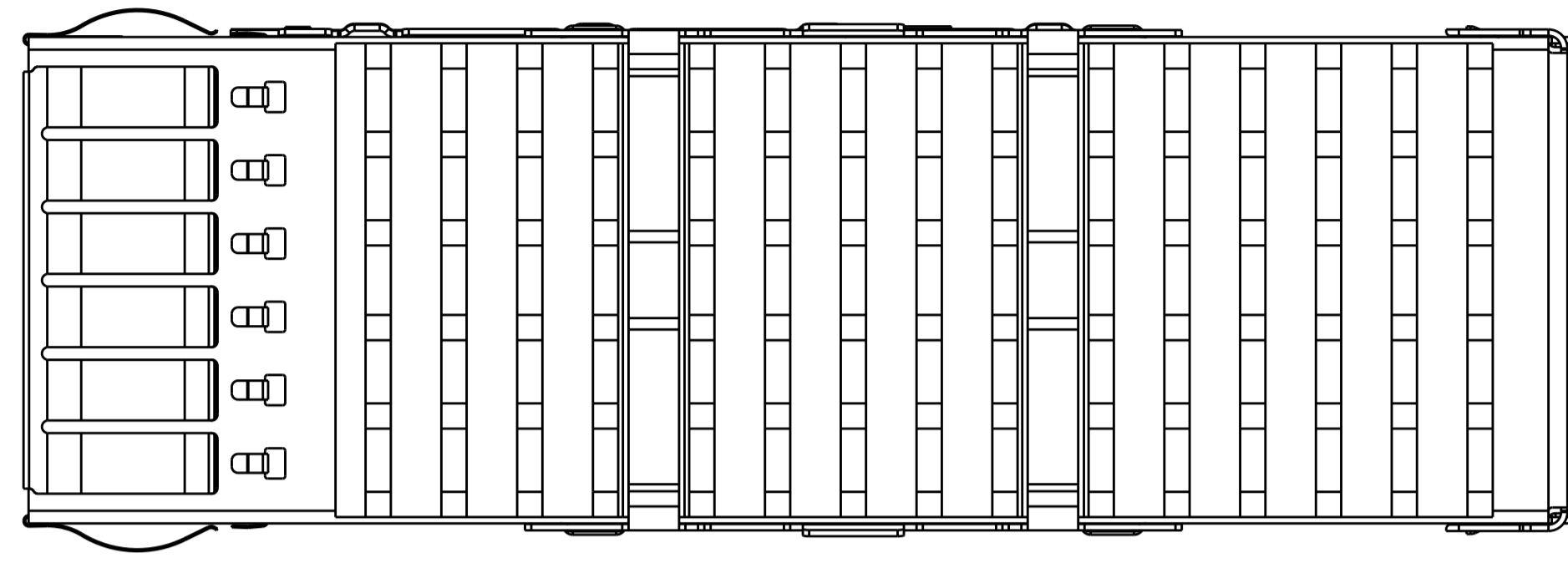
LOC		DIST		REVISIONS			
P.	LTN	DESCRIPTION	DATE	DWN	APVD		
-	-	SEE SHEET 1	-	-	-		



1-2170704-2 ARE AS SHOWN

THIS DRAWING IS A CONTROLLED DOCUMENT.		DWN: JASON YANG 23SEP2013	TE Connectivity
		CHK: SEAN HAN 23SEP2013	
DIMENSIONS:		APVD:	
mm	0 PLC ±0.25 1 PLC ±0.25 2 PLC ±0.25 3 PLC ±0.100 4 PLC ± ANGLES ±°	PRODUCT SPEC: 108-19428	NAME: CAGE ASSEMBLY, QSFP28, THRU BEZEL WITH EMI SPRING FINGER HEAT SINK
MATERIAL:		APPLICATION SPEC: 114-32023	RESTRICTED TO:
FINISH:		WEIGHT:	SIZE: A100779
		CUSTOMER DRAWING	DRAWING NO: C=2170704
		SCALE: 2:1	SHEET 3 OF 7
			REV: B2

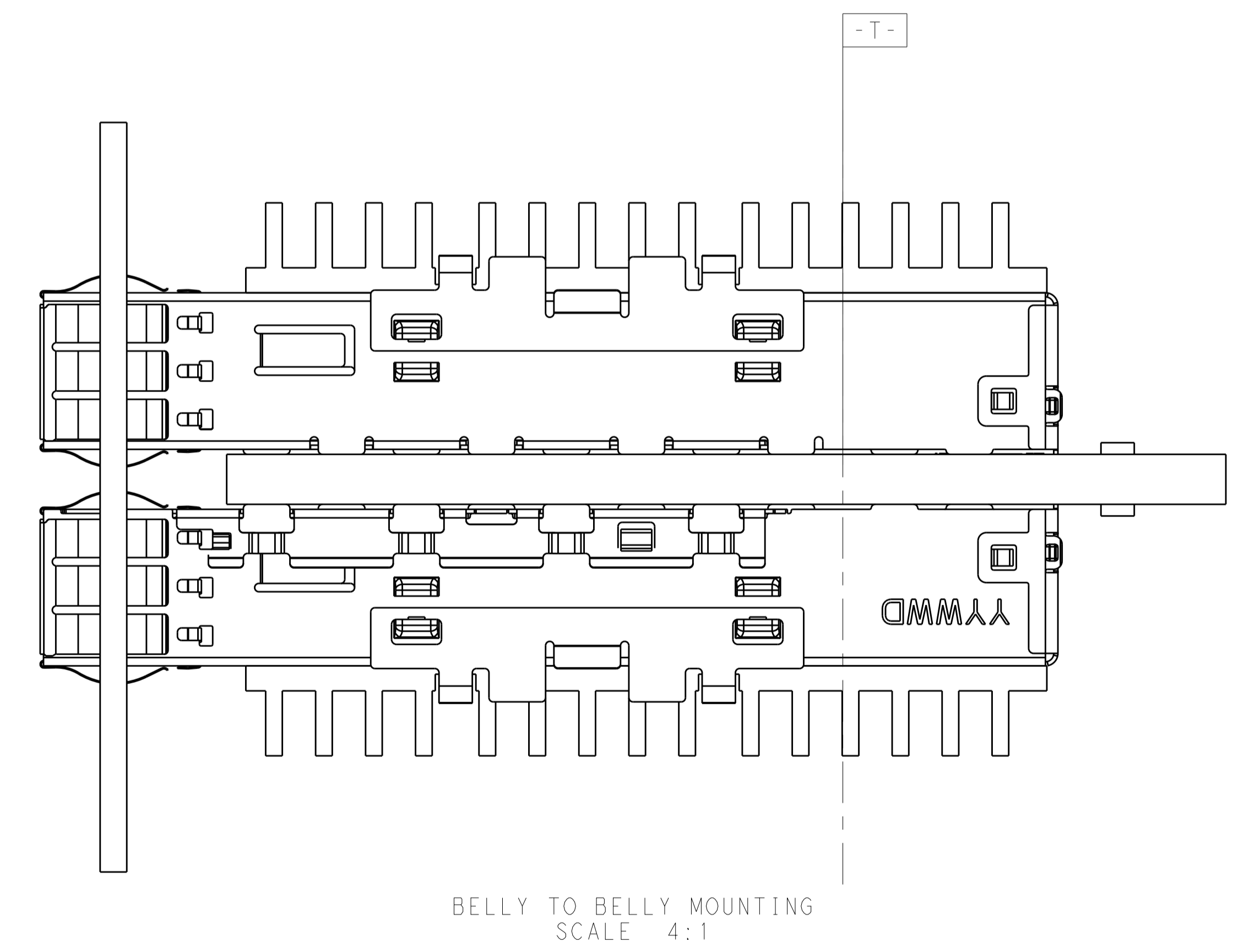
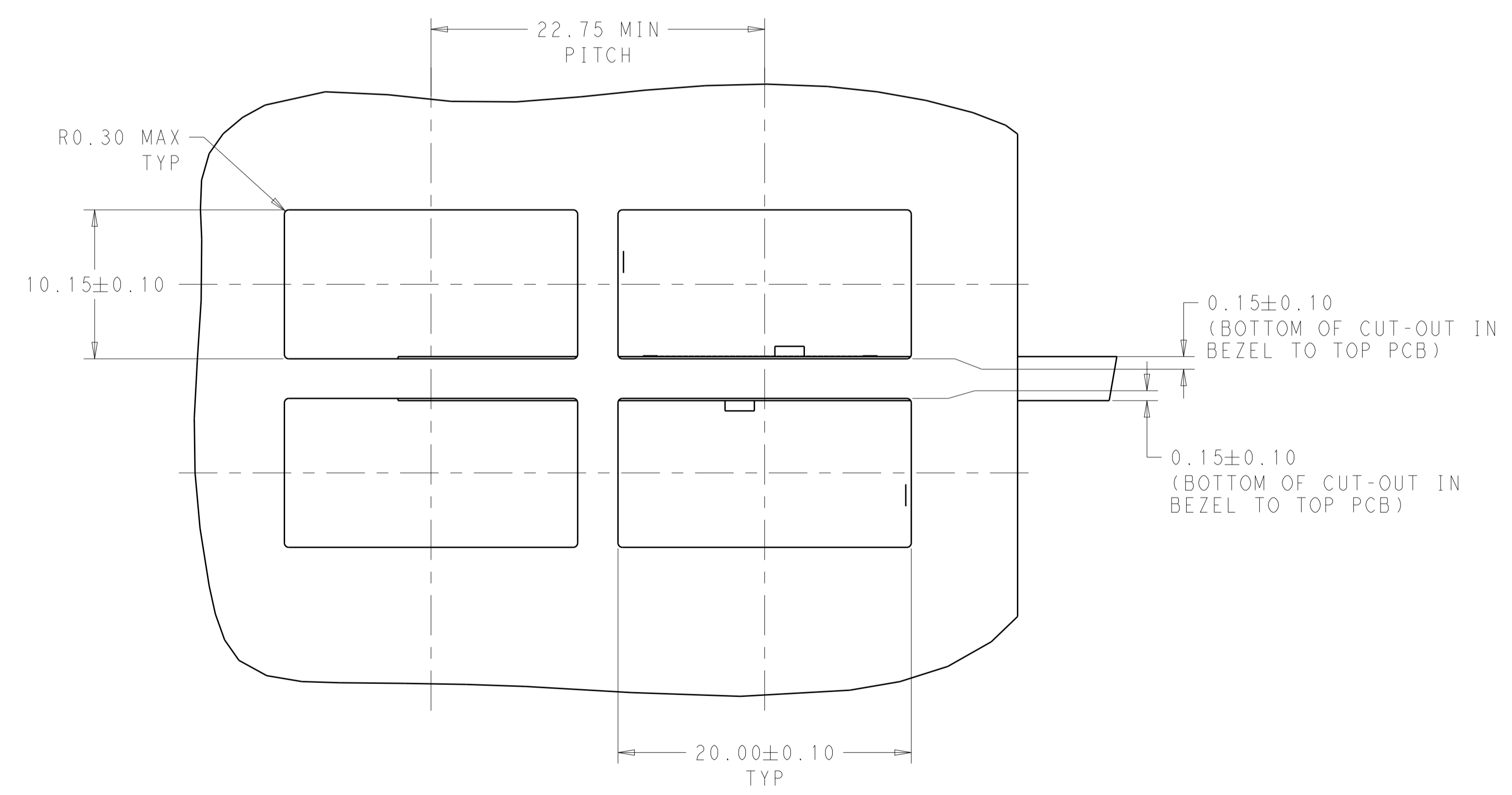
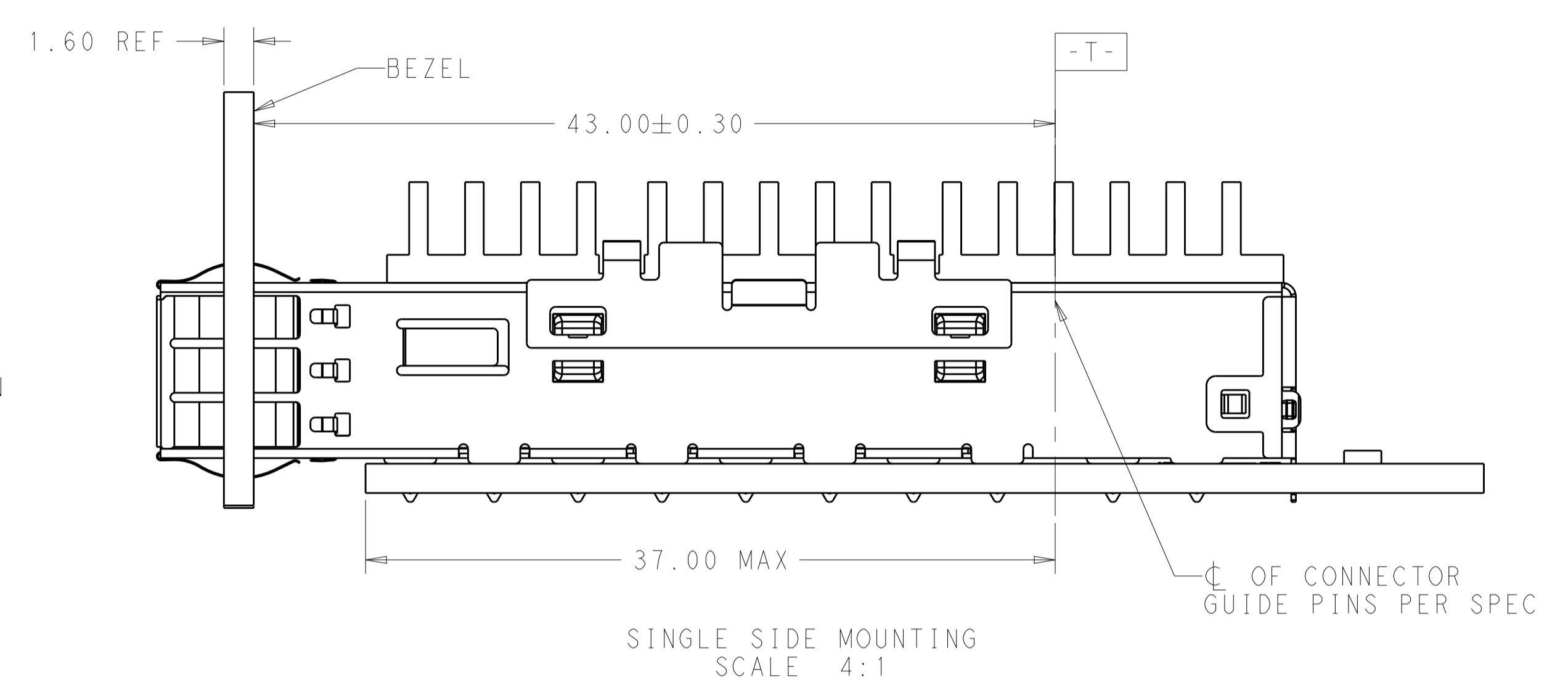
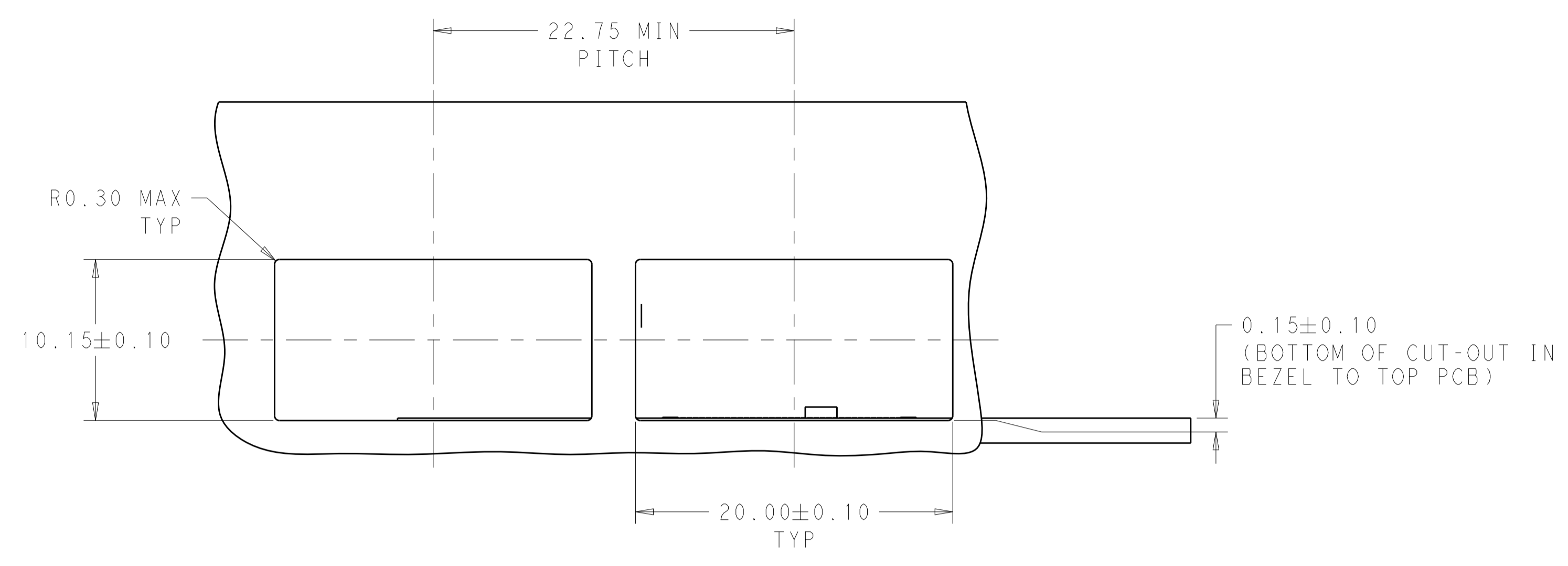
LOC		DIST		REVISIONS			
P.	LTN	DESCRIPTION	DATE	DWN	APVD		
-	-	SEE SHEET 1	-	-	-		



1-2170704-3 ARE AS SHOWN

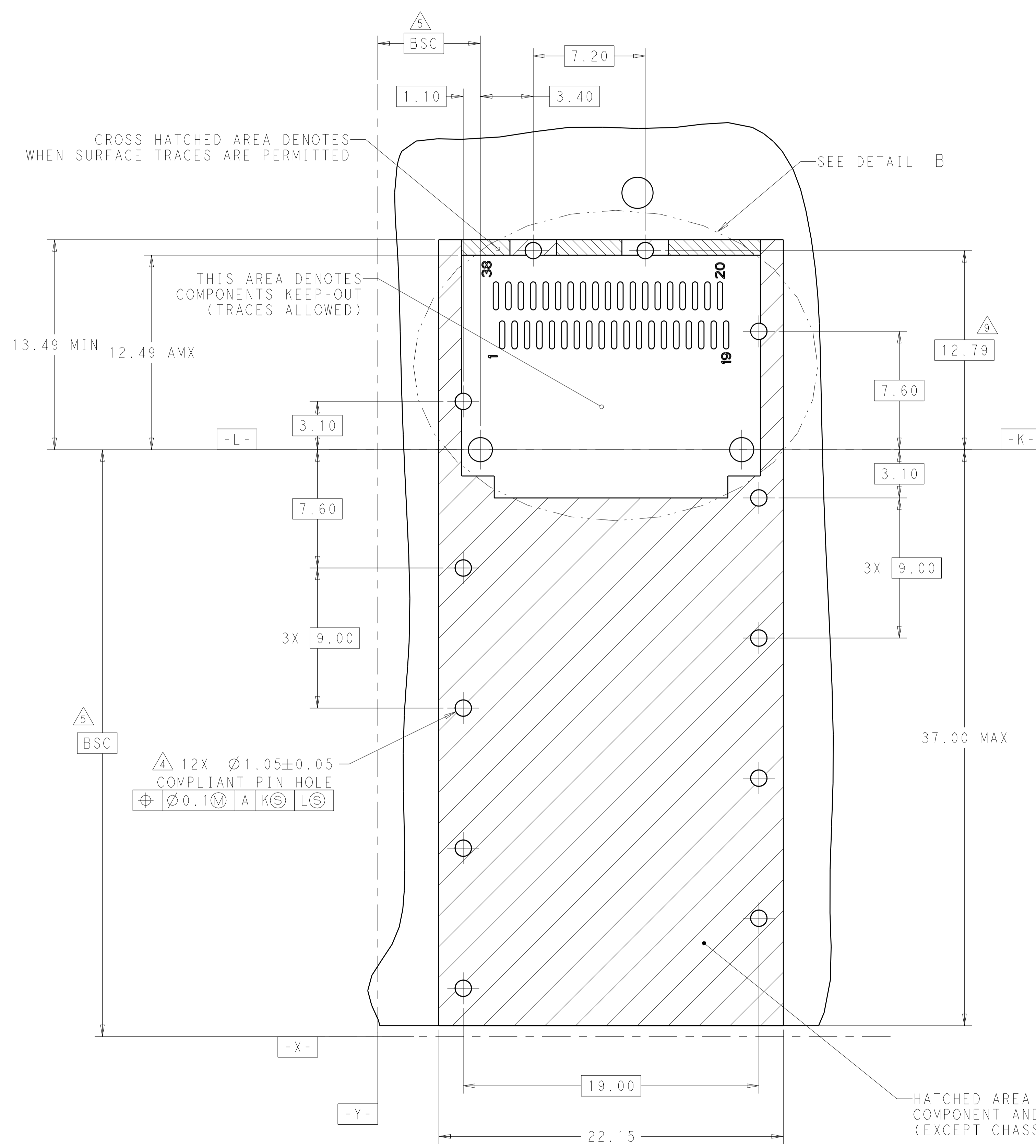
THIS DRAWING IS A CONTROLLED DOCUMENT.		DWN: JASON YANG 23SEP2013	TE Connectivity
		CHK: SEAN HAN 23SEP2013	
DIMENSIONS:		NAME: CAGE ASSEMBLY, QSFP28, THRU BEZEL WITH EMI SPRING FINGER HEAT SINK	
mm	0 PLC ±0.25 1 PLC ±0.25 2 PLC ±0.25 3 PLC ±0.25 4 PLC ±0.100 ANGLES ±°	PRODUCT SPEC: 108-19428 APPLICATION SPEC: 114-32023	RESTRICTED TO: -
MATERIAL: -	FINISH: -	WEIGHT: -	SIZE: A100779C=2170704
CUSTOMER DRAWING		SCALE: 2:1	SHEET 4 OF 7 REV: B2

LOC	DIST	REV	DATE	BY	APPD
		1			
		2			

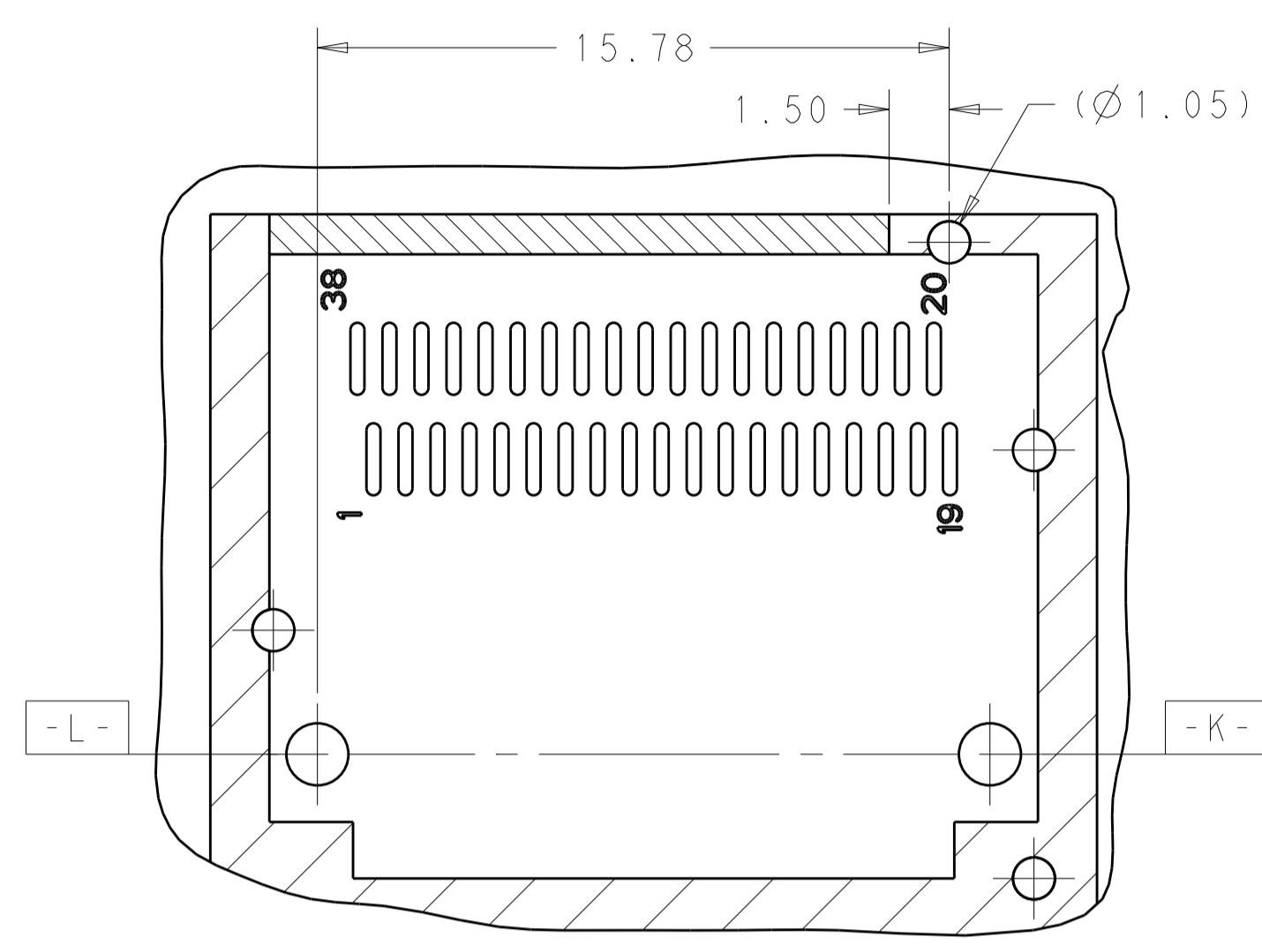


THIS DRAWING IS A CONTROLLED DOCUMENT.		DWN: JASON YANG 23SEP2013	TE Connectivity
DIMENSIONS: mm		CHK: SEAN HAN 23SEP2013	
TOLERANCES UNLESS OTHERWISE SPECIFIED:		APVD:	NAME: CAGE ASSEMBLY, QSFP28, THRU BEZEL WITH EMI SPRING FINGER HEAT SINK
0 PLC	±0.25	PRODUCT SPEC	108-19428
1 PLC	±0.25	APPLICATION SPEC	114-32023
2 PLC	±0.20	SIZE	A100779
3 PLC	±0.100	WEIGHT	C=2170704
4 PLC	±	CUSTOMER DRAWING	SCALE 2:1 SHEET 5 OF 7 REV B2
ANGLES	±		
FINISH			

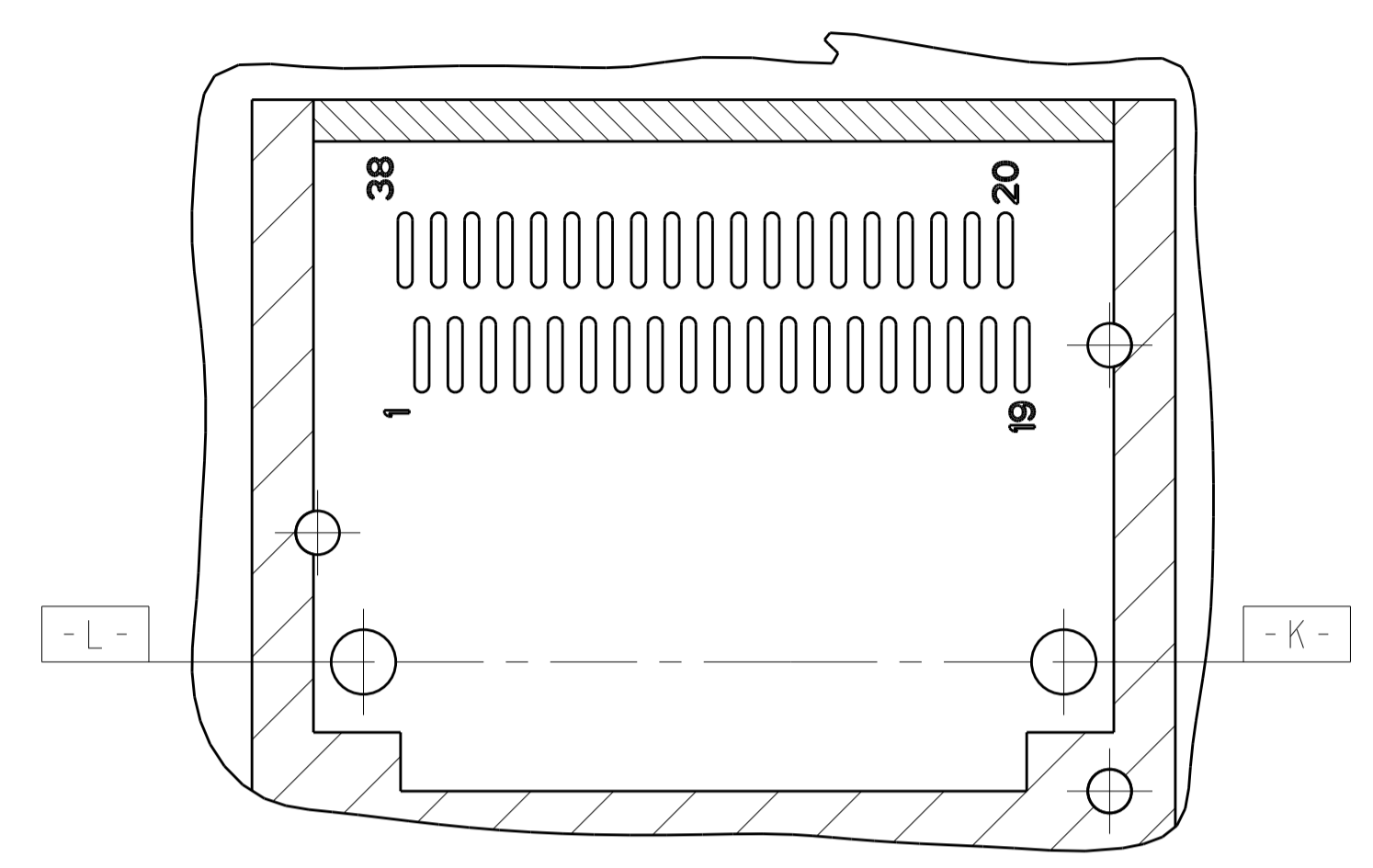
LOC	DIST	REVISIONS	DATE	DWN	APVD
		DESCRIPTION			
		SEE SHEET 1			



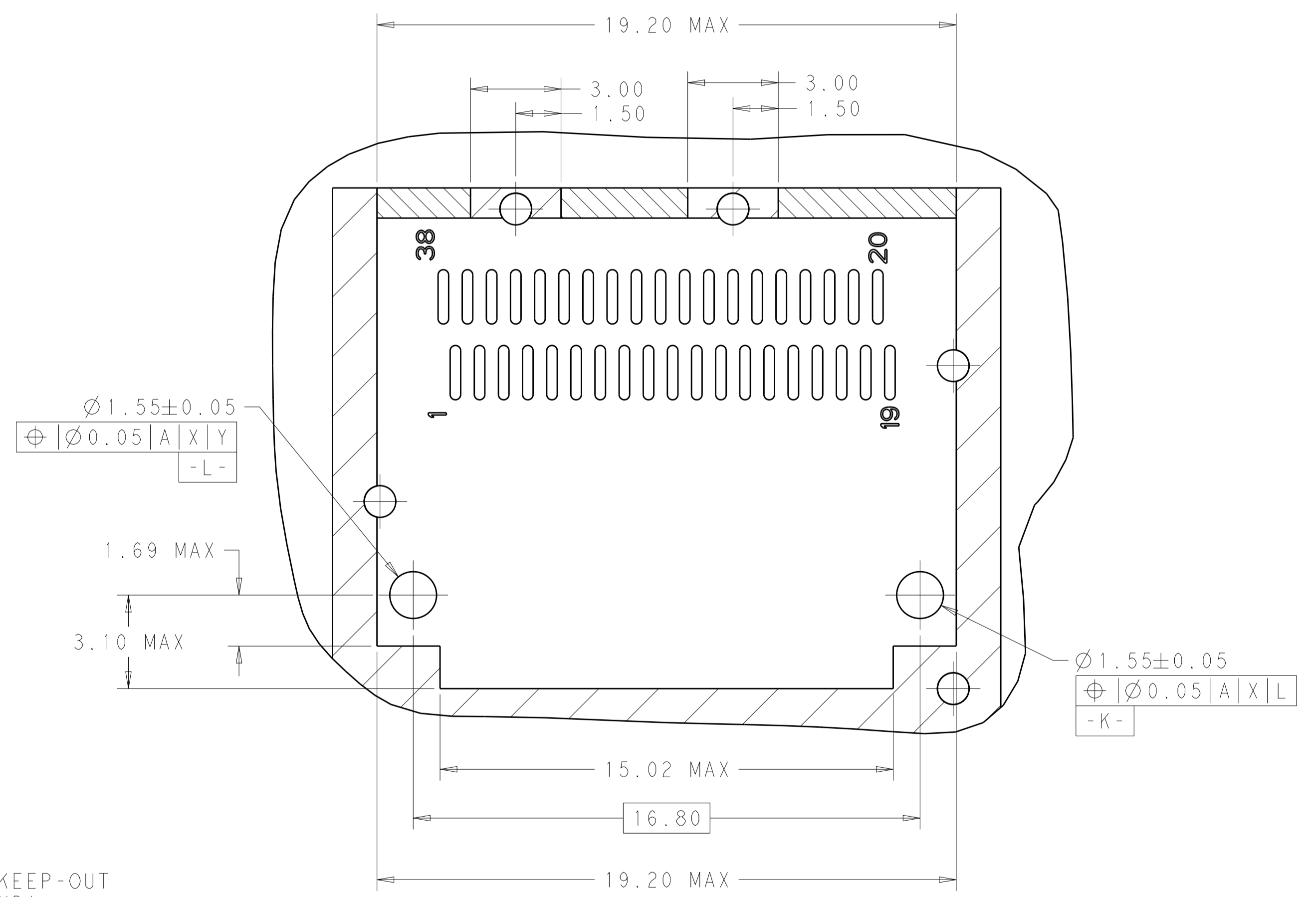
RECOMMENDED PCB LAYOUT
 SINGLE TYPE OF 2 REAR HOLES OF LEGS
 PCB TOLERANCE: ± 0.05
 SCALE 6:1



RECOMMENDED PCB LAYOUT
 SINGLE TYPE OF 1 REAR HOLES OF LEGS
 PCB TOLERANCE: ± 0.05
 SCALE 6:1



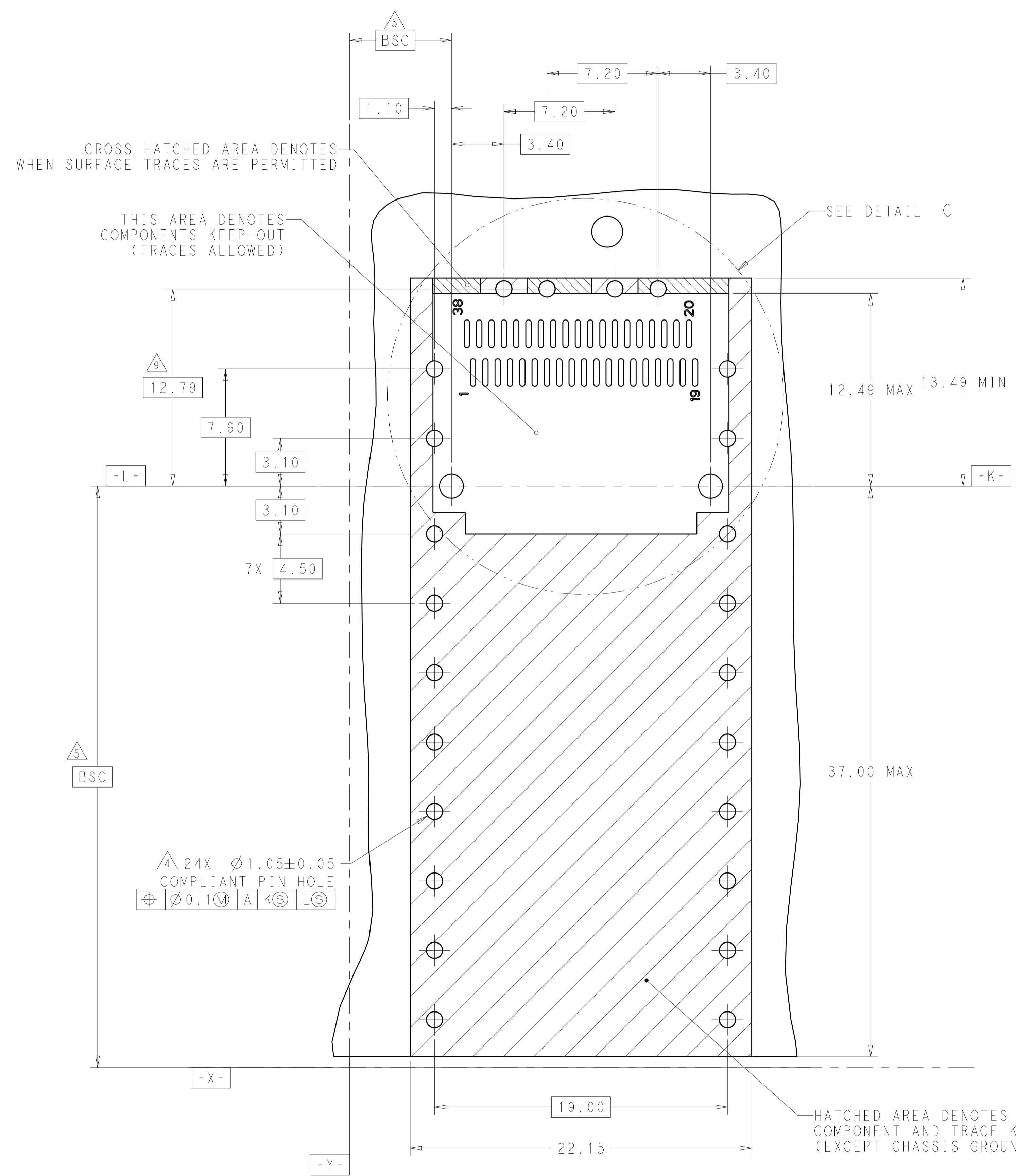
RECOMMENDED PCB LAYOUT
 SINGLE TYPE OF 0 REAR HOLES OF LEGS
 PCB TOLERANCE: ± 0.05
 SCALE 6:1



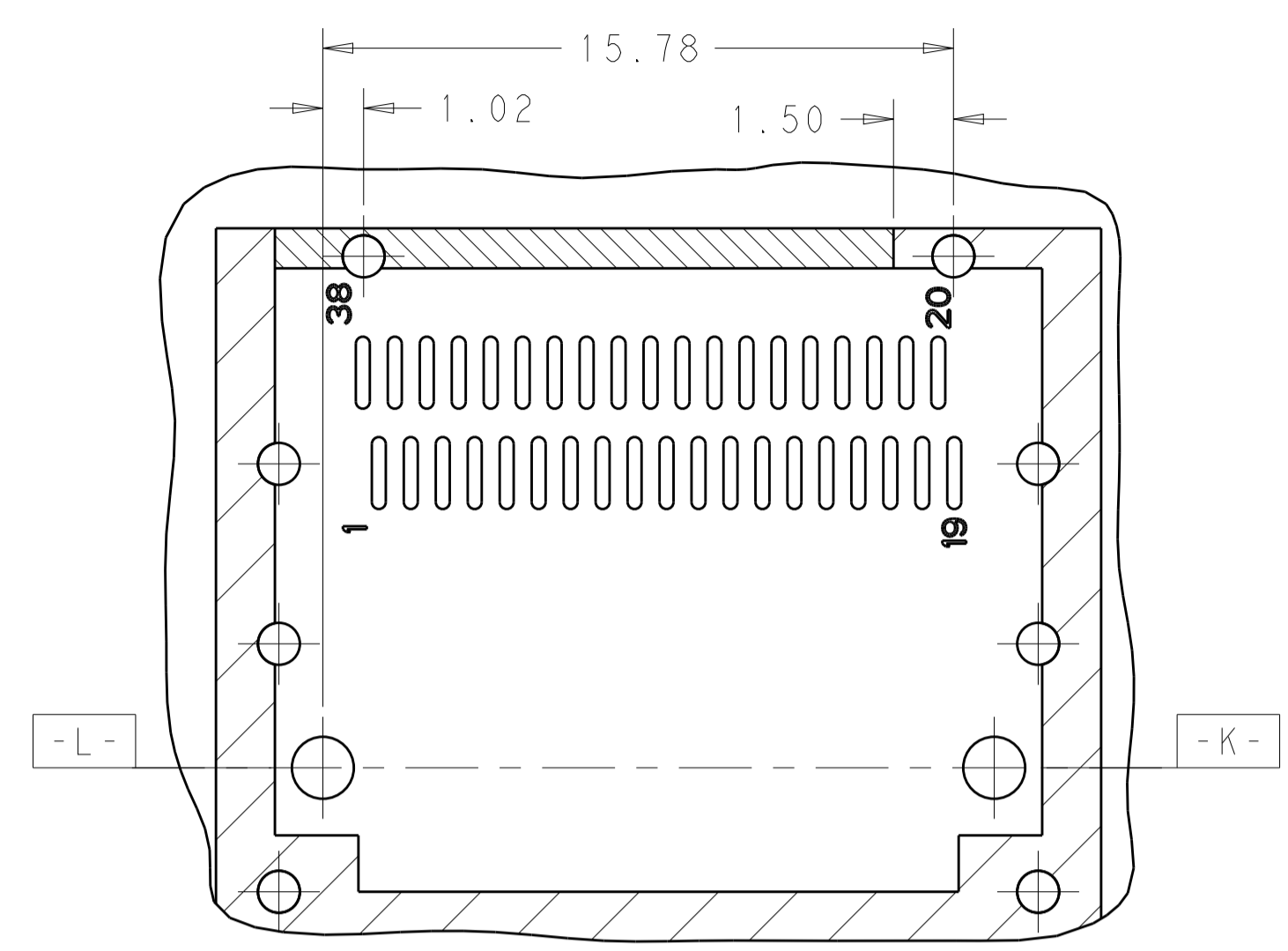
DETAIL B
 SCALE 8:1

THIS DRAWING IS A CONTROLLED DOCUMENT.		DWN: JASON YANG 23SEP2013	TE Connectivity
DIMENSIONS: mm		CHK: SEAN HAN 23SEP2013	
TOLERANCES UNLESS OTHERWISE SPECIFIED:		APVD:	NAME: CAGE ASSEMBLY, QSPF28, THRU BEZEL WITH EMI SPRING FINGER HEAT SINK
0 PLC ± 0.25	1 PLC ± 0.25	PRODUCT SPEC: 108-19428	SIZE: A1
2 PLC ± 0.20	3 PLC ± 0.100	APPLICATION SPEC: 114-32023	CAGE CODE: 2170704
4 PLC \pm	ANGLES \pm	WEIGHT:	RESTRICTED TO:
MATERIAL:	FINISH:	CUSTOMER DRAWING:	SCALE: 2:1 SHEET 6 OF 7 REV: B2

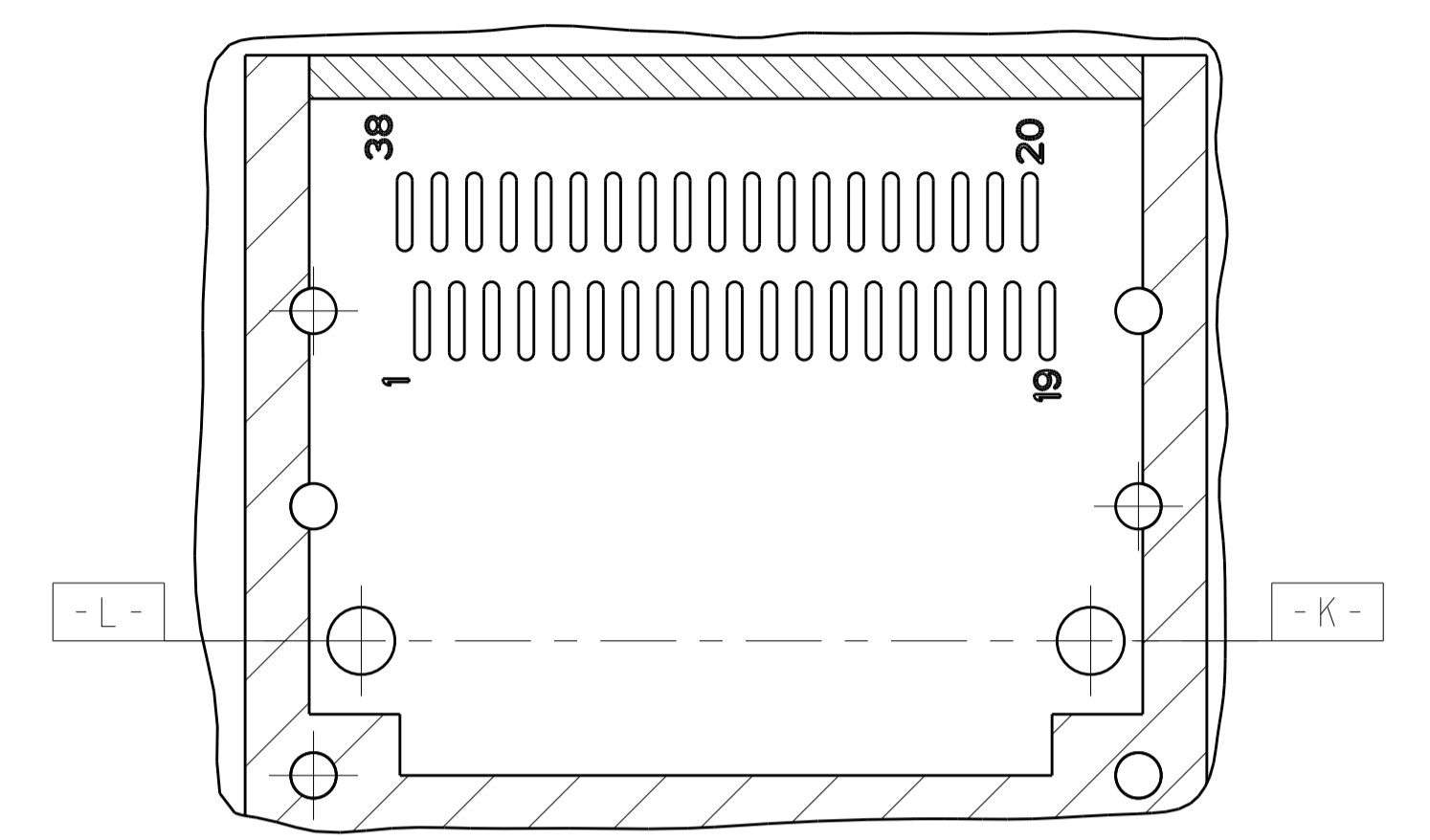
LOC	DIST	REVISIONS	DATE	DWN	APVD
		SEE SHEET 1			



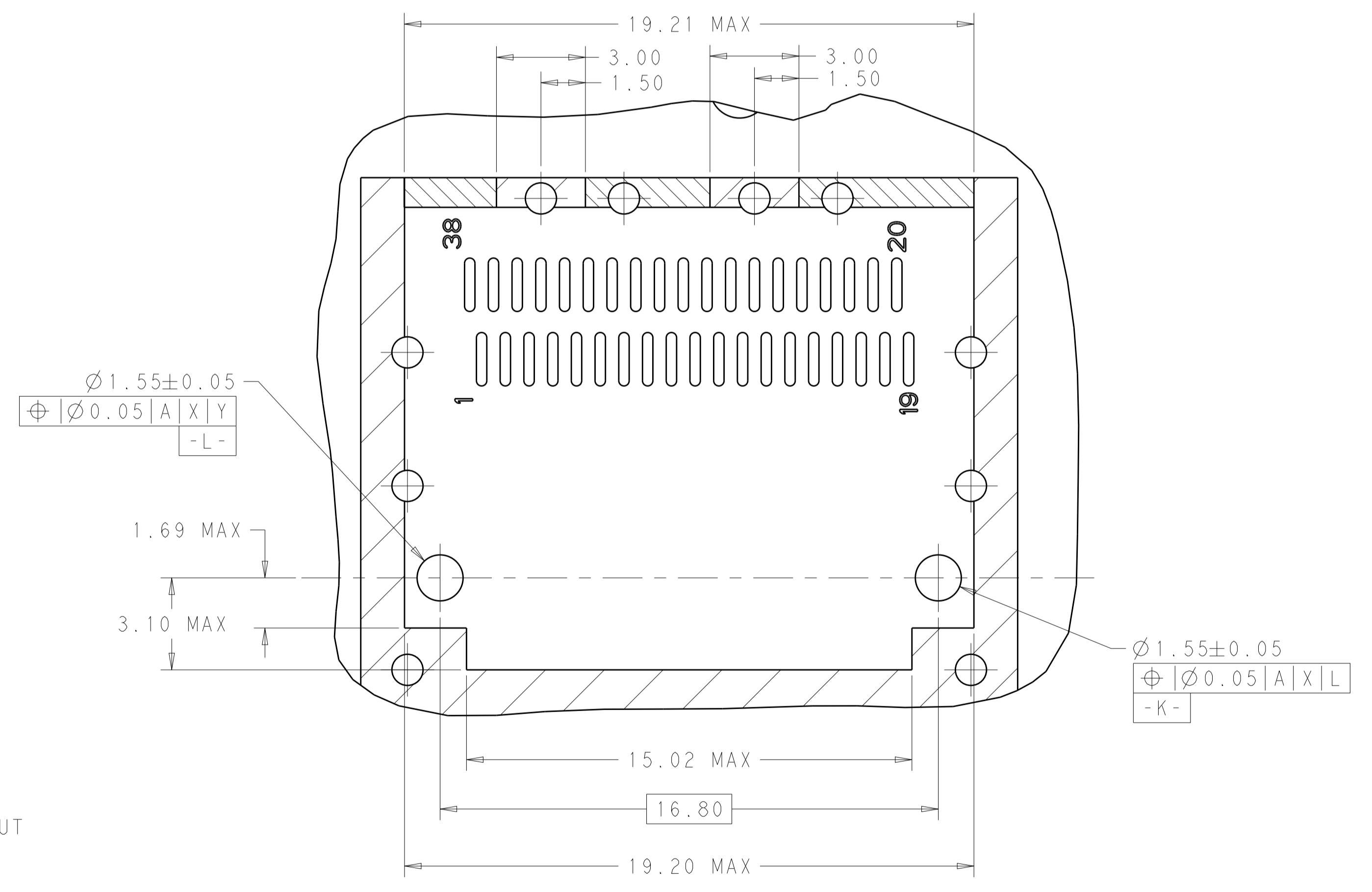
RECOMMENDED PCB LAYOUT
BELLY TO BELLY TYPE OF 2 REAR HOLES OF LEGS
PCB TOLERANCE: ±0.05
SCALE 6:1



RECOMMENDED PCB LAYOUT
BELLY TO BELLY TYPE OF 1 REAR HOLES OF LEGS
PCB TOLERANCE: ±0.05
SCALE 6:1



RECOMMENDED PCB LAYOUT
BELLY TO BELLY TYPE OF 0 REAR HOLES OF LEGS
PCB TOLERANCE: ±0.05
SCALE 6:1



DETAIL C
SCALE 8:1

THIS DRAWING IS A CONTROLLED DOCUMENT.		DWN: JASON YANG 23SEP2013	TE Connectivity
DIMENSIONS: mm		CHK: SEAN HAN 23SEP2013	
TOLERANCES UNLESS OTHERWISE SPECIFIED:		APVD:	NAME: CAGE ASSEMBLY, QSFP28, THRU BEZEL WITH EMI SPRING FINGER HEAT SINK
0 PLC	±0.25	PRODUCT SPEC	108-19428
1 PLC	±0.25	APPLICATION SPEC	114-32023
2 PLC	±0.20	SIZE	A100779C=2170704
3 PLC	±0.100	WEIGHT	
4 PLC	±	CUSTOMER DRAWING	
ANGLES	±	SCALE	2:1
FINISH		SHEET	7 of 7
		REV	B2