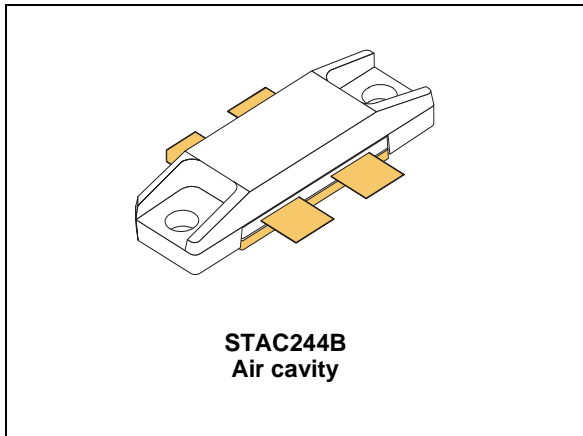
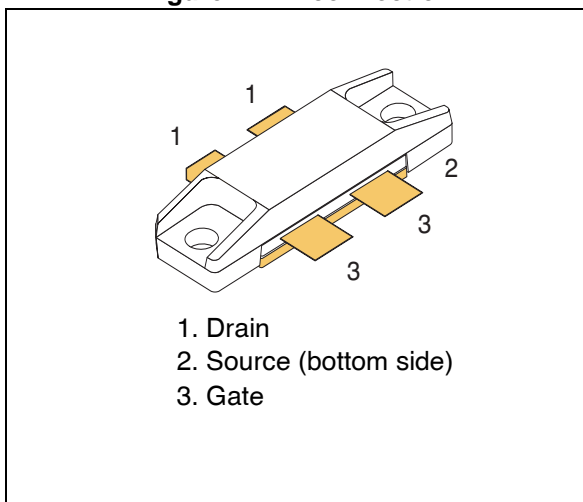


## HF/VHF/UHF RF power N-channel MOSFET

Datasheet - production data



**Figure 1. Pin connection**



### Features

- Excellent thermal stability
- Common source push-pull configuration
- $P_{OUT} = 1000\text{ W min. (1200 W typ.)}$  with 26 dB gain @ 123 MHz
- Pulse conditions: 1 msec - 10%
- In compliance with the 2002/95/EC European directive
- ST air-cavity STAC<sup>®</sup> packaging technology

### Description

The STAC4932B is an N-channel MOS field-effect RF power transistor. It is intended for 100 V pulse applications up to 250 MHz. This device is suitable for use in industrial, scientific and medical applications. The STAC4932B benefits from the latest generation of efficient, patent-pending STAC<sup>®</sup> package technology.

**Table 1. Device summary**

Order code	Marking	Package	Packaging
STAC4932B	STAC4932 <sup>(1)</sup>	STAC244B	Plastic tray

1. For more details please refer to [Chapter 6: Marking, packing and shipping specifications](#).

# Contents

<b>1</b>	<b>Electrical data</b> .....	<b>3</b>
	1.1 Maximum ratings .....	3
	1.2 Thermal data .....	3
<b>2</b>	<b>Electrical characteristics</b> .....	<b>4</b>
	2.1 Static .....	4
	2.2 Dynamic .....	4
<b>3</b>	<b>Impedance</b> .....	<b>5</b>
<b>4</b>	<b>Typical performance</b> .....	<b>6</b>
<b>5</b>	<b>Package mechanical data</b> .....	<b>9</b>
<b>6</b>	<b>Marking, packing and shipping specifications</b> .....	<b>11</b>
<b>7</b>	<b>Revision history</b> .....	<b>12</b>

# 1 Electrical data

## 1.1 Maximum ratings

Table 2. Absolute maximum ratings ( $T_{CASE} = 25\text{ °C}$ )

Symbol	Parameter	Value	Unit
$V_{(BR)DSS}^{(1)}$	Drain source voltage	200	V
$V_{DGR}$	Drain-gate voltage ( $R_{GS} = 1\text{ M}\Omega$ )	200	V
$V_{GS}$	Gate-source voltage	$\pm 20$	V
$T_J$	Max. operating junction temperature	200	$^{\circ}\text{C}$
$T_{STG}$	Storage temperature	-65 to +150	$^{\circ}\text{C}$

1.  $T_J = 150\text{ °C}$

## 1.2 Thermal data

Table 3. Thermal data (1 msec - 10%)

Symbol	Parameter	Value	Unit
$R_{thJC}$	Junction - case thermal resistance	0.075	$^{\circ}\text{C/W}$

## 2 Electrical characteristics

$T_{CASE} = +25\text{ }^{\circ}\text{C}$

### 2.1 Static

Table 4. Static (per side)

Symbol	Test conditions		Min.	Typ.	Max.	Unit
$V_{(BR)DSS}^{(1)}$	$V_{GS} = 0\text{ V}$	$I_{DS} = 100\text{ mA}$	200	250		V
$I_{DSS}$	$V_{GS} = 0\text{ V}$	$V_{DS} = 100\text{ V}$			1	mA
$I_{GSS}$	$V_{GS} = 20\text{ V}$	$V_{DS} = 0\text{ V}$			250	nA
$V_{TH}$	$I_D = 250\text{ mA}$		2.0		4.0	V
$V_{DS(ON)}$	$V_{GS} = 10\text{ V}$	$I_D = 10\text{ A}$			3.6	V
$G_{FS}$	$V_{DS} = 10\text{ V}$	$I_D = 2.5\text{ A}$		6		S
$C_{ISS}$	$V_{GS} = 0\text{ V}$	$V_{DS} = 100\text{ V}$		570		pF
$C_{OSS}$	$V_{GS} = 0\text{ V}$	$V_{DS} = 100\text{ V}$		134		pF
$C_{RSS}$	$V_{GS} = 0\text{ V}$	$V_{DS} = 100\text{ V}$		8		pF

1.  $T_J = 150\text{ }^{\circ}\text{C}$

### 2.2 Dynamic

Table 5. Pulse / 1 msec - 10%

Symbol	Test conditions	Min.	Typ.	Max.	Unit
$P_{OUT}$	$V_{DD} = 100\text{ V}$ , $I_{DQ} = 2 \times 250\text{ mA}$ , $f = 123\text{ MHz}$	1000	1200	-	W
$h_D$	$V_{DD} = 100\text{ V}$ , $I_{DQ} = 2 \times 250\text{ mA}$ , $P_{OUT} = 1000\text{ W}$ , $f = 123\text{ MHz}$		60	-	%
Gain	$V_{DD} = 100\text{ V}$ , $I_{DQ} = 2 \times 250\text{ mA}$ , $P_{OUT} = 1000\text{ W}$ , $f = 123\text{ MHz}$		26	-	dB

### 3 Impedance

Figure 2. Current conventions

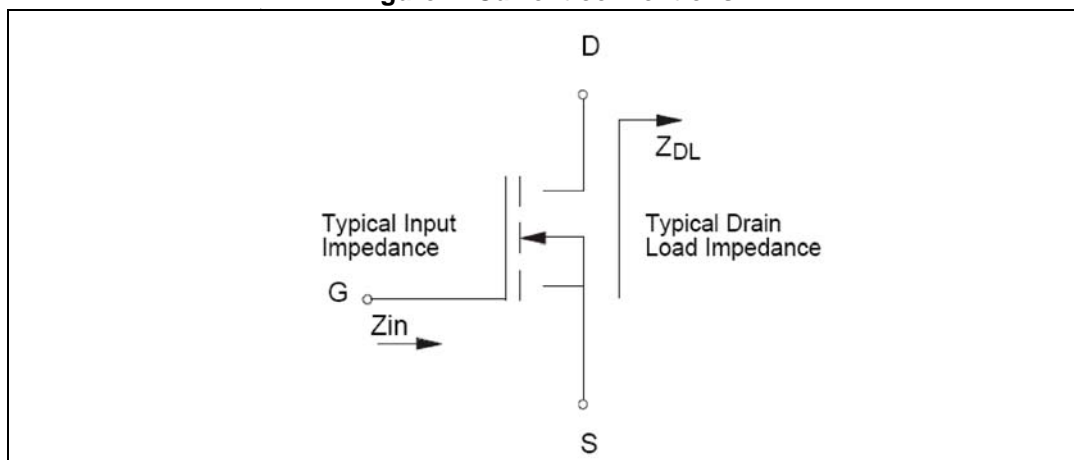


Table 6. Impedance data

Freq. (MHz)	Z <sub>IN</sub> (Ω)	Z <sub>DL</sub> (Ω)
123 MHz (pulsed)	1.3 - j 2.8	7.7 - j 9.4

Note: Measured gate-to-gate and drain-to-drain, respectively.

# 4 Typical performance

Figure 3. Maximum safe operating area

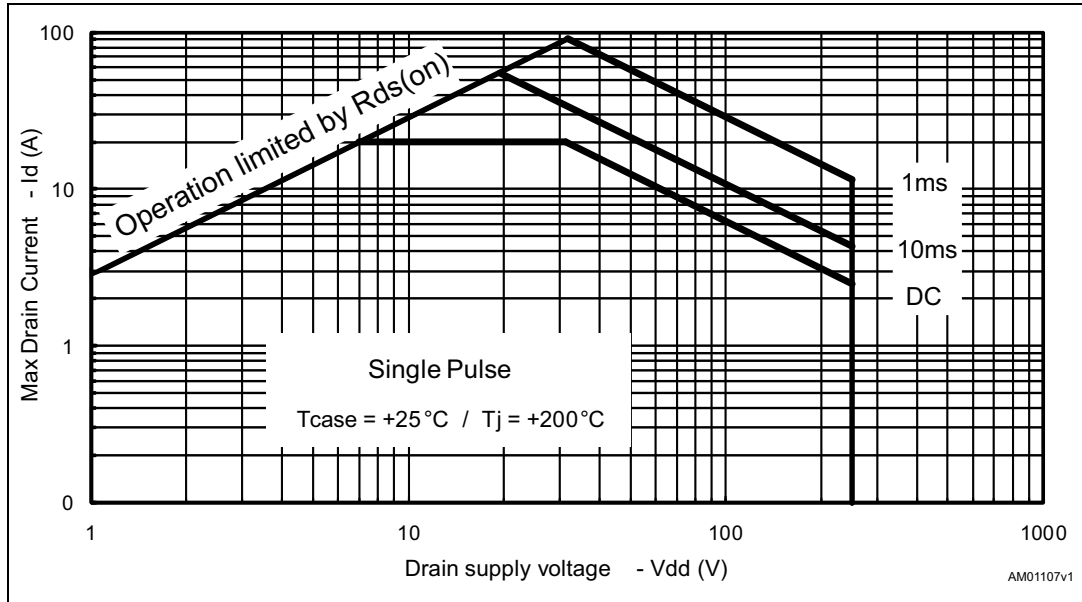


Figure 4. Transient thermal impedance

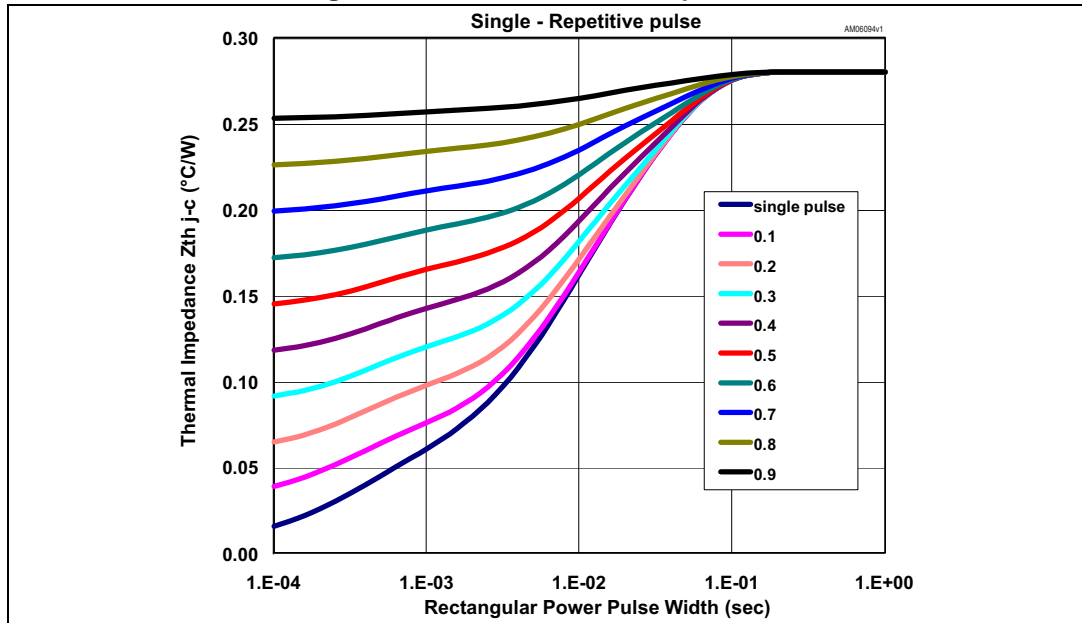


Figure 5. Transient thermal model

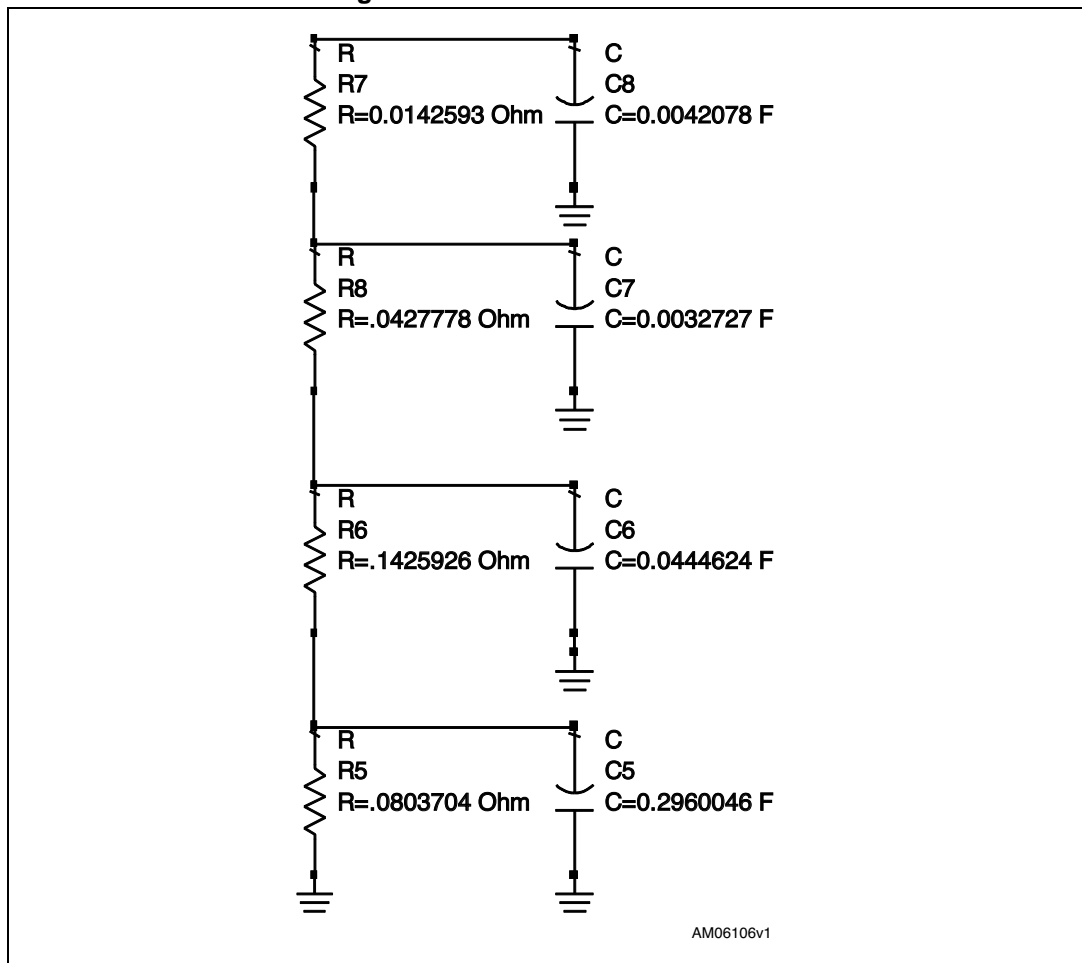


Figure 6. Power gain vs. output power

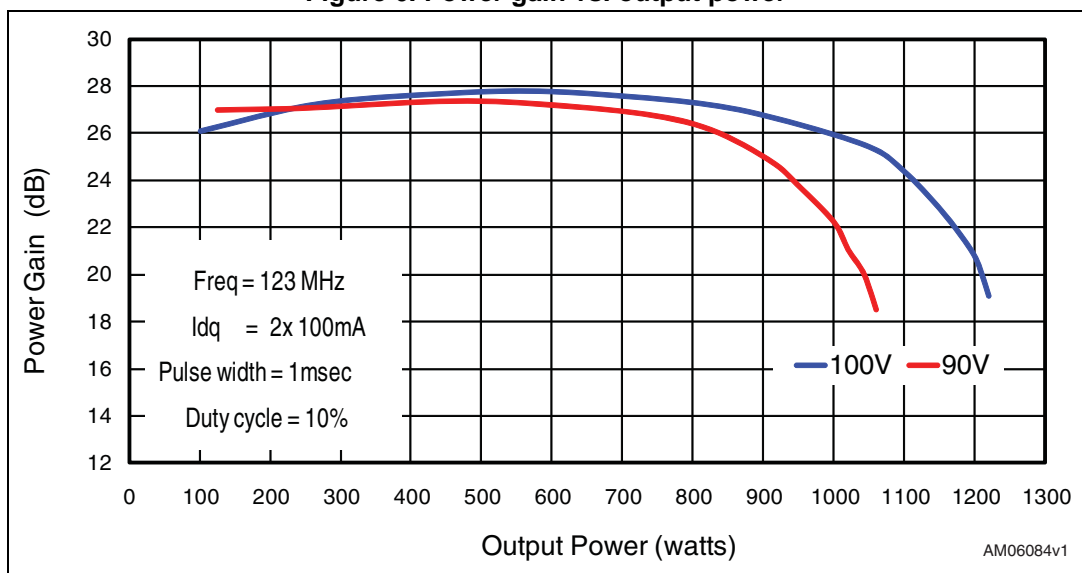
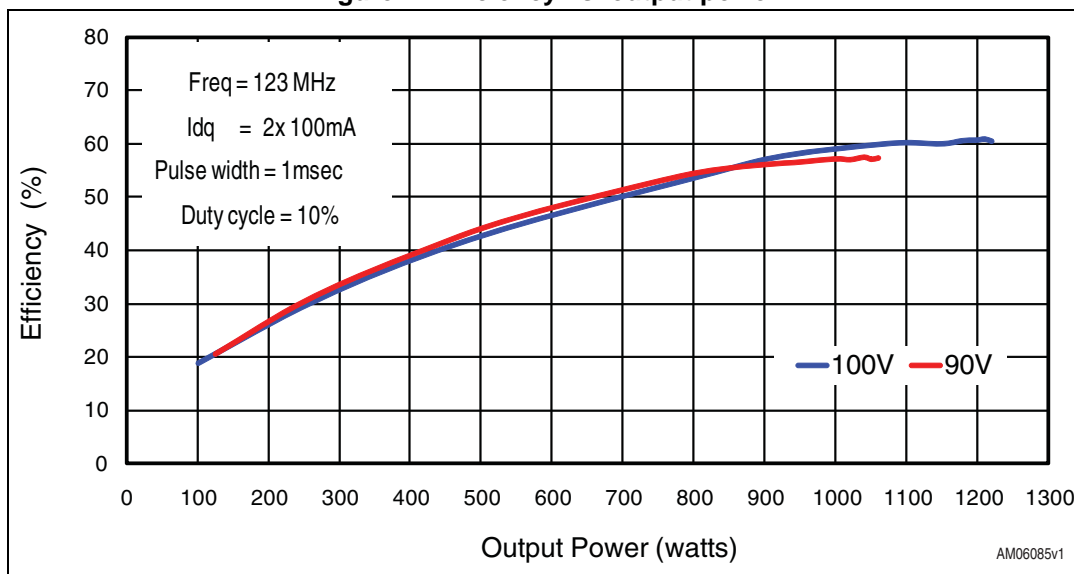


Figure 7. Efficiency vs. output power





## 5 Package mechanical data

In order to meet environmental requirements, ST offers these devices in different grades of ECOPACK® packages, depending on their level of environmental compliance. ECOPACK® specifications, grade definitions and product status are available at: [www.st.com](http://www.st.com). ECOPACK is an ST trademark.

Figure 8. Package dimensions

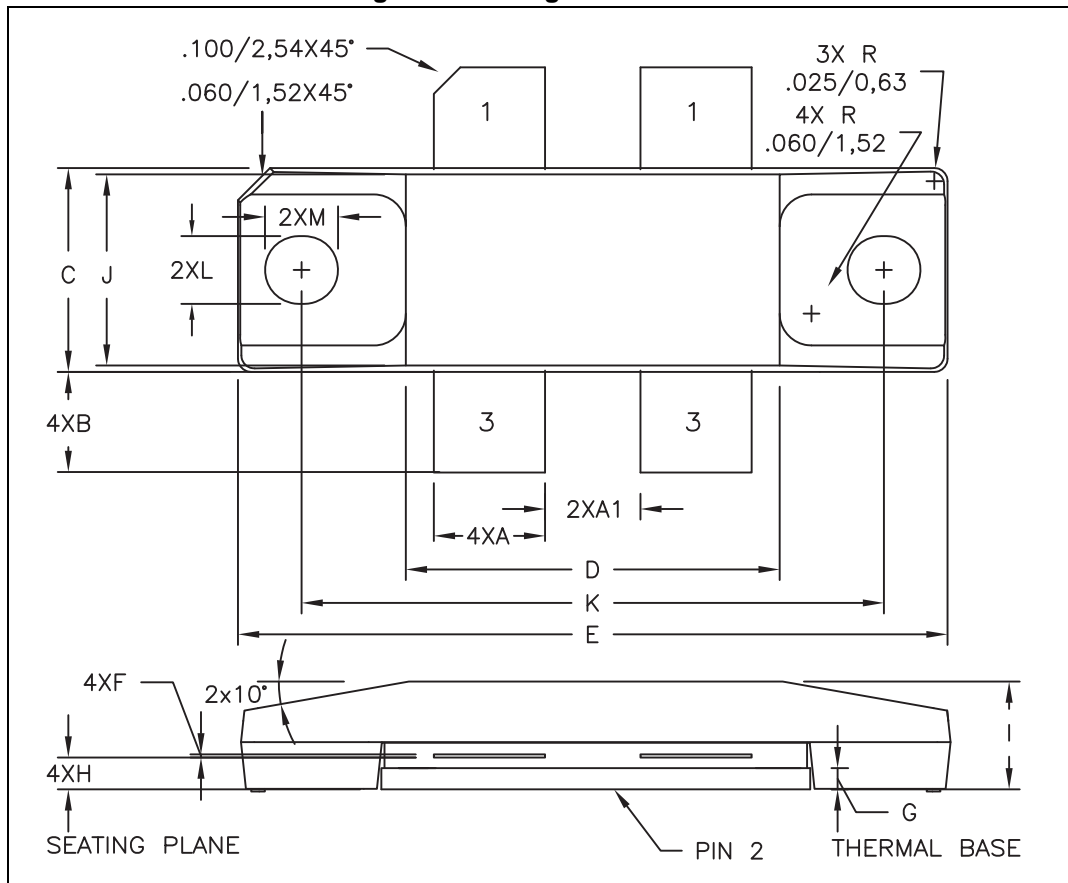


Table 7. STAC244B mechanical data

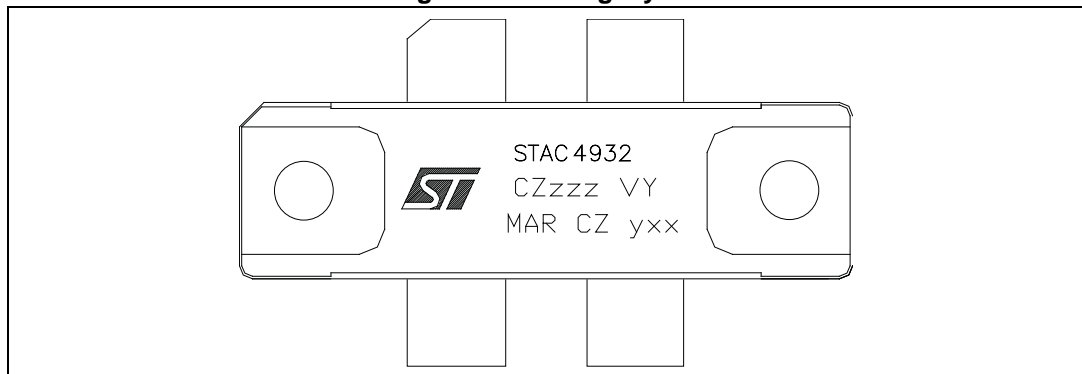
Dim.	mm		
	Min.	Typ.	Max.
A	5.08		5.59
A1	4.32		4.83
B	4.32		5.33
C	9.65		9.91
D	17.78		18.08
E	33.88		34.19
F	0.10		0.15
G		1.02	
H	1.45		1.70
I	4.83		5.33
J	9.27		9.52
K	27.69		28.19
L	3.12	3.23	3.33
M	3.35	3.45	3.56

## 6 Marking, packing and shipping specifications

**Table 8. Packing and shipping specifications**

Order code	Packaging	Pcs per tray	Dry pack humidity	Lot code
STAC4932B	Tray	20	< 10%	Not mixed

**Figure 9. Marking layout**



**Table 9. Marking specifications**

Symbol	Description
CZ	Assembly plant
zzz	Last 3 digits of diffusion lot
VY	Diffusion plant
MAR	Country of origin
CZ	Test and finishing plant
y	Assembly year
xx	Assembly week

## 7 Revision history

Table 10. Document revision history

Date	Revision	Changes
19-Feb-2010	1	First release.
26-May-2010	2	Document status promoted from preliminary data to datasheet.
03-Aug-2010	3	Updated description on cover page and <a href="#">Table 3</a> .
03-Sep-2010	4	Updated figures: <a href="#">3</a> , <a href="#">4</a> and <a href="#">5</a> .
12-Sep-2011	5	Inserted new <a href="#">Section 6: Marking, packing and shipping specifications</a> . Updated <a href="#">Table 6</a> . Minor text changes.
01-Jul-2013	6	Modified pin labeling in <a href="#">Figure 1: Pin connection</a> . Modified document title. Minor text corrections throughout document.
27-Jan-2014	7	Modified pin labeling in <a href="#">Figure 1: Pin connection</a> .

**Please Read Carefully:**

Information in this document is provided solely in connection with ST products. STMicroelectronics NV and its subsidiaries ("ST") reserve the right to make changes, corrections, modifications or improvements, to this document, and the products and services described herein at any time, without notice.

All ST products are sold pursuant to ST's terms and conditions of sale.

Purchasers are solely responsible for the choice, selection and use of the ST products and services described herein, and ST assumes no liability whatsoever relating to the choice, selection or use of the ST products and services described herein.

No license, express or implied, by estoppel or otherwise, to any intellectual property rights is granted under this document. If any part of this document refers to any third party products or services it shall not be deemed a license grant by ST for the use of such third party products or services, or any intellectual property contained therein or considered as a warranty covering the use in any manner whatsoever of such third party products or services or any intellectual property contained therein.

**UNLESS OTHERWISE SET FORTH IN ST'S TERMS AND CONDITIONS OF SALE ST DISCLAIMS ANY EXPRESS OR IMPLIED WARRANTY WITH RESPECT TO THE USE AND/OR SALE OF ST PRODUCTS INCLUDING WITHOUT LIMITATION IMPLIED WARRANTIES OF MERCHANTABILITY, FITNESS FOR A PARTICULAR PURPOSE (AND THEIR EQUIVALENTS UNDER THE LAWS OF ANY JURISDICTION), OR INFRINGEMENT OF ANY PATENT, COPYRIGHT OR OTHER INTELLECTUAL PROPERTY RIGHT.**

**ST PRODUCTS ARE NOT DESIGNED OR AUTHORIZED FOR USE IN: (A) SAFETY CRITICAL APPLICATIONS SUCH AS LIFE SUPPORTING, ACTIVE IMPLANTED DEVICES OR SYSTEMS WITH PRODUCT FUNCTIONAL SAFETY REQUIREMENTS; (B) AERONAUTIC APPLICATIONS; (C) AUTOMOTIVE APPLICATIONS OR ENVIRONMENTS, AND/OR (D) AEROSPACE APPLICATIONS OR ENVIRONMENTS. WHERE ST PRODUCTS ARE NOT DESIGNED FOR SUCH USE, THE PURCHASER SHALL USE PRODUCTS AT PURCHASER'S SOLE RISK, EVEN IF ST HAS BEEN INFORMED IN WRITING OF SUCH USAGE, UNLESS A PRODUCT IS EXPRESSLY DESIGNATED BY ST AS BEING INTENDED FOR "AUTOMOTIVE, AUTOMOTIVE SAFETY OR MEDICAL" INDUSTRY DOMAINS ACCORDING TO ST PRODUCT DESIGN SPECIFICATIONS. PRODUCTS FORMALLY ESCC, QML OR JAN QUALIFIED ARE DEEMED SUITABLE FOR USE IN AEROSPACE BY THE CORRESPONDING GOVERNMENTAL AGENCY.**

Resale of ST products with provisions different from the statements and/or technical features set forth in this document shall immediately void any warranty granted by ST for the ST product or service described herein and shall not create or extend in any manner whatsoever, any liability of ST.

ST and the ST logo are trademarks or registered trademarks of ST in various countries.

Information in this document supersedes and replaces all information previously supplied.

The ST logo is a registered trademark of STMicroelectronics. All other names are the property of their respective owners.

© 2014 STMicroelectronics - All rights reserved

STMicroelectronics group of companies

Australia - Belgium - Brazil - Canada - China - Czech Republic - Finland - France - Germany - Hong Kong - India - Israel - Italy - Japan - Malaysia - Malta - Morocco - Philippines - Singapore - Spain - Sweden - Switzerland - United Kingdom - United States of America

[www.st.com](http://www.st.com)

