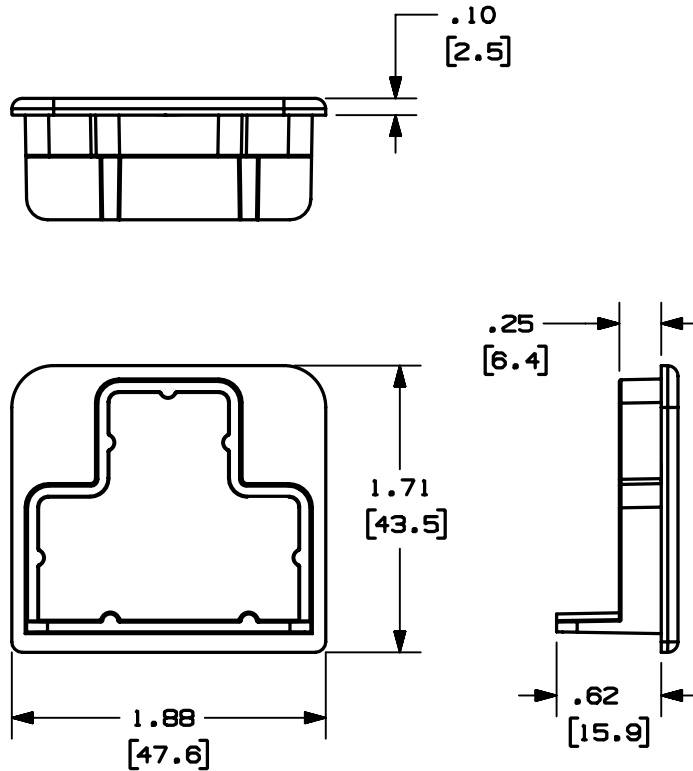


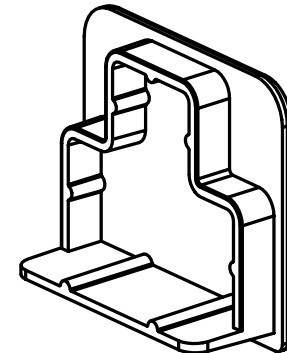
THIS COPY IS PROVIDED ON A RESTRICTED BASIS AND IS NOT TO BE USED IN ANY WAY DETRIMENTAL TO THE INTERESTS OF PANDUIT CORP.



| PANDUIT PART NO. | WEIGHT                            |
|------------------|-----------------------------------|
| OFR20EC          | .13 lbs / EACH<br>(59.0 g / EACH) |

NOTES:

- SEE CURRENT CATALOG FOR ADDITIONAL PART NUMBER SUFFIXES TO INDICATE COLOR AND/OR PACKAGE QUANTITY.
- DIMENSIONS IN PARENTHESES ARE IN METRIC.



CAD FILENAME/LAYERS D38546BB\_DC\_OFR20EC\_01B.PRT

**PANDUIT** CORP. TINLEY PARK, ILLINOIS  
 OFFICE FURNITURE HORIZONTAL  
 RACEWAY END CAP (OFR20EC)  
 CUSTOMER DRAWING

UNLESS OTHERWISE SPECIFIED,  
 DIMENSIONAL TOLERANCES ARE:  
 (.X) ± (.XXX) ±  
 (.XX) ± .03 (.8) ANGLES ±

UNLESS OTHERWISE SPECIFIED,  
 ALL DIMENSIONS ARE GIVEN  
 IN INCHES, THIRD ANGLE PROJECTION.

| REV | DATE     | BY  | CHK | DESCRIPTION                                 | ECN      | CHK  | CUST | SUP | DRAWN BY | DATE     | CHK'D | MAT'L'S | SCALE | DRAWING NO. | DWG SIZE |
|-----|----------|-----|-----|---|----------|------|------|-----|----------|----------|-------|---------|-------|-------------|----------|
| 2   | 04-28-03 | JBN | JBN | RELEASED TO PRODUCTION                      | 38546-02 | RGRO | RGRO |     | JBN      | 08-30-02 | JBN   | PVC     | NONE  | 38546-02    | A        |
| 1   | 03-13-03 | JBN | JBN | A. REVISED PART NUMBER: OFR20EC WAS OFR35EC |          |      |      |     |          |          |       |         |       |             |          |
| R   | 08-20-02 | JBN | JBN | DRAWING RELEASED                            |          |      |      |     |          |          |       |         |       |             |          |

+

+

+

+