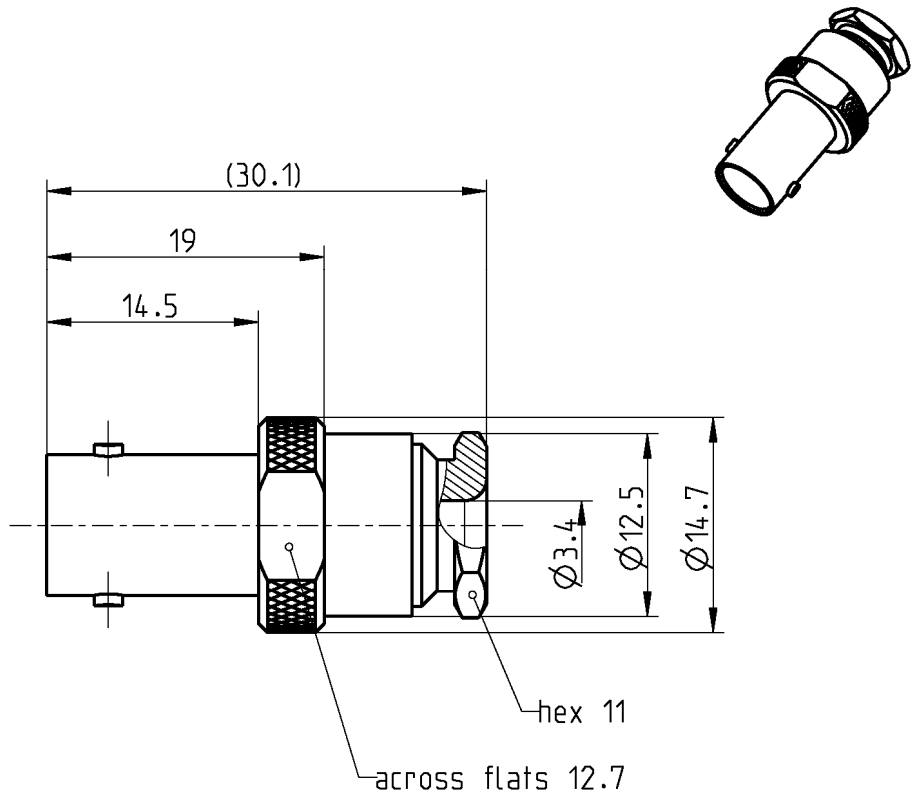


BNC 50
Ω

STRAIGHT JACK

51K106-002N5



All dimensions are in mm; tolerances according to ISO 2768 m-H

Interface

According to IEC 60169-8, MIL-PRF-39012, CECC 22120

Documents

Assembly instruction 51 E

Material and plating

Connector parts

Center contact
Outer contact
Body
Dielectric
Gasket

Material

CuBe
Brass
Brass
PTFE
Silicone

Plating

AuroDur®, gold plated
Flash white bronze over silver(e.g. Optargen®)
Flash white bronze over silver(e.g. Optargen®)

BNC 50
Ω

STRAIGHT JACK

51K106-002N5

Electrical data

Impedance	50 Ω
Frequency	DC to 10 GHz
Return loss	≥ 25 dB, DC to 1 GHz ≥ 20 dB, 1 to 2 GHz
Insertion loss	≤ 0.05 x √ f [GHz] dB, DC to 2 GHz
Insulation resistance	≥ 5 x10 ³ MΩ
Center contact resistance	≤ 1.5 mΩ
Outer contact resistance	≤ 1 mΩ
Test voltage	1500 V rms
Working voltage	400 V rms
Power handling (at 20 °C, sea level, VSWR 1.0)	≤ 80 W @ 2 GHz

- Limitations are possible due to the used cable type -

Mechanical data

Mating cycles	min. 500
Center contact captivation: axial	≥ 15 N

Environmental data

Temperature range	-55°C to +155°C
Thermal shock	MIL-STD-202, Meth. 107, Cond. B
Corrosion	MIL-STD-202, Meth. 101, Cond. B
Vibration	MIL-STD-202, Meth. 204, Cond. B
Shock	MIL-STD-202, Meth. 213, Cond. G
Moisture resistance	MIL-STD-202, Meth. 106
RoHS	compliant

Tooling

N/A

Suitable cables

RG 174 A/U, RG 316 /U, RG 188 A/U

Weight

Weight 17.2 g/pce

While the information has been carefully compiled to the best of our knowledge, nothing is intended as representation or warranty on our part and no statement herein shall be construed as recommendation to infringe existing patents. In the effort to improve our products, we reserve the right to make changes judged to be necessary.

Draft	Date	Approved	Date	Rev.	Engineering change number	Name	Date
Inge Mühlauer	06/07/04	Sa. Krautenbacher	17.03.14	e00	14-0352	T. Krojer	17.03.14
Rosenberger Hochfrequenztechnik GmbH & Co. KG P.O.Box 1260 D-84526 Tittmoning Germany www.rosenberger.de					Tel.: +49 8684 18-0 Fax: +49 8684 18-499 email: info@rosenberger.de		Page 2 / 2