

THIS DRAWING IS UNPUBLISHED. RELEASED FOR PUBLICATION

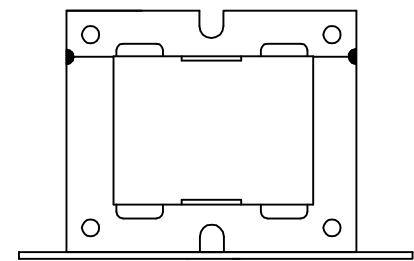
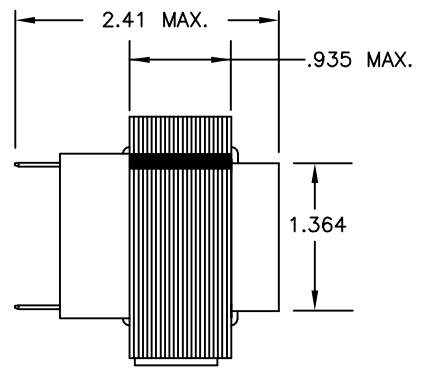
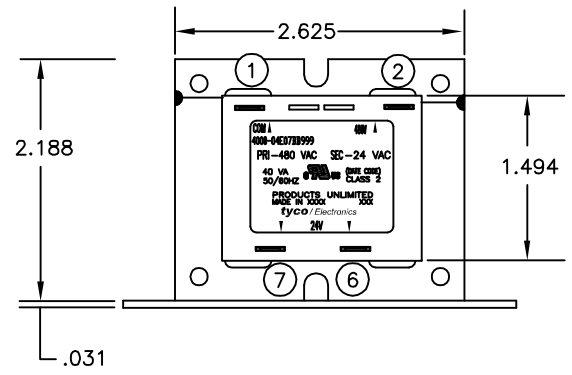
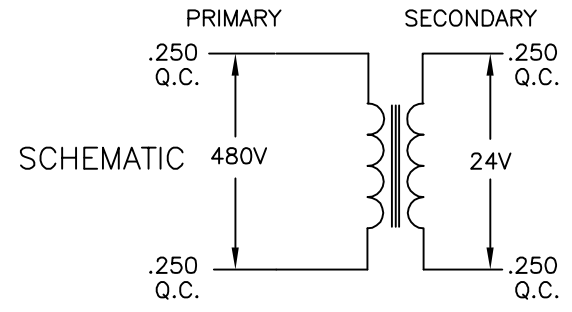
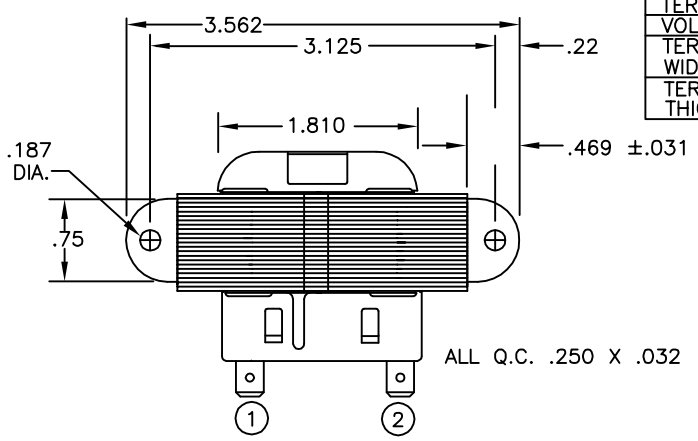
© COPYRIGHT BY TYCO ELECTRONICS CORPORATION. ALL RIGHTS RESERVED.

LOC	DIST	REVISIONS					
GZ	00	P	LTR	DESCRIPTION	DATE	DWN	APVD
		A		NEW FORMAT & EC0720-0114-04	19FEB04	MD	KH

PRIMARY			
TERMINAL NO.	1	2	3
VOLTAGE	COM	480	
TERMINAL WIDTH	.250	.250	
TERMINAL THICKNESS	.032	.032	

- NOTES
1. DIMENSIONS FOR REFERENCE ONLY.
  2. WINDING PROTECTION—INHERENTLY LIMITING

CERTIFICATION: UL & CUL FILE NO. E87824		
SECONDARY		
TERMINAL NO.	6	7
VOLTAGE	24	VAC
TERMINAL WIDTH	.250	.250
TERMINAL THICKNESS	.032	.032



THIS DRAWING IS A CONTROLLED DOCUMENT.		DWN M.DAVIS 20FEB04	CUST. NO. -		TYCO PART NUMBER 5-1611454-8	
DIMENSIONS: INCHES		CHK K.HOLSCHUH 19FEB04	Tyco Electronics Corporation Harrisburg, Pa 17105-3608		NAME TRANSFORMER OUTLINE	
TOLERANCES UNLESS OTHERWISE SPECIFIED: 0 PLC ± - 1 PLC ± - 2 PLC ± - 3 PLC ± - 4 PLC ± - ANGLES ± 1°		APVD K.HOLSCHUH 19FEB04	PRODUCT SPEC -		APPLICATION SPEC -	
MATERIAL -		FINISH -	WEIGHT -	SIZE A3	CAGE CODE 00779	DRAWING NO C=4000-04E07BB999
CUSTOMER DRAWING				SCALE NTS	SHEET 1 OF 1	REV A