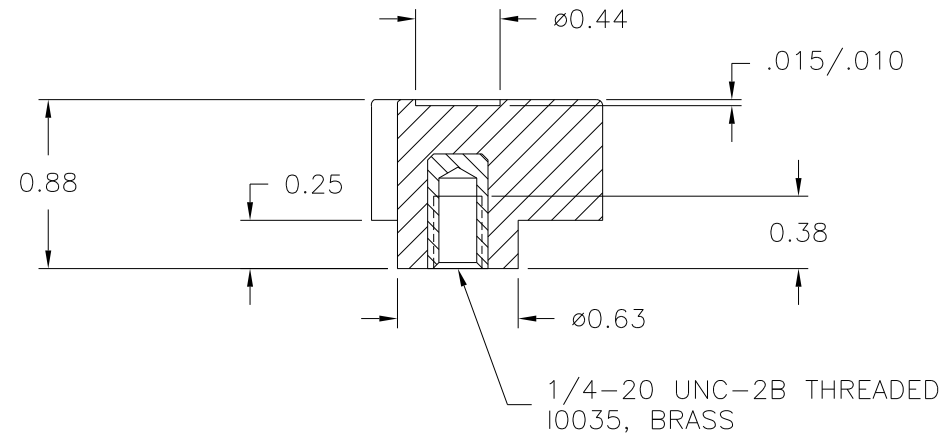
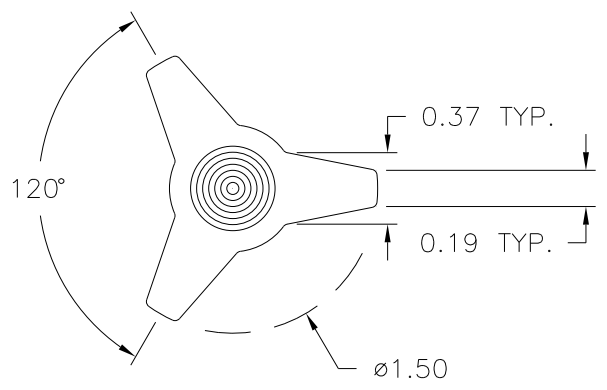


PART NAME: KNOB      SCALE: 1:1      DATE: 5/26/72      DR. BY NH

THIS DRAWING IS THE PROPERTY OF DAVIES MOLDING COMPANY, IS SUBMITTED SOLELY AS A DESIGN OR ENGINEERING PROJECT. WE ACCEPT NO RESPONSIBILITY WHATSOEVER FOR THE PRACTICAL APPLICATION OF THE PIECES MADE TO THIS DESIGN.



P/N	3035AX
M <sup>NO.</sup>	3035
CAVITY	3035
PLUNGER	3035
PLUNGER PIN	3035-A
OUTER PIN	3008-28
INNER PIN	3008-18
SHIMS	1/4+1/8
INSERT	10035



MATERIAL: #2535 PLENCO PHENOLIC (B35)  
 COLOR: BLACK

TOLERANCES: UNLESS OTHERWISE SPECIFIED	DO NOT SCALE DRAWING	B	ADDED INNER & OUTER PINS, CORRECTED TOOLING BOX (A)	TS	10/16/02
		A	ADDED ALTERNATE PIN & ARRANGED TOOLING BOX	TS	11/13/01
DECIMALS: X.XXX ± .005 X.XX ± .015	MM: X.XX ± 0.15MM X.X ± 0.4MM	-	RE-DID REDRAW	TL	11/16/99
		-	CAD REDRAW	HD	4/27/93
FRACTIONS ± 1/64	ANG. ± 1°	CHANGES			