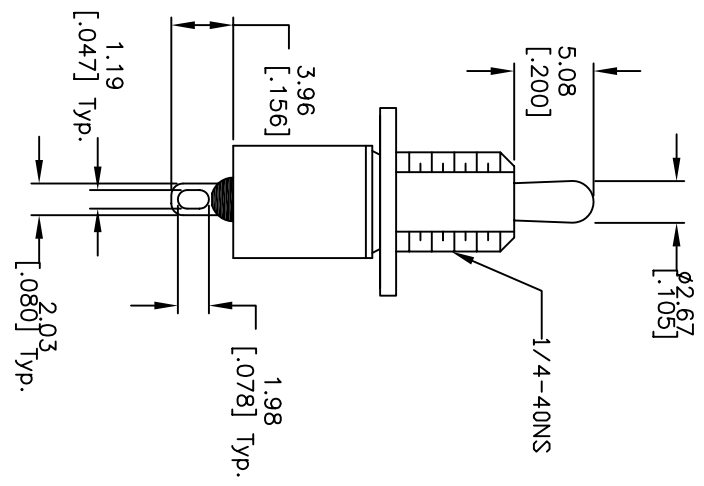
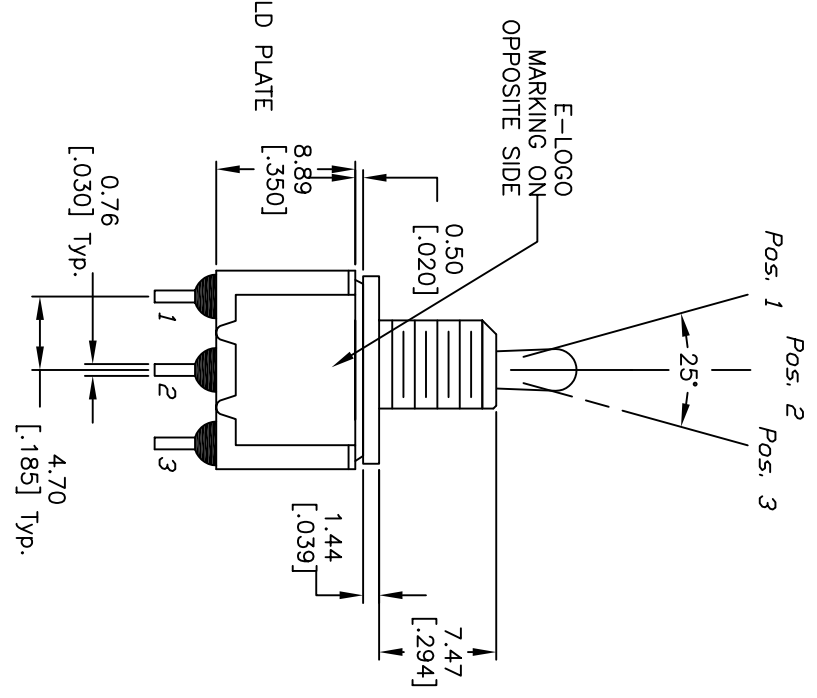
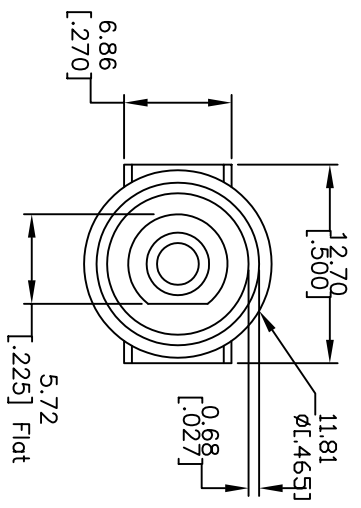


CIRCUIT: SPDT

CONTACT CONFIGURATION

SWITCH FUNCTION		
POS. 1	POS. 2	POS. 3
DN	DN	DN
DN	DN	DN
2-3	DFF	DN
		2-1



NOTES:

1. ALL DIMENSIONS IN MM [INCH]
2. GENERAL TOLERANCE: X.X=±0.4
X.XX=±0.25
3. TERM. NOS. FOR REF. ONLY
4. RATING: 0.4 (VA) Max. @20V AC OR DC
5. FIXED TERM. & MOVING CONTACT: COPPER ALLOY W/GOLD PLATE OVER NICKEL PLATE.
6. ELECTRICAL LIFE: 40,000 MAKE-AND-BREAK CYCLES AT FULL LOAD.
7. INSULATION RESISTANCE: 1,000M OHM MIN.
8. DIELECTRIC STRENGTH: 1,000V RMS @SEA LEVEL.
9. OPERATING TEMP.: -30°C to +85°C.
10. ▲ DENOTES CRITICAL PARAMETER.
11. 2002/95/EC (ROHS) COMPLIANT
12. HARDWARE TO BE SUPPLIED BULK:
 T100011-LOCK WASHER QTY-1
 T100002-LOCK RING QTY-1
 T100000-HEX NUT QTY-2
 T100016-"O" RING QTY-1

REV. A	ECN No. 17391	RELEASED FOR PRODUCTION	6/18/07	TN
DESCRIPTION		DATE	CHKD	
THE INFORMATION CONTAINED IN THIS DOCUMENT IS PROPRIETARY TO E-SWITCH AND IS NOT TO BE COPIED OR TRANSFERRED				



TITLE		100SP3T2B9M1REH		SCALE	2:1	DATE	6/18/07	DR	TN	DWG	ST113005	REV	A
-------	--	-----------------	--	-------	-----	------	---------	----	----	-----	----------	-----	---