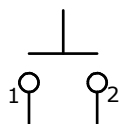
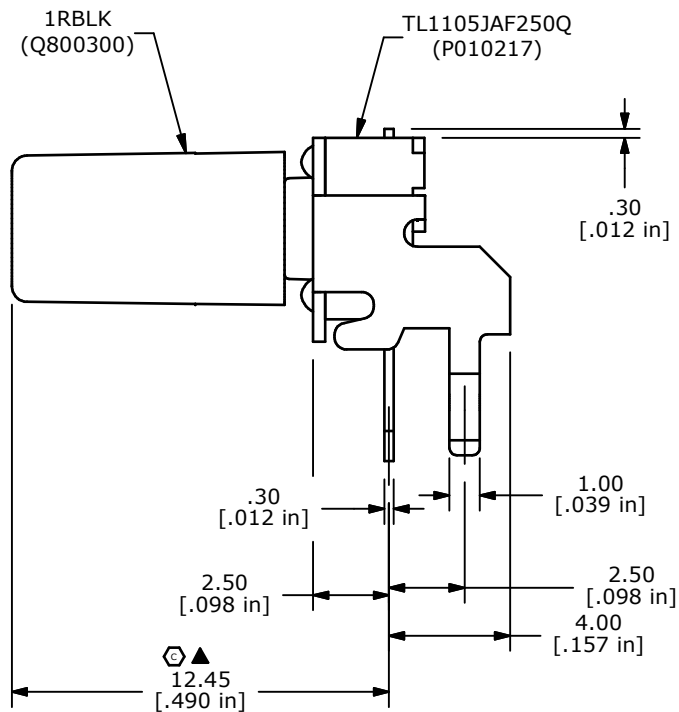
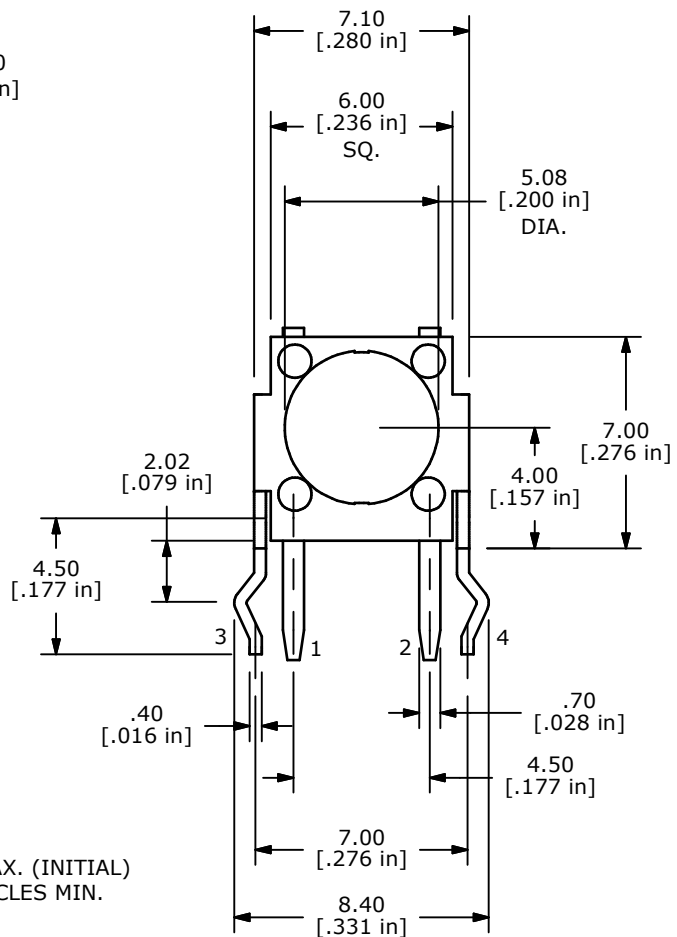
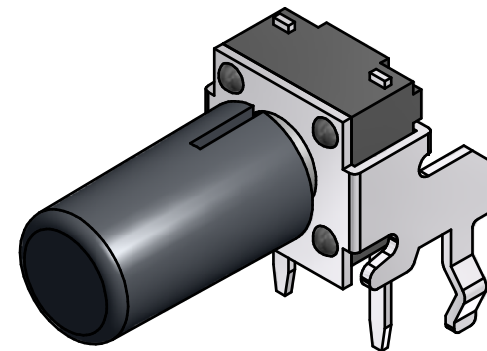


PCB MOUNTING



CIRCUIT DIAGRAM: SPST



NOTES:

1. ALL DIMENSIONS IN mm [INCH].
2. GENERAL TOLERANCE: X.X=±0.4
X.XX=±0.25
3. TERM. NOS. FOR REFERENCE ONLY.
4. RATING: 50mA @ 12VDC
- ▲5. OPERATING FORCE: 250±50 gms
6. TRAVEL: 0.25+0.20/-0.10 mm
7. CONTACT RESISTANCE: 100 MILLI-OHMS MAX. (INITIAL)
8. MECHANICAL/ELECTRICAL LIFE: 100,000 CYCLES MIN.
- ▲9. CONTACTS: SILVER
10. ▲DENOTES CRITICAL PARAMETER.
11. 2002/95/EC (ROHS) COMPLIANT.



TITLE TL1105JAF160Q1RBLK

C	20600	ADDED TERMINAL NUMBERS, 3D MODELED	05/10/12	drg
REV	PCR NO	DESCRIPTION	DATE	BY

THE INFORMATION CONTAINED IN THIS DOCUMENT IS PROPRIETARY TO E-SWITCH AND IS NOT TO BE COPIED OR TRANSFERRED

DATE	DR	DWG	REV
9/20/2006	TN	XP0189P	C