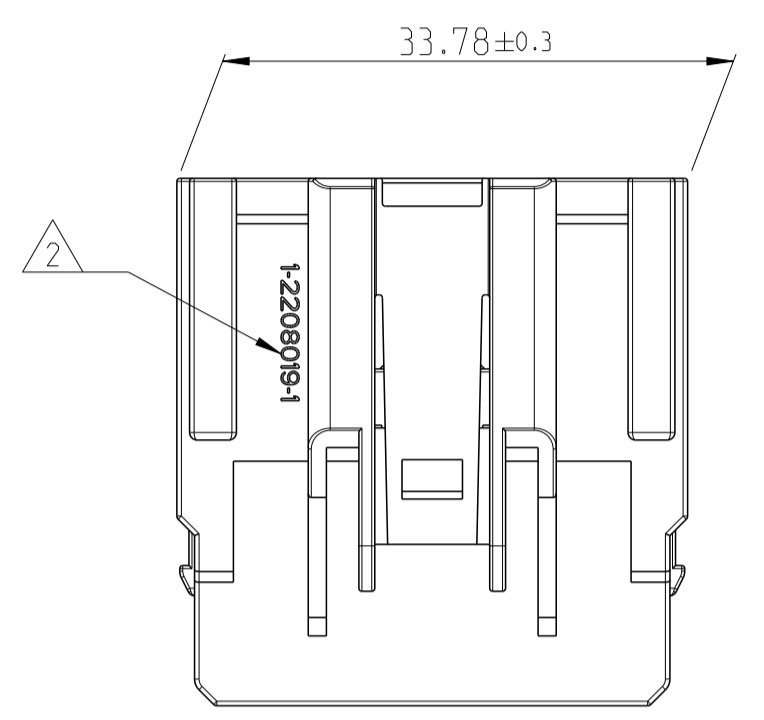
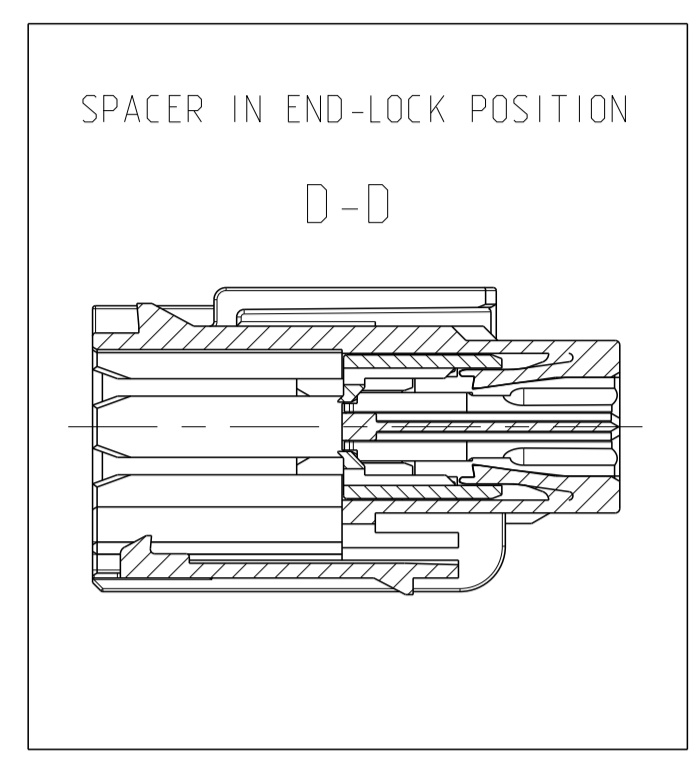
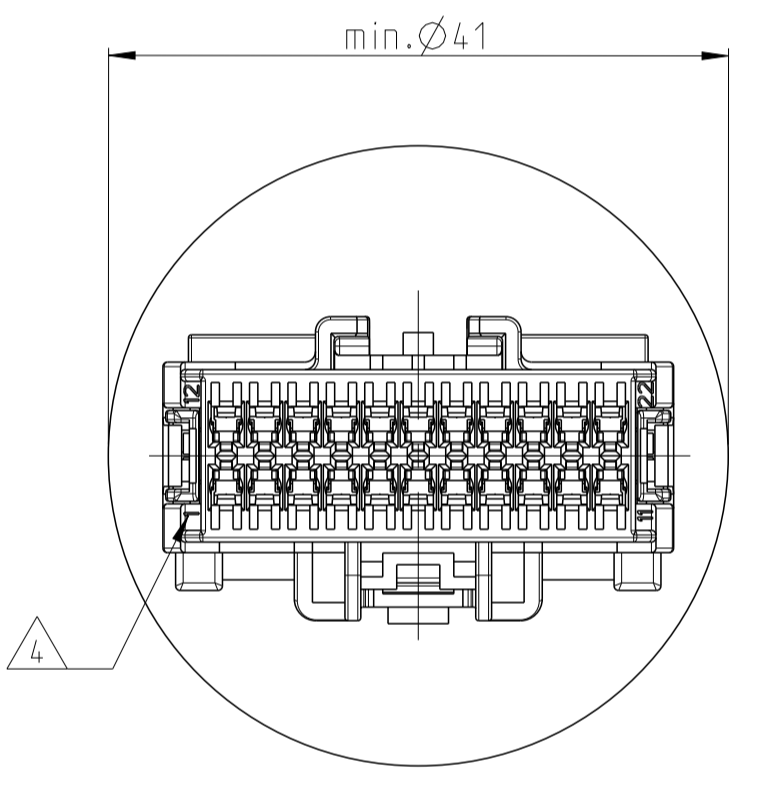
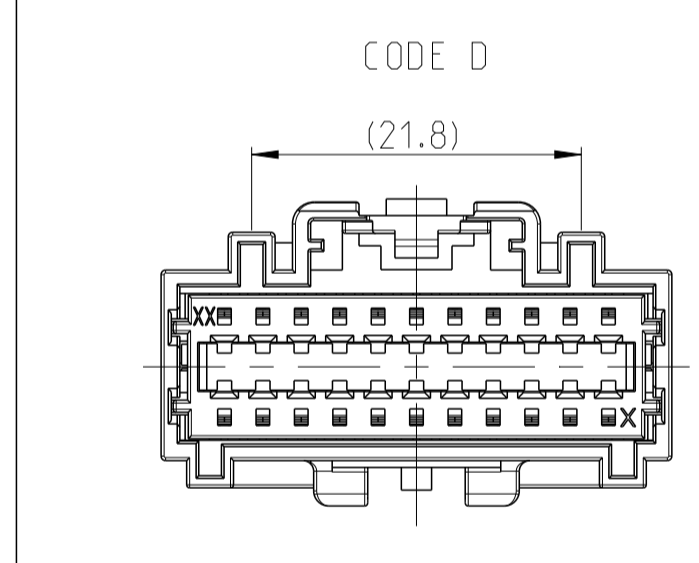
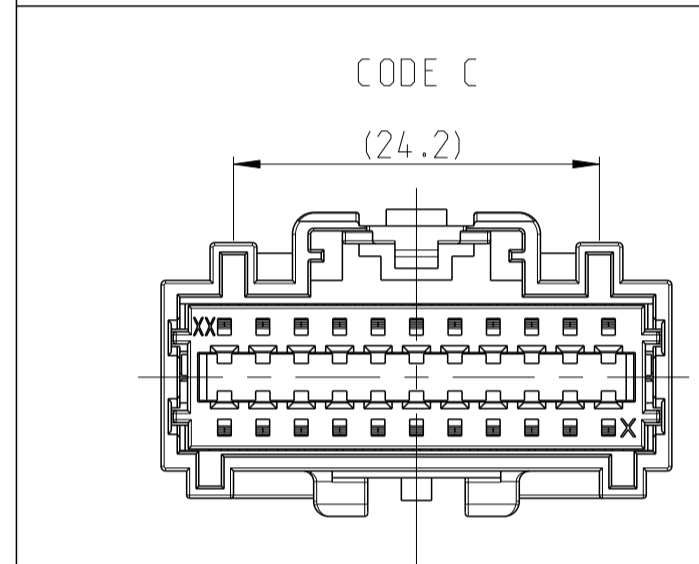
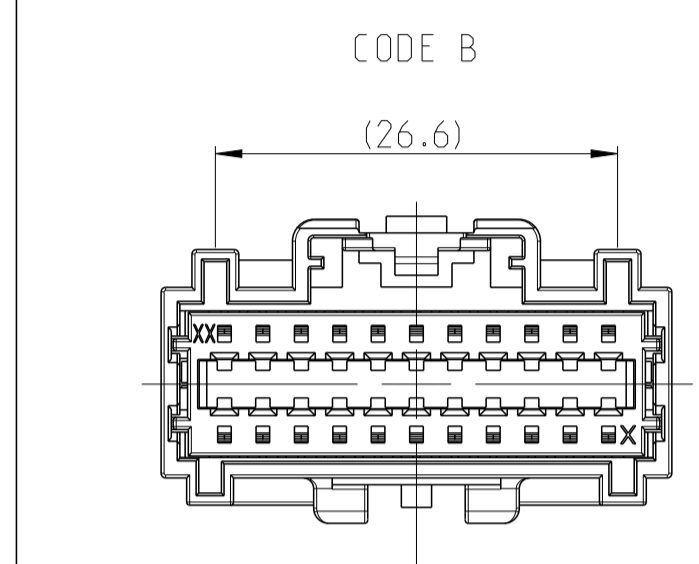
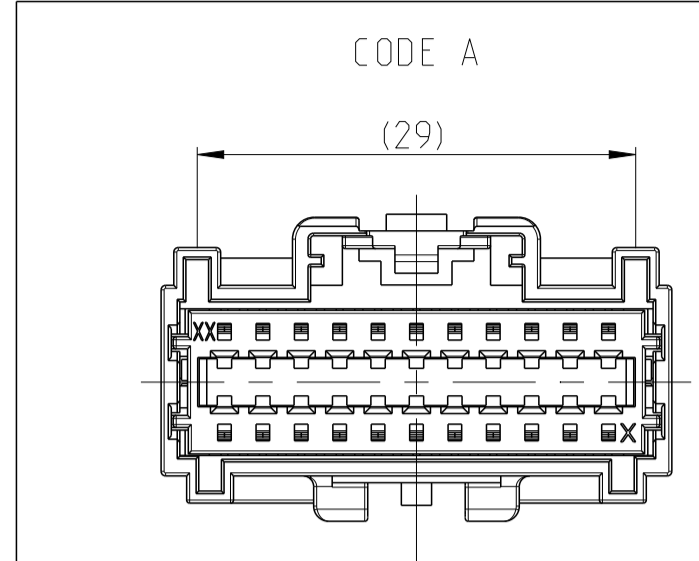


LOC	DIST	REVISIONS					
		P	LTR	DESCRIPTION	DATE	DWN	APVD
A1	-	A		NEW DRAWING	02MAY2012	MK	GS
		B1		SEE PCN E-14-017643	27NOV2014	MK	GS
		B2		SEE PCN E-15-013467	14SEP2015	SH	GS

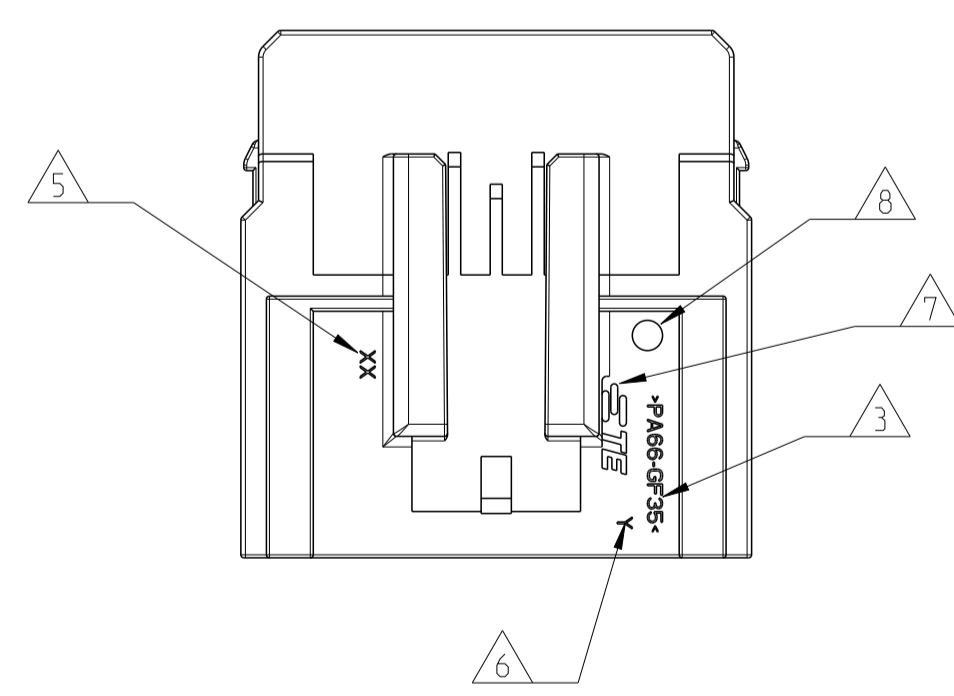
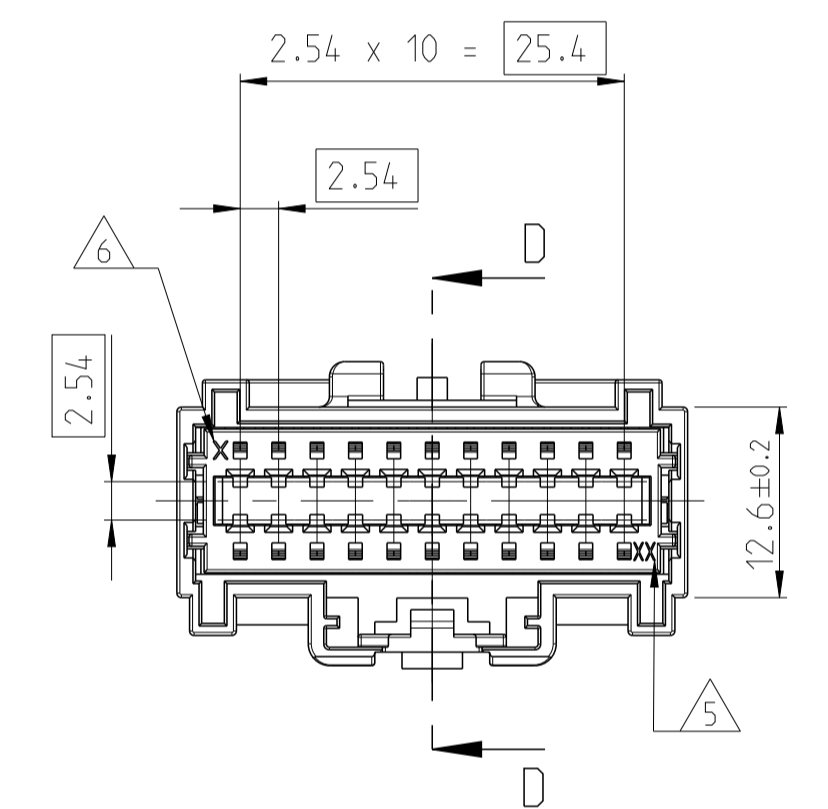
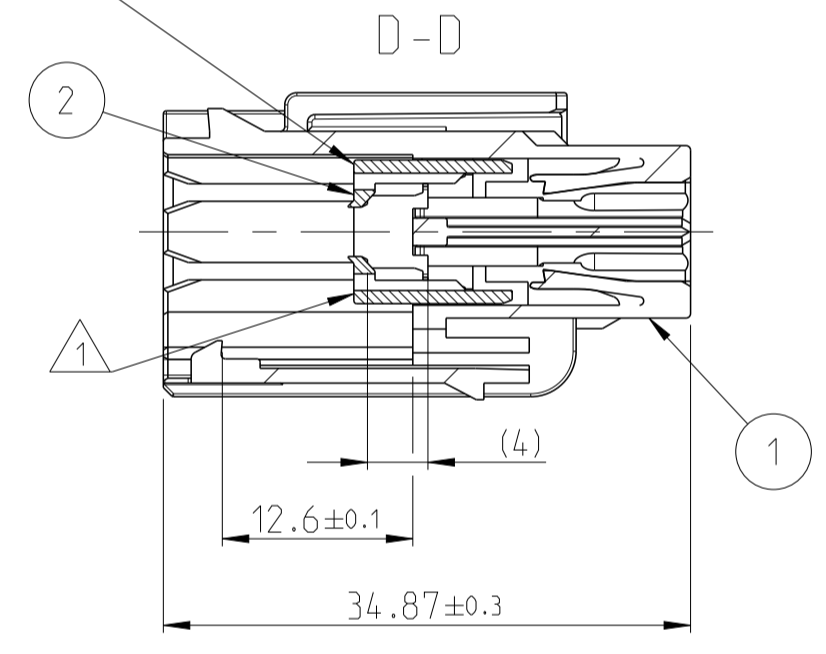


NOTE:

- ① SPACER IN PRE-LOCK POSITION
- ② PART NUMBER
- ③ MATERIAL IDENTIFICATION
- ④ TERMINAL POSITION NUMBERS
- ⑤ PRODUCT REVISION LEVEL
- ⑥ MOLD CAVITY NUMBER
- ⑦ COMPANY LOGO
- ⑧ PRODUCTION DATE
- ⑨ PACKAGING: CONNECTOR ASSEMBLIES TO BE BULK PACKED IN CARDBOARD BOX



DELIVERY CONDITION:
SPACER IN PRE-LOCK POSITION



REV	ASSY PN	QUANTITY	MATERIAL	DESCRIPTION	COLOUR	ITEM NO
B	1-2208018-4 COD. D	1	PBT-GF30	SPACER	RED	2
B	1-2208018-3 COD. C	1	PA66-GF35	2x11 POS. MALE HSG. COD. D	GREEN	1
B	1-2208018-2 COD. B	1	PA66-GF35	2x11 POS. MALE HSG. COD. C	GREY	1
B	1-2208018-1 COD. A	1	PA66-GF35	2x11 POS. MALE HSG. COD. B	NATURE	1
B		1	PA66-GF35	2x11 POS. MALE HSG. COD. A	BLACK	1

1-2208018-1
IS SHOWN

THIS DRAWING IS A CONTROLLED DOCUMENT. DWN: M. Kressmann 02MAY2012
 CHK: G. Steinbach 04MAY2012

DIMENSIONS: mm TOLERANCES UNLESS OTHERWISE SPECIFIED:
 0 PLC ±0.3
 1 PLC ±0.3
 2 PLC ±#
 3 PLC ±#
 4 PLC ±#
 ANGLES ±#
 FINISH ±#1

MATERIAL: - FINISH: - WEIGHT: -

Customer Drawing

SCALE: 2:1 SHEET: 1 OF 1 REV: B2

STE TE Connectivity
 NAME: 22 POS. 0.64 MALE GENERATION Y PIN HSG. ASSY
 SIZE: A1 CAGE CODE: 00779 DRAWING NO: 2208018
 RESTRICTED TO: -