

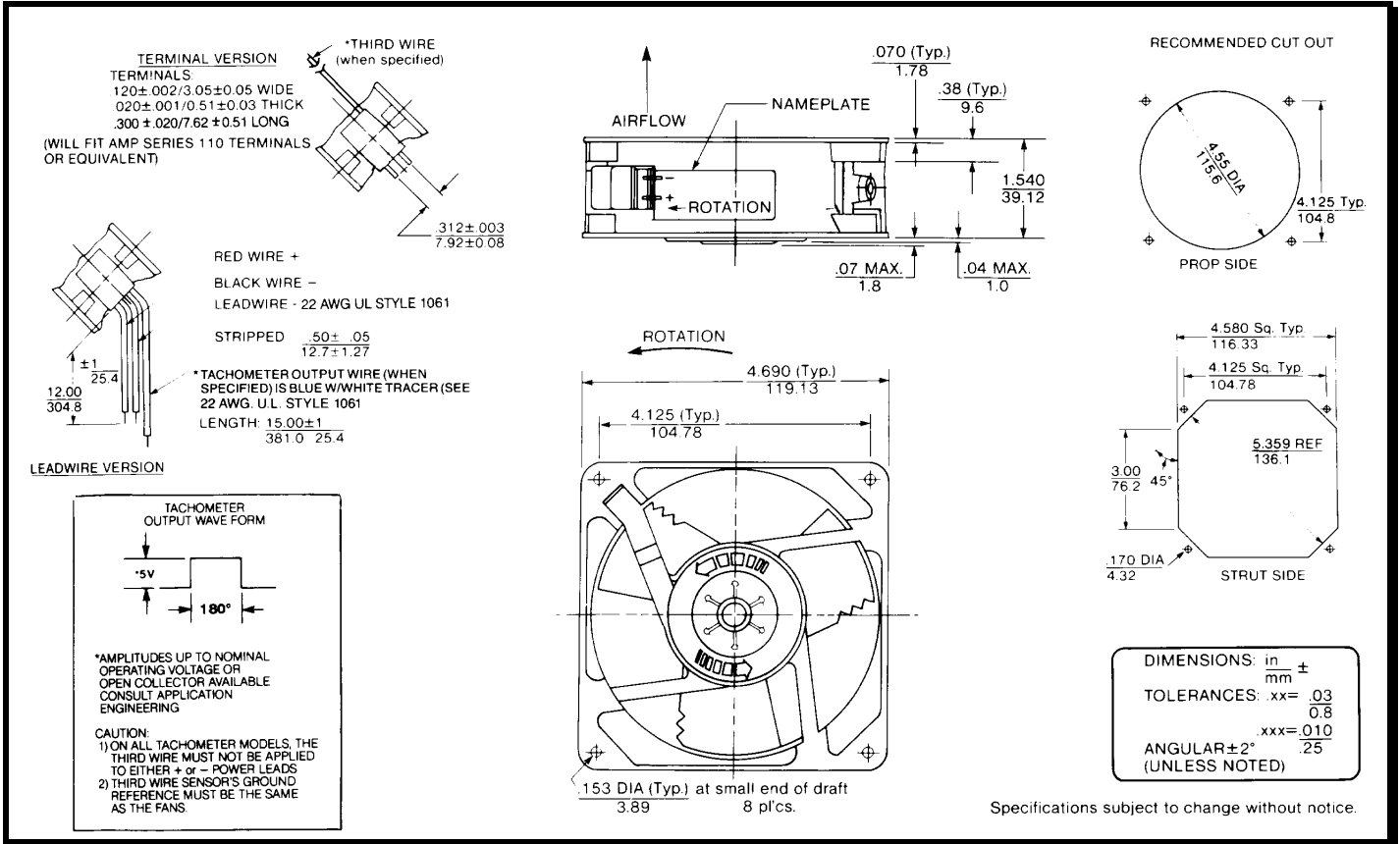
# SPECIFICATIONS



**Part Number:** 19032038A  
**Model Number:** MD48B3

February 12, 2004

## Mechanical Drawing:



### Motor:

Nominal Voltage = 48 vdc  
 Operating Voltage Range = 24 - 56 vdc  
 Nominal Running Current = 0.120 amps  
 Locked Rotor Current = 0.400 amps  
 Running Power = 5.8 watts  
 Average Speed = 3100 rpm  
 Bearings = Ball  
 Air Flow = 110 CFM  
 Acoustic = 50.0 dBA

### Construction:

Venturi: Die-Cast Zinc Alloy, Black  
 Propeller: Plastic, Black, UL 94V-0

### Agency Certifications:

UL, CE

### Life Expectancy:

This fan is designed for continuous duty life of 83,000 hours at 40°C.

### Additional Features:

Brushless DC Motor  
 Automatic Restart Capability  
 Locked Rotor Protection  
 Polarity Protected  
 Operating Temperature: -10°C to 70°C  
 Storage Temperature: -40°C to 85°C

### Termination:

12" Lead wires, 22 AWG, UL 1061  
 Red = Power (+)  
 Black = Return (-)