

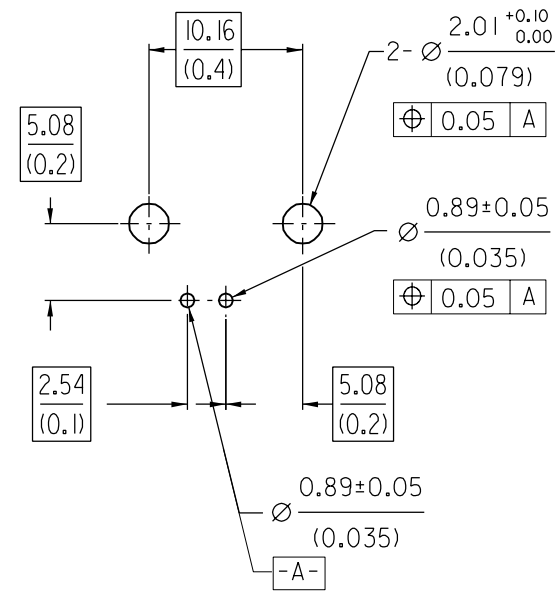
ENG. NO.

EDP NO.

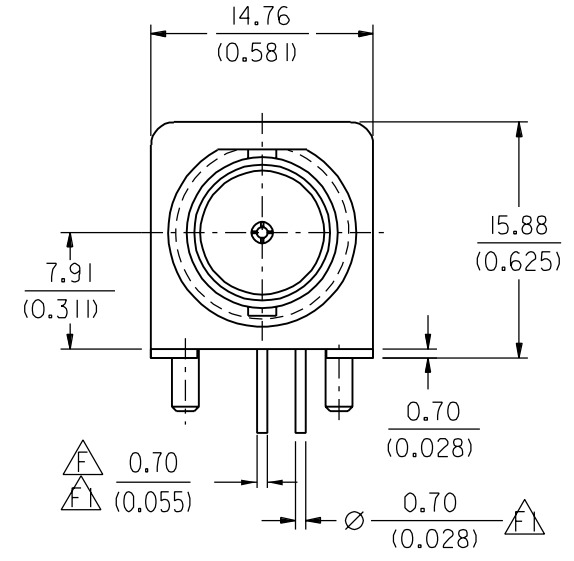
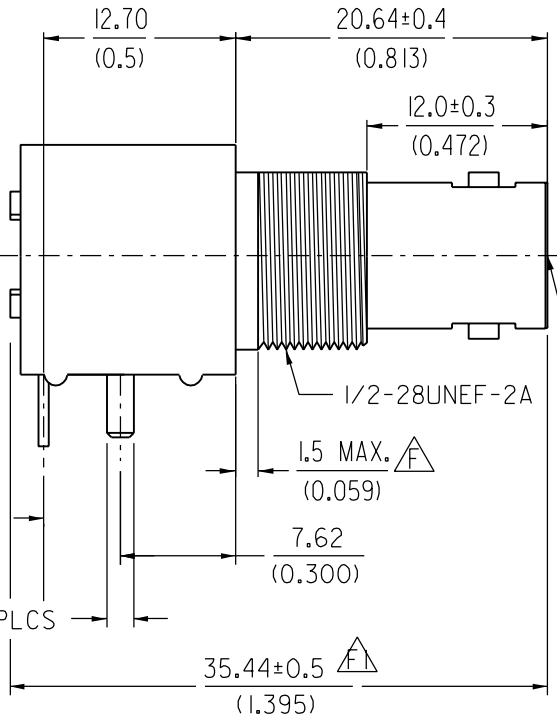
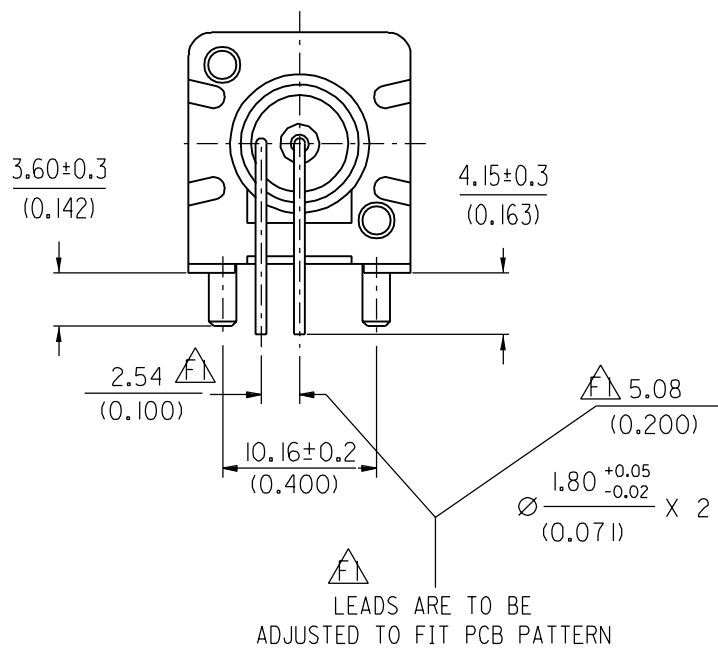
SIMILAR ITEM

CADFILE NO.

DO NOT SCALE DRAWING



PCB HOLE CONFIGURATION



INTERFACE PER MOLEX STANDARD ES-73599-0000

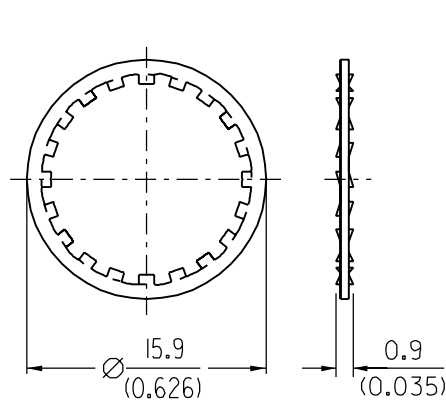
- CONSTRUCTION:**
 BODY-----ZINC ALLOY
 HOUSING-----POLYESTER BUTYLENE TEREPHTHALATE (WHITE)
 CENTER CONTACT----PHOSPHOR BRONZE
 DIELECTRIC-----POLYPROPYLENE (94V2)
 MOUNTING POST-----BRASS
 SOLDER TAIL-----COPPER OVER STEEL WIRE
 LOCK WASHER -----PHOSPHOR BRONZE
 NUT-----BRASS

- FINISH:**
 BODY-----NICKEL PLATING
 CENTER CONTACT----GOLD FLASH
 SOLDER TAIL-----TIN PLATING
 MOUNTING POST-----TIN PLATING
 LOCK WASHER -----NICKEL PLATING
 NUT-----NICKEL PLATING

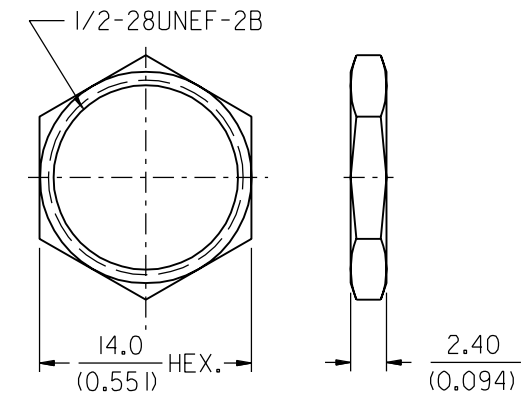
MECHANICAL & ELECTRICAL CHARACTERISTICS:
 PER PRODUCT SPECIFICATION: PS-73598-0050

MATERIAL & FINISH CHARACTERISTICS:
 PER PRODUCT SPECIFICATION: PS-73598-0050

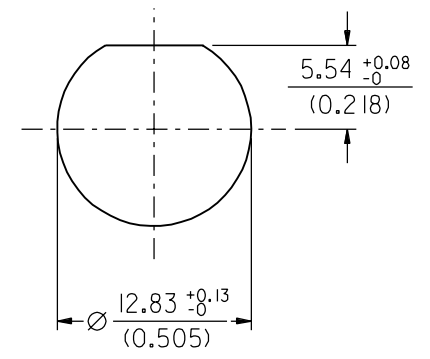
PACKAGING:
 TRAY PACKAGING



LOCK WASHER



JAM NUT



RECOMMENDED MOUNTING HOLE
 MAXIMUM PANEL THICKNESS: 5.5 mm
 RECOMMENDED MOUNTING TORQUE 5 inch-pounds MAX.

					MATERIAL :	SEE NOTES	MOLEX TAIWAN LTD. (R.F. DIVISION)
					FINISH :	SEE NOTES	
					SCALE :	2:1 UNIT : mm(INCH)	
					DRAWN BY :	Lilly 92/01/23	GENERAL TOLERANCES ANGLE : ± 3° DIM. ± 0.25 (±.01)
F1	CHANGE DIM.	0891		96/10/14	CHK'D BY :		DRW. NO.: SDA-73138-5013 REV F1
F	CONVERT TO NEW FORMAT	0637	Lillian	95/09/25	APPR'D BY :		TITLE : 50 OHMS BNC R/A PCB RECEPTACLE (MOLDED)
LTR	REVISION RECORD	ECN	DR	DATE	STANDARD ITEM	<input type="checkbox"/> YES <input checked="" type="checkbox"/> NO	SHEET OF

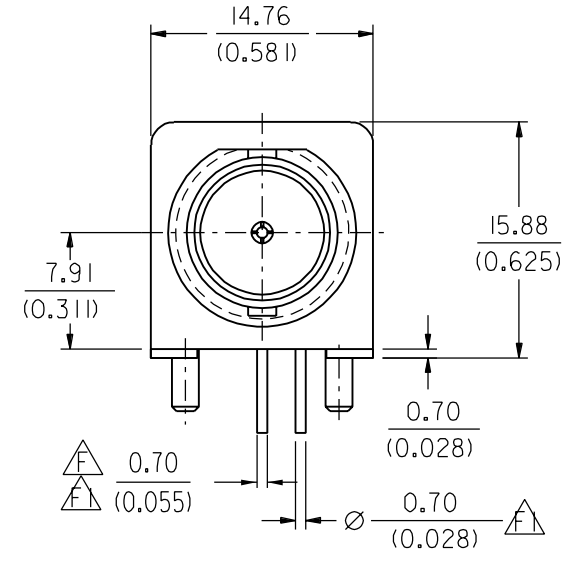
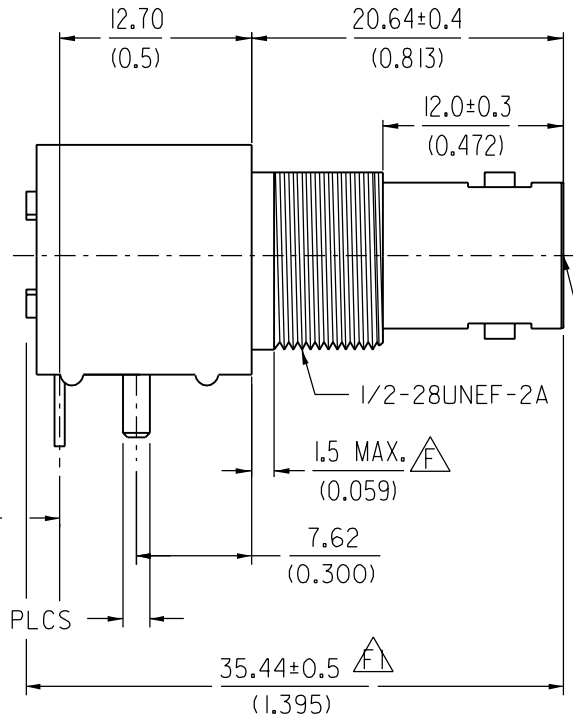
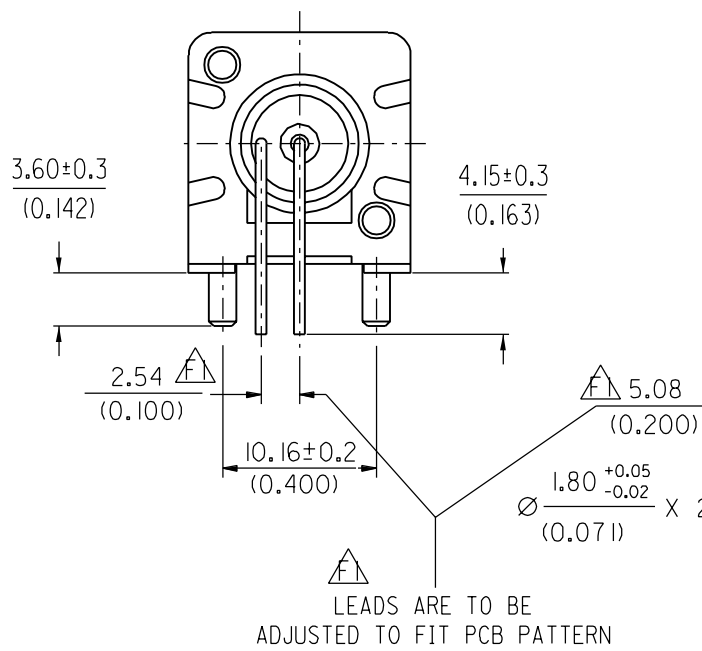
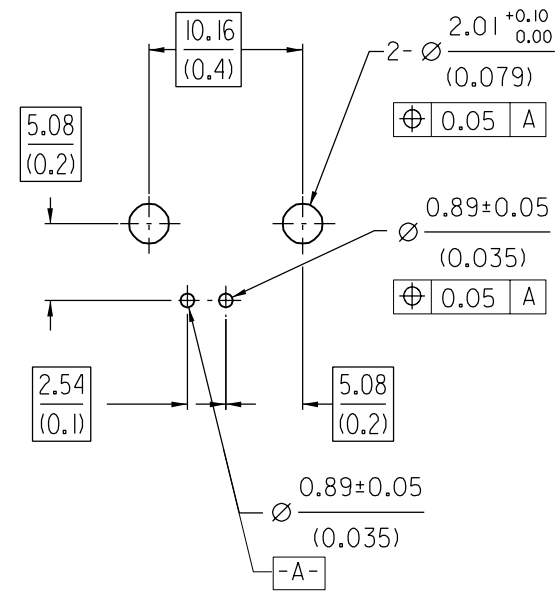
ENG. NO

EDP NO.

SIMILAR ITEM

CADFILE NO.

DO NOT SCALE DRAWING



CONSTRUCTION:

- △ BODY-----ZINC ALLOY
- △ HOUSING-----POLYESTER BUTYLENE TEREPHTHALATE (WHITE)
- CENTER CONTACT----PHOSPHOR BRONZE
- DIELECTRIC-----POLYPROPYLENE (94V2)
- MOUNTING POST-----BRASS
- SOLDER TAIL-----COPPER OVER STEEL WIRE
- LOCK WASHER -----PHOSPHOR BRONZE
- NUT-----BRASS

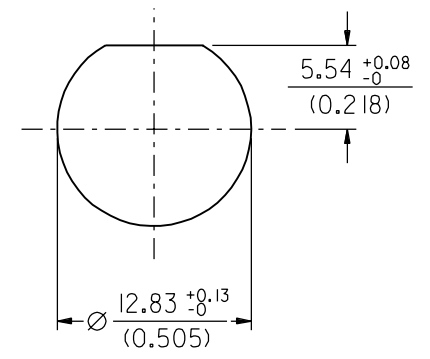
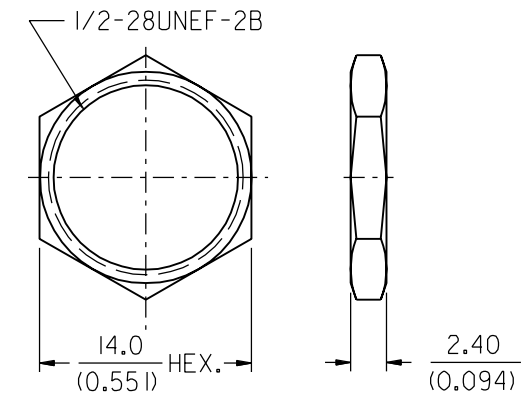
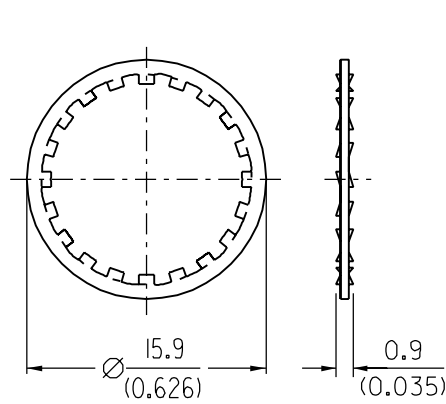
FINISH:

- △ BODY-----NICKEL PLATING
- △ CENTER CONTACT----GOLD FLASH
- SOLDER TAIL-----TIN PLATING
- MOUNTING POST-----TIN PLATING
- LOCK WASHER -----NICKEL PLATING
- NUT-----NICKEL PLATING

MECHANICAL & ELECTRICAL CHARACTERISTICS:
PER PRODUCT SPECIFICATION: PS-73598-0050

MATERILA & FINISH CHARTERISTICS:
PER PRODUCT SPECIFICATION: PS-73598-0050

PACKAGING:
TRAY PACKAGING



					MATERIAL :	SEE NOTES	MOLEX TAIWAN LTD. (R.F. DIVISION)
					FINISH :	SEE NOTES	
					SCALE :	2:1 UNIT : mm(INCH)	
					DRAWN BY :	Lilly 92/01/23	GENERAL TOLERANCES ANGLE : ± 3° DIM. ± 0.25 (±.01)
F1	CHANGE DIM.	0891		96/10/14	CHK'D BY :		DRW. NO.: SDA-73138-5013 REV F1
F	CONVERT TO NEW FORMAT	0637	Lillian	95/09/25	APPR'D BY :		TITLE : 50 OHMS BNC R/A PCB RECEPTACLE (MOLDED)
LTR	REVISION RECORD	ECN	DR	DATE	STANDARD ITEM	<input type="checkbox"/> YES <input checked="" type="checkbox"/> NO	SHEET OF