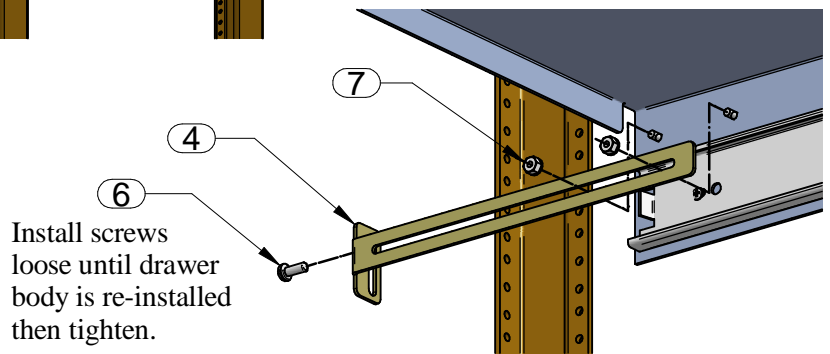


DETAIL A



DETAIL B

**ASSEMBLY INSTRUCTIONS:**

**READ BEFORE ATTEMPTING TO INSTALL!**

- A) Separate drawer body (item 1) from shroud (item 2) by pulling levers on inner slide section attached to drawer body.
- B) Mount shroud (item 2) to cabinet rails at desired height using (4) 10-32 pan head screws (item 6).  
**Do Not Tighten 10-32 Screws at this point.** (See detail A)
- C) Mount rear rail brackets (item 4) to shroud by placing the brackets over both studs located in the upper rear corners. Slide brackets to suit set depth between the cabinet rails and then fasten in place using (2) 8-32 KEP nuts (item 7) as shown.  
 Secure rear rail bracket to mounting rail using 10-32 pan head screws.  
**Do Not Tighten 10-32 Screws at this point.** (See detail B)
- D) Install drawer by lining up both halves of the slides and then pushing the drawer into the closed position.  
**Do Not Force or cause the drawer to twist when closing.**
- E) Tighten 10-32 screws (item 6) once drawer body is installed.

PARTS LIST		
ITEM No.	DESCRIPTION	QTY
1	DRAWER BODY	1
2	SHROUD	1
3	BALL BEARING SLIDE	2
4	REAR RAIL BRACKETS	2
5	MOUNTING RAIL (NOT INCLUDED)	4
6	10-32 SCREW	8
7	8-32 KEP NUT	4

TOOL BOX



Phillips  
Screw Driver



Tape  
Measure

