

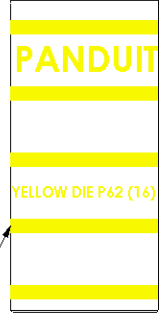
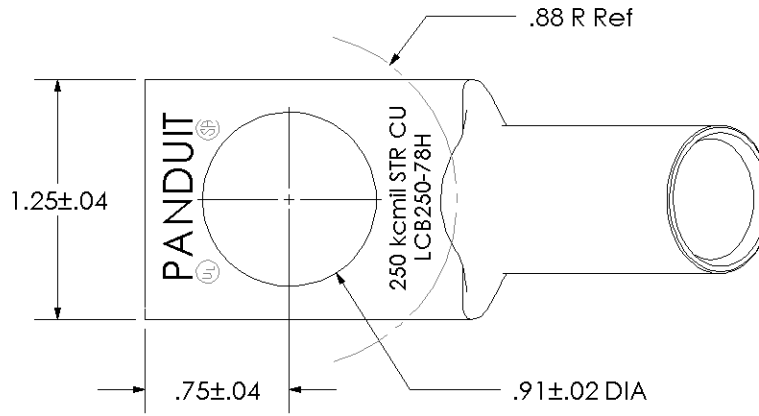
THIS COPY IS PROVIDED ON A RESTRICTED BASIS AND IS NOT TO BE USED IN ANY WAY DETRIMENTAL TO THE INTERESTS OF PANDUIT CORP.

| | |
|--|--|
| Material | High Conductivity Seamless Copper Tube |
| Plating | Electro-Tin |
| Wire Size | 250 kcmil |
| Wire Type | Stranded Copper; Class B: Compact, Compressed or Concentric, Class C: Concentric |
| Wire Strip Length | 1-11/16 in. |
| Stud Size | 7/8 in. |
| UL Listed Wire Connector | Yes, for applications up to 35kv. Consult cable manufacturer for voltage stress relief instructions with applications greater than 2000 volts. |
| UL Temperature Rating | 90° C |
| C.S.A Certified Wire Connector | Yes |
| Panduit Color Code on Barrel | YELLOW |
| Panduit Die Index No. on Barrel | P62 |
| Alternate Industry Die Index No. () on Barrel | (16) |

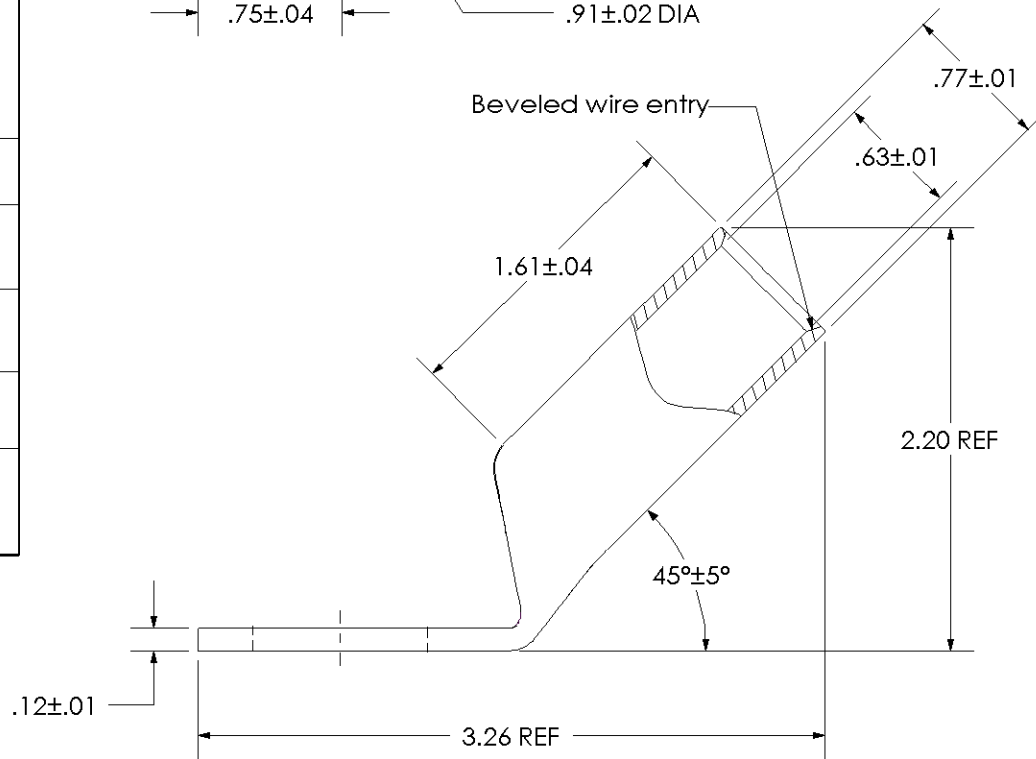


CERTIFIED

LISTED Wire Connector



Color coded barrel markings



| | | | |
|-----|------|-----|-----|
| 01 | 7/04 | DRL | DRL |
| REV | DATE | BY | CHK |

TONGUE WIDTH WAS 1.17 THICKNESS WAS .14

DESCRIPTION

11948

ECN

SCALE N/A

DRAWING NO / CAD FILE

LCB250-78H-CUST

PANDUIT CORP. TINLEY PARK, ILLINOIS

LCB250-78H-X

Copper Lug - One-Hole, Long Barrel, 45° Angle Tongue