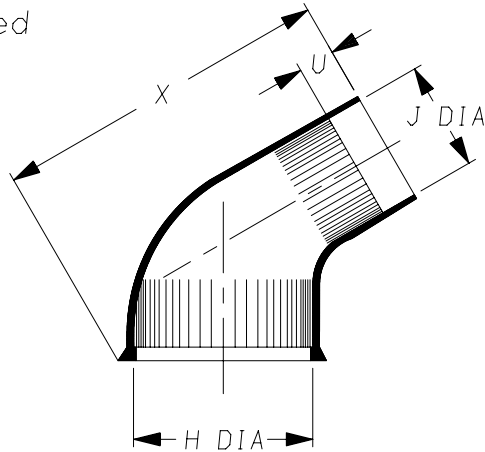
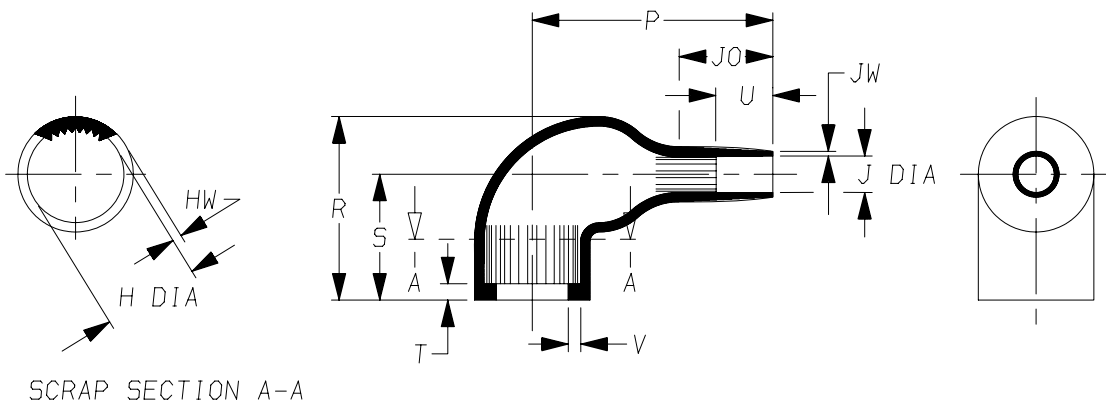


a) Part as supplied

222S1**-100S



b) Part as supplied



DIMENSIONS in millimetres
(in inches, for reference)

Part No.	H		J		P Ref	R ±10%	S Ref	T Ref	U		V Ref	JO Ref	X ±5%	HW ±30%	JW ±30%
	Min a	Max b	Min a	Max b					Min a	±20% b					
222S121-100S	14 {0.55}	10.4 {0.41}	10 {0.39}	5.0 {0.20}	30 {1.18}	25 {0.98}	19 {0.75}	3.0 {0.12}	5.0 {0.20}	10 {0.39}	1.0 {0.04}	15 {0.59}	47 {1.85}	1.5 {0.06}	1.0 {0.04}
222S132-100S	20 {0.79}	14.2 {0.56}	12 {0.47}	6.0 {0.24}	38 {1.50}	28 {1.10}	20 {0.79}	3.0 {0.12}	5.0 {0.20}	10 {0.39}	1.0 {0.04}	17 {0.67}	57 {2.24}	1.5 {0.06}	1.0 {0.04}
222S142-100S	26 {1.02}	18.0 {0.71}	14 {0.55}	7.2 {0.28}	42 {1.65}	31 {1.22}	21 {0.83}	3.0 {0.12}	6.0 {0.24}	10 {0.39}	1.0 {0.04}	18 {0.71}	64 {2.52}	2.0 {0.08}	1.0 {0.04}
222S152-100S	31 {1.22}	22.4 {0.88}	20 {0.79}	8.5 {0.33}	51 {2.01}	38 {1.50}	26 {1.02}	3.0 {0.12}	7.0 {0.28}	12 {0.47}	1.0 {0.04}	20 {0.79}	76 {2.99}	2.0 {0.08}	1.0 {0.04}
222S163-100S	38 {1.50}	28.2 {1.11}	24 {0.94}	10.0 {0.39}	67 {2.64}	45 {1.77}	30 {1.18}	3.0 {0.12}	12 {0.47}	20 {0.79}	1.7 {0.07}	28 {1.10}	92 {3.62}	2.2 {0.09}	1.5 {0.06}
222S174-100S	41 {1.61}	35.1 {1.38}	32 {1.26}	15.8 {0.62}	80 {3.15}	54 {2.13}	36 {1.42}	3.0 {0.12}	12 {0.47}	20 {0.79}	1.7 {0.07}	31 {1.22}	111 {4.37}	3.0 {0.12}	1.5 {0.06}

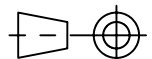
Copyright (!)

The copyright in this drawing is the property of Tyco Electronics UK Ltd. The drawing is issued on the condition that it is not copied, reproduced or disclosed to a third party, either in whole or in part without the prior written consent of Tyco Electronics UK Ltd.

Drawn A.LILLEY. Checked Issue 5 Date March 2008

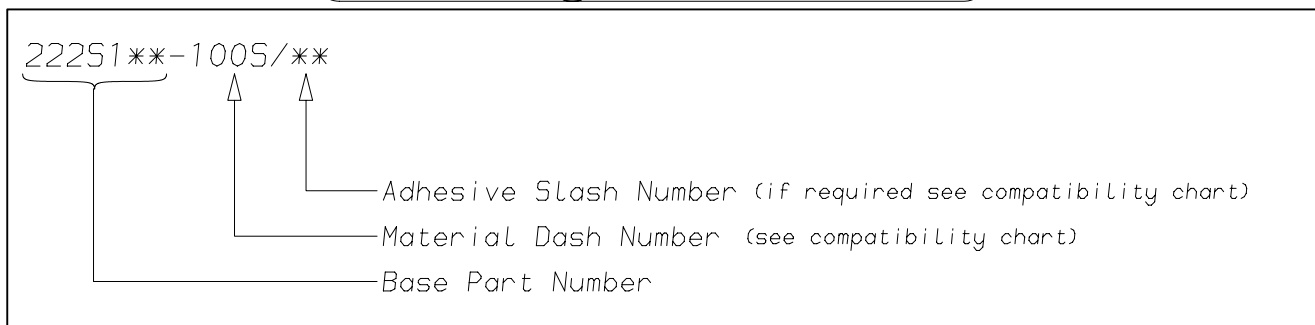
Conforms to ISO Recommendations
3rd Angle Projection
Not to Scale

Approval Design MKTG. Tech.



Raychem		Specification Control Drawing	Part Number 222S1**-100S Issue 5
Iss.	Date	E.C.R. No.	Details of Change
3	June 1988	4668	Xa changed
4	December 2006	CR06-HM-012	Imperial dimensions added
5	March 2008	CR08-HM-005	Note 2 (RW spec) added

(Ordering Information)



(COMPATIBILITY CHART)

Material Dash Number	Material Description	SPEC Number	Coating Slash Number
-100S	ZEROHALOGEN/COPPER COMPOSITE	RW-2078	/86

NOTES

- ① As supplied dimensions are for uncoated parts, when coating is added entry diameters will reduce by 1.5mm Max.
- ② For method of measuring recovered diameter, see appropriate RW specification (SPEC Number), section 2.2,

Tyco Electronics UK Ltd. Faraday Road, Swindon, Wiltshire, SN3 5HH England Telephone: (01793) 528171 Fax: 572516	Tyco Electronics Corporation 300, Constitution Drive, Menlo Park, CA 94025 USA Telephone (650) 361-3860 Fax: (650) 361-5579
Cage Code K1010	Cage Code 06090